

Product Data Sheet

9295414520  
VKS0154XULCS  
DV6224/2

**ebmpapst**

The engineer's choice



DV6224/2

INDEX

**1 General ..... 3**

**2 Mechanics ..... 3**

2.1 General..... 3

2.2 Connections..... 3

**3 Operating Data ..... 4**

3.1 Electrical Operating Data ..... 4

3.2 Electrical Interface - Output ..... 5

3.3 Electrical Features ..... 6

3.4 Aerodynamics ..... 7

3.5 Sound Data..... 8

**4 Environment..... 8**

4.1 General..... 8

4.2 Climatic Requirements ..... 8

**5 Safety..... 9**

5.1 Electrical Safety ..... 9

5.2 Approval Tests..... 9

**6 Reliability..... 9**

6.1 General..... 9

1 General

|                                     |                        |  |
|-------------------------------------|------------------------|--|
| Fan type                            | Mixed-flow fan         |  |
| Rotating direction looking at rotor | Counterclockwise       |  |
| Airflow direction                   | Air outlet over struts |  |
| Bearing system                      | Ball bearing           |  |
| Mounting position - shaft           | Any                    |  |

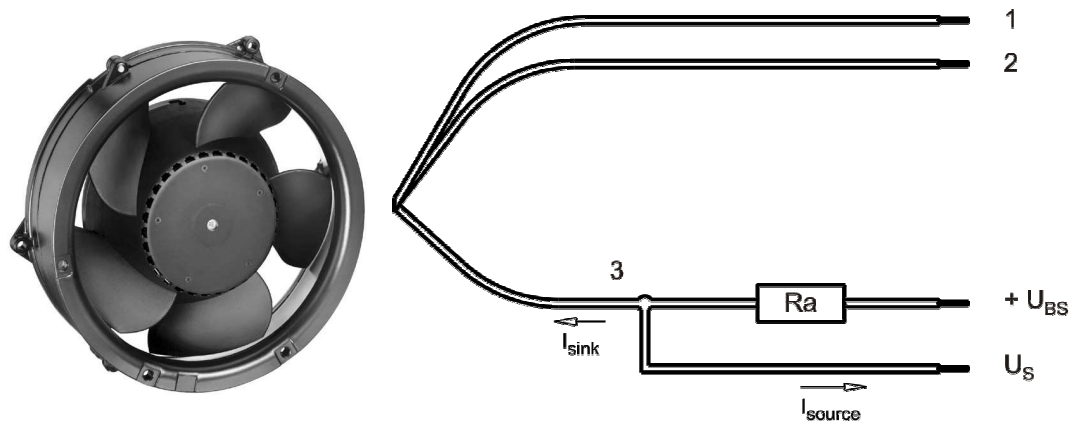
2 Mechanics

2.1 General

|   |   |  |
|---|---|--|
| Depth   | 51,0 mm   |  |
| Diameter  | 172,0 mm  |  |
| Mass  | 0,820 kg  |  |
| Housing material                                      | Metal   |  |
| Impeller material                                     | Plastic   |  |
| Max. torque when mounted across both mounting flanges | Wire outlet corner: 180 Ncm<br>Remaining corners: 180 Ncm               |  |
| Screw size  | ISO 4762 - M4 degreased, without an additional brace and without washer |  |

2.2 Connections

|                       |             |  |
|-----------------------|-------------|--|
| Electrical connection | Wires       |  |
| Lead wire length      | L = 365 mm  |  |
| Tolerance             | + - 10,0 mm |  |
| Tube length           | S = 15 mm   |  |
| Tolerance             | + - 3,0 mm  |  |



| Wire | Color | Operation | Wire size | Insulation diameter |
|------|-------|-----------|-----------|---------------------|
| 1    | red   | + UB      | AWG 22    | 1,7 mm              |
| 2    | blue  | - GND     | AWG 22    | 1,7 mm              |
| 3    | white | Tacho     | AWG 22    | 1,7 mm              |

The auxiliaries shown on the schematic diagram (which are required for the intended use) are not part of our delivery.

### 3 Operating Data

#### 3.1 Electrical Operating Data

Measurement conditions: Normal air density = 1,2 kg/m<sup>3</sup>; Temperature 23°C +/- 3°C; Motor axis horizontal; warm-up time before measuring 5 minutes (unless otherwise specified). In the intake and outlet area should not be any solid obstruction within 0,5 m.

$\Delta p = 0$ : corresp. to free air flow (see chapter aerodynamics)  
I: corresp. to arithm. mean current value

Note:

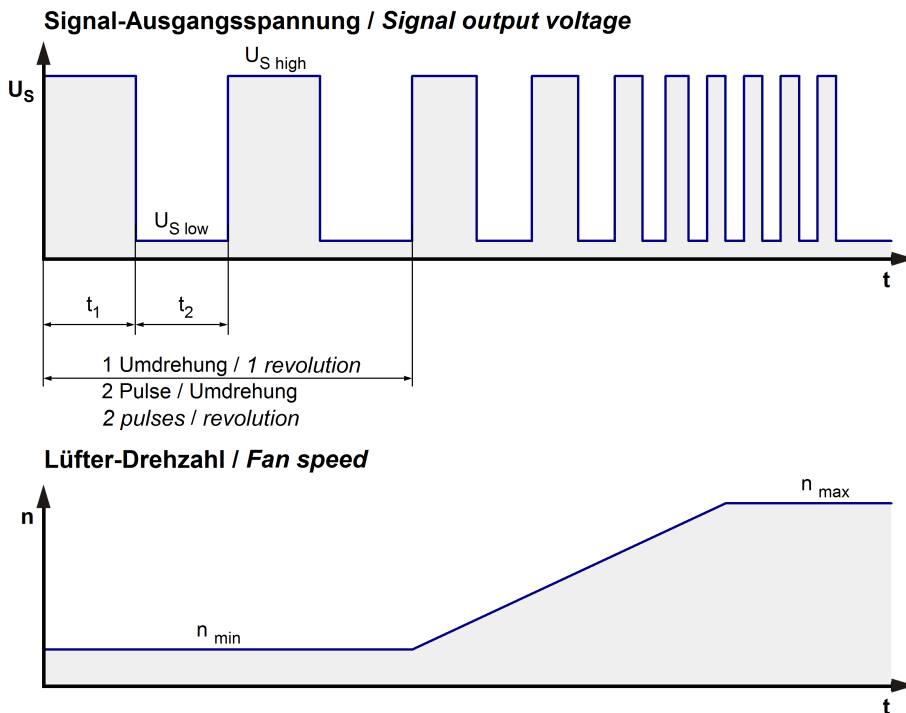
No inrush current at Unom means:

The internal electrolytic capacitor 120uF/50V has no resistor or inrush current limitation, essentially the power supply and the type and length of the connecting cable is limiting the Inrush current.

| Features                     | Condition      | Symbol         | Values      |             |             |
|------------------------------|----------------|----------------|-------------|-------------|-------------|
| Voltage range                |                | U              | 18 V        |             | 28,0 V      |
| Nominal voltage              |                | U <sub>N</sub> |             | 24,0 V      |             |
| Power consumption            | $\Delta p = 0$ | P              | 17,6 W      | 37 W        | 53,8 W      |
| Tolerance                    | 0010           |                | +/- 20 %    | +/- 15,0 %  | +/- 15,0 %  |
| Current consumption          | $\Delta p = 0$ | I              | 1.100 mA    | 1.540 mA    | 1.920 mA    |
| Tolerance                    | 0010           |                | +/- 20,0 %  | +/- 15,0 %  | +/- 15,0 %  |
| Speed                        | $\Delta p = 0$ | n              | 3.050 1/min | 4.300 1/min | 4.700 1/min |
| Tolerance                    | 0010           |                | +/- 10,0 %  | +/- 7,5 %   | +/- 7,5 %   |
| Starting current consumption |                |                |             | 3.500 mA    |             |

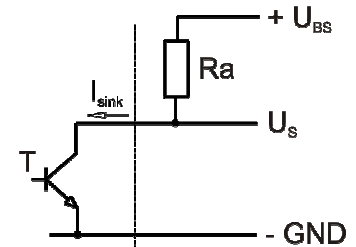
3.2 Electrical Interface - Output

|            |                     |
|------------|---------------------|
| Tacho type | /2 (open collector) |
|------------|---------------------|



$$R_a = \frac{U_{BS} - U_{S\ low}}{I_{sink}}$$

Lüfter / Fan      Kunde / Customer

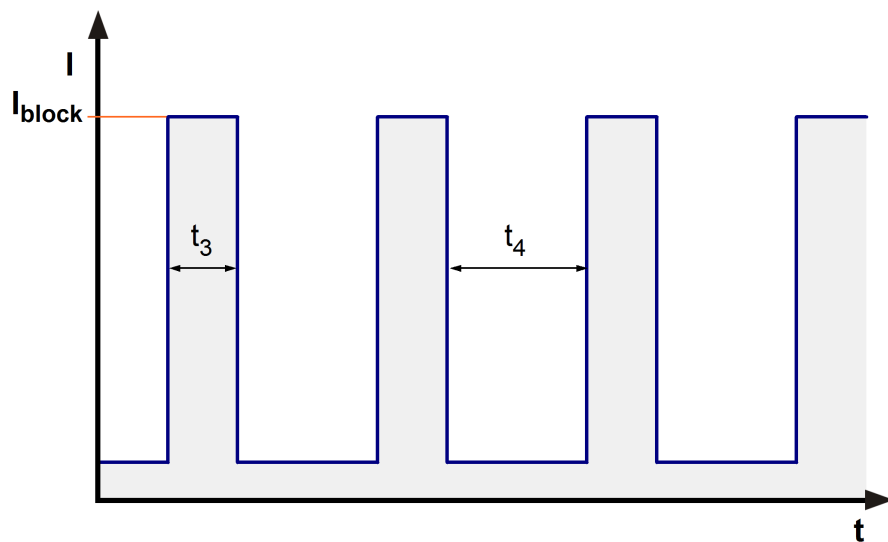


| Features                | Note   | Values                     |
|-------------------------|--|----------------------------|
| Tacho operating voltage | $U_{BS}$   | $\leq 60,0\ V$             |
| Tacho signal Low        | $U_{S\ low}$   | $\leq 0,4\ V$              |
| Maximum sink current    | $I_{sink}$   | 100 mA                     |
| External resistor       | External resistor $R_a$ from $U_{BS}$ to $U_s$ required. All voltages measured to GND. |                            |
| Tacho frequency         | $(2 \times n) / 60$  |                            |
| Slew rate               |  | $\Rightarrow 0,5\ V/\mu s$ |

$n$  = revolutions per minute (1/min)

## 3.3 Electrical Features

|                                |                                     |  |
|--------------------------------|-------------------------------------|--|
| Electronic function            | None                                |  |
| Reversed polarity protection   | Rectifying diode                    |  |
| Max. residual current at $U_N$ | $I_F < 10 \text{ mA}$               |  |
| Locked rotor protection        | Auto restart                        |  |
| Locked rotor current at $U_N$  | $I_{\text{block}}$ approx. 4.000 mA |  |
| Clock signal at locked rotor   | $t_3 / t_4$ typical: 1,4 s / 5,3 s  |  |

**Internal Fuse:**

Littlefuse NANO2(R) FUSE; Very fast acting 451 Series; 4 A (Art.-Nr.: 451004.MLR)

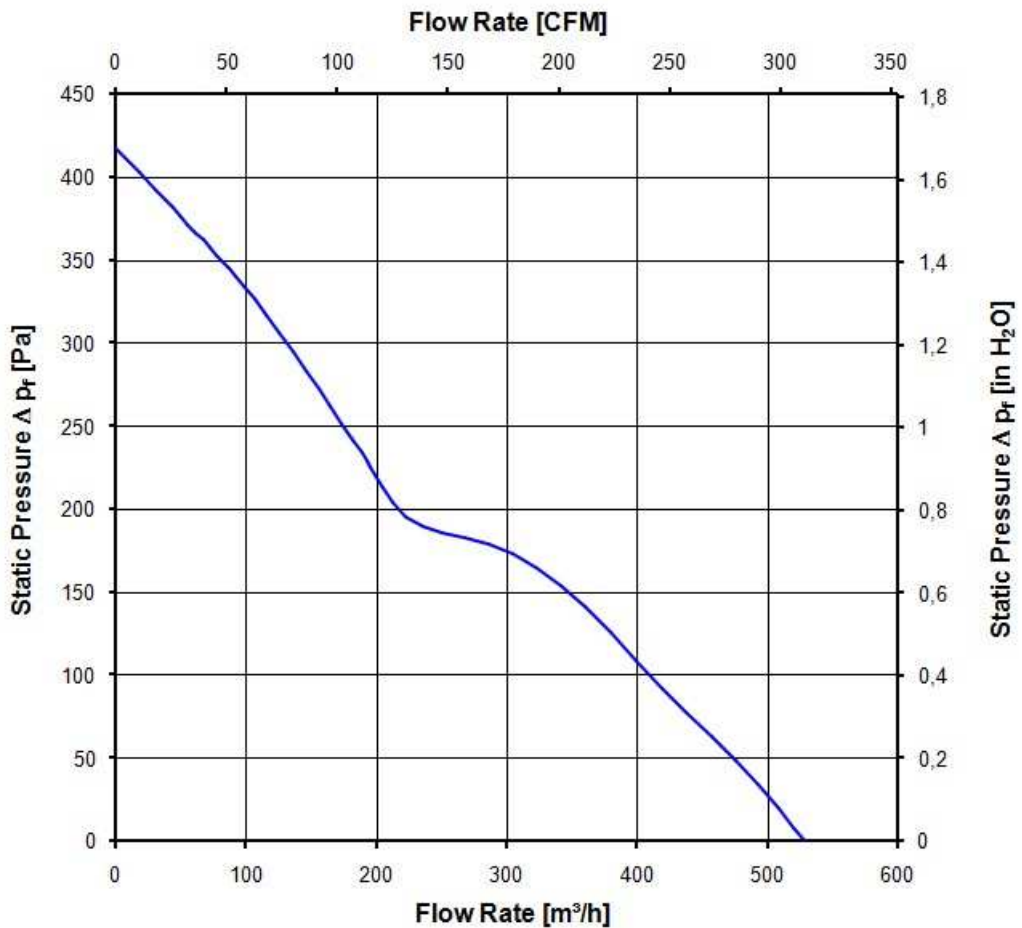
3.4 Aerodynamics

Measurement conditions: Measured with a double chamber intake rig acc. to DIN EN ISO 5801. Normal air density = 1,2 kg/m<sup>3</sup>; Temperature 23°C +/- 3°C; In the intake and outlet area should not be any solid obstruction within 0,5 m. Motor shaft horizontal. The information is only valid under the specified test conditions and may be changed by the installation conditions. If there are deviations from the standard test conditions, the characteristic values must be checked under the installed conditions.

a.) Operation condition:

4.300 1/min at free air flow

|   |                         |  |
|---|-------------------------|--|
| Max. free-air flow ( $\Delta p = 0 / \dot{V} = \text{max.}$ )   | 530,0 m <sup>3</sup> /h |  |
| Max. static pressure ( $\Delta p = \text{max.} / \dot{V} = 0$ ) | 415 Pa                  |  |



### 3.5 Sound Data

Measurement conditions: Sound pressure level: 1 meter distance between microphone and the air intake.  
Sound power level: Acc. to DIN 45635 part 38 (ISO 10302)  
Measured in a semianchoic chamber with a background noise level of  $L_p(A) < 5 \text{ dB(A)}$   
For further measurement conditions see chapter aerodynamics.

a.) Operation condition:

|   |                                  |  |
|---|----------------------------------|--|
| 4.300 1/min at free air flow                                    |                                  |  |
| Optimal operating point   | 370,0 m <sup>3</sup> /h @ 120 Pa |  |
| Sound power level at the optimal operating point                | 7,3 bel(A)                       |  |
| Sound pressure level at free air flow, measured in rubber bands | 65,0 dB(A)                       |  |

## 4 Environment

### 4.1 General

|  |        |  |
|--|--------|--|
| Min. permitted ambient temperature TU min. | -20 °C |  |
| Max. permitted ambient temperature TU max. | 75 °C  |  |
| Min. permitted storage temperature TL min. | -40 °C |  |
| Max. permitted storage temperature TL max. | 80 °C  |  |

### 4.2 Climatic Requirements

|                       |   |  |
|-----------------------|---|--|
| Humidity requirements | humid heat, constant; according to DIN EN 60068-2-78, 14 days |  |
| Water exposure        | None  |  |
| Dust requirements     | None  |  |
| Salt fog requirements | None  |  |

Permitted application area:

The product is intended for use in sheltered rooms with controlled temperature and controlled humidity. Directly exposure to water must be avoided.

Pollution degree 1 (according DIN EN 60664-1)

There is either no pollution or it occurs only dry, non-conductive pollution. The pollution has no negative impact.

Please require severity levels and specification parameters from the responsible development departments.



**5 Safety****5.1 Electrical Safety**

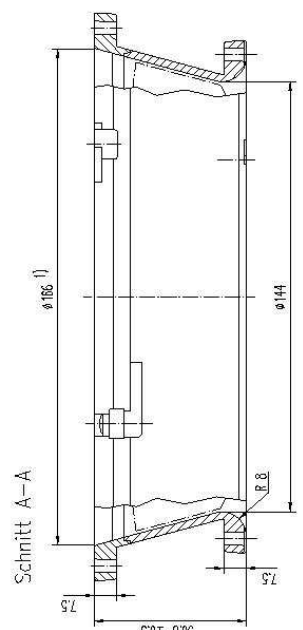
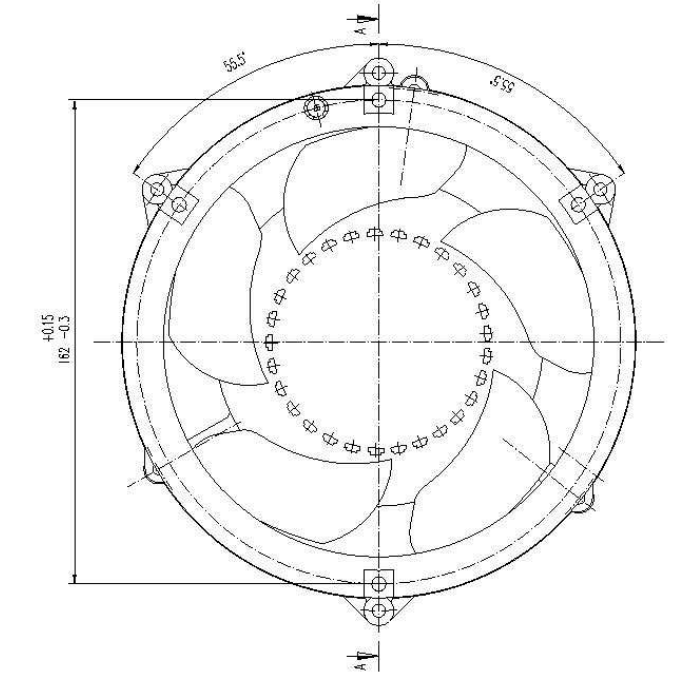
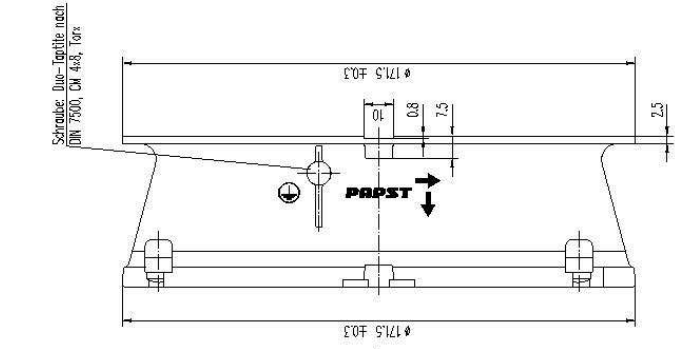
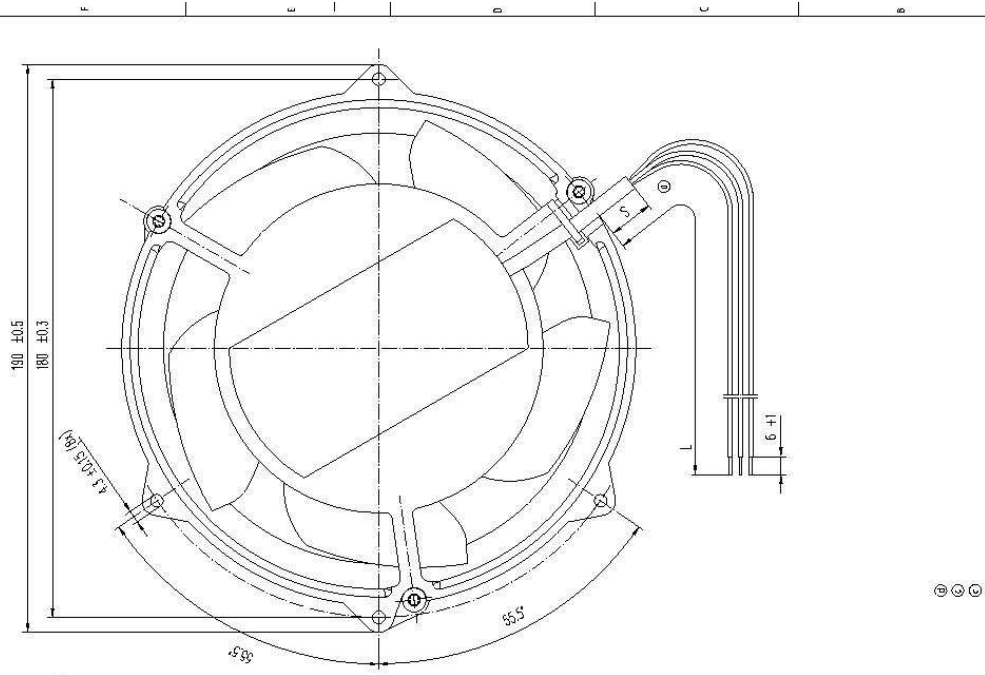
|  |                  |  |
|--|------------------|--|
| Dielectric strength<br>DIN EN 60950 (VDE 0805) and DIN EN 60335 (VDE 0700)<br>A.) Type test<br>Measuring conditions: After 48h of storage at 95% R.H. and 25°C.<br>No arcing or breakdown is allowed!<br>All connections together to ground. | 500 VAC / 1 Min. |  |
| B.) Routine test<br>Measuring conditions: At indoor climate.<br>No arcing or breakdown is allowed!<br>All connections together to ground.  | 850 VDC / 1 Sec. |  |
| Isolation resistance<br>Measuring conditions: After 48h of storage at 95% R.H. and 25°C measured with U=500 VDC for 1 min.   | RI > 10 MOhm     |  |
| Clearance / creepage distance  | 1,0 mm / 1,2 mm  |  |
| Protection class   | III              |  |

**5.2 Approval Tests**

|     |   |   |
|-----|---|---|
| CE  | EC Declaration of Conformity  | Yes   |
| EAC | Eurasian Conformity   | Yes   |
| UL  | Underwriters Laboratories   | Yes / UL507, Electric Fans E38324   |
| VDE | Association for Electrical, Electronic and Information Technologies | Yes / Approval acc. to EN 60950 (VDE 0805) - Information technology equipment |
| CSA | Canadian Standards Association                                      | Yes / C22.2 No. 113 Fans and Ventilators                                      |
| CCC | China Compulsory Certification                                      | Not applicable  |

**6 Reliability****6.1 General**

|                                   |          |  |
|-----------------------------------|----------|--|
| Life expectancy L10 at TU = 40 °C | 90.000 h |  |
| Life expectancy L10 at TU max.    | 40.000 h |  |



Anzahl und Länge der Litzen s. Bv. Bl. 1 ☉

Ⓢ  
Ⓢ  
Ⓢ

|                                       |  |                            |  |                                       |  |            |  |
|---------------------------------------|--|----------------------------|--|---------------------------------------|--|------------|--|
| Festlegung:<br>DIN 7167               |  | DIN ISO 2768-mK            |  | Artikel                               |  | Hersteller |  |
| Abweichungen:<br>DIN 7167             |  | DIN 7167                   |  | Name                                  |  |            |  |
| a                                     |  | Essen                      |  |                                       |  |            |  |
| b                                     |  | Essen                      |  |                                       |  |            |  |
| c                                     |  | Essen                      |  |                                       |  |            |  |
| d                                     |  | Essen                      |  |                                       |  |            |  |
| Zucl. Nr. 1010                        |  | Papst-Industrie GmbH Co KG |  | Zucl. Nr.                             |  | Blatt      |  |
| Für Verwendung in Verkehr freigegeben |  | Papst-Industrie GmbH Co KG |  | Für Verwendung in Verkehr freigegeben |  | Erl. Zög.  |  |
| am                                    |  | an                         |  | am                                    |  | an         |  |

1) Durchmesser für Montagewand  
Axialspiel: mit Feder spielfrei verspannt

Copyright reserved. All rights reserved. No part of this document may be reproduced, stored in a retrieval system, or transmitted in any form or by any means, electronic, mechanical, photocopying, recording, or by any information storage and retrieval system, without the prior written permission of the copyright owner.