

DV 4118 N

DC diagonal compact fan

sickle-shaped blades (S series)



ebm-papst St. Georgen GmbH & Co. KG

Hermann-Papst-Str. 1

D-78112 St. Georgen

Phone +49 (0) 7724 81-0

Fax +49 (0) 7724 81-1309

sales@fansco.com

www.fansco.com

Nominal data

| Type | DV 4118 N | |
|--------------------------|-------------------|----------|
| Nominal voltage | VDC | 48 |
| Nominal voltage range | VDC | 36 .. 60 |
| Speed (rpm) | min ⁻¹ | 6000 |
| Power consumption | W | 20 |
| Min. ambient temperature | °C | -20 |
| Max. ambient temperature | °C | 65 |
| Air flow | m ³ /h | 280 |
| Sound power level | B | 6.9 |
| Sound pressure level | dB(A) | 61 |

ml = Max. load · me = Max. efficiency · fa = Free air · cs = Customer specification · ce = Customer equipment
Subject to change

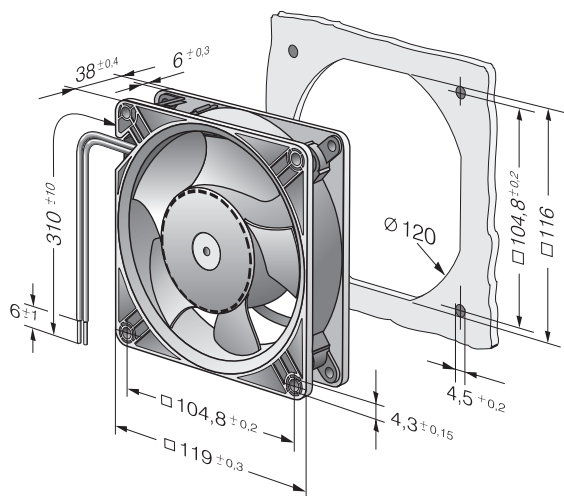


Technical description

| | |
|--|---|
| General description | * Power consumption when wide open; these values may be considerably higher at the operating point. |
| Weight | 0.375 kg |
| Dimensions | 119 x 119 x 38 mm |
| Impeller material | Glass-fiber reinforced PA plastic. |
| Housing material | Aluminum with grounding lug for M4 x 8 screw (Torx). |
| Airflow direction | Exhaust over struts |
| Direction of rotation | Counterclockwise, viewed toward rotor |
| Storage | Ball bearing |
| Service life L10 at 40 °C | 70000 h |
| Service life L10 at maximum temperature | 40000 h |
| Cable | Leads AWG 22, TR 64, stripped and tin-plated. |
| Motor protection | Protection against reverse polarity and blocked rotor. |
| Locked-rotor protection | With electronic locked-rotor and overload protection |
| Approval | VDE, CSA, UL, CE |
| Option | Vario-Pro fan |



Product drawing



Curves: Air performance

