

DV4114/2N-900- DC Mixed Flow Fan

119 mm mixed flow fan with very high air performance. The DC drive employs an electronically commutated external rotor motor with high efficiency. Drive electronics is completely integrated into the fan hub.



Features

- Electronic protection against reverse polarity, blocking and overloading of the fan.
- Air exhaust over struts.
- Metal fan housing, impeller made of fibreglass reinforced plastic PA.
- Open collector tacho output with 2 pulses per revolution.
- Electrical connection via 2 leads, AWG 22, 310mm long.
 Red: +12VDC
 Blue: GND
 White: /2 Tacho output

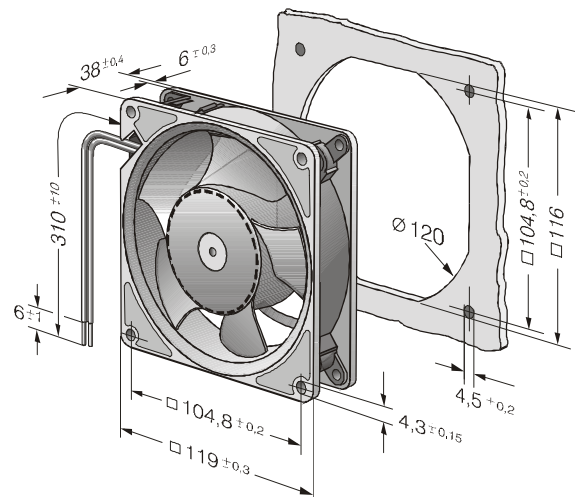
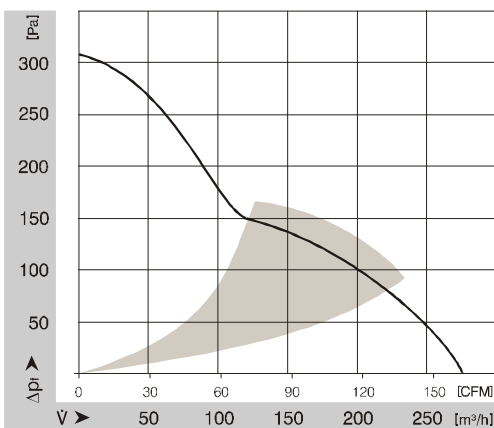
Patents granted or applied for.

General Data

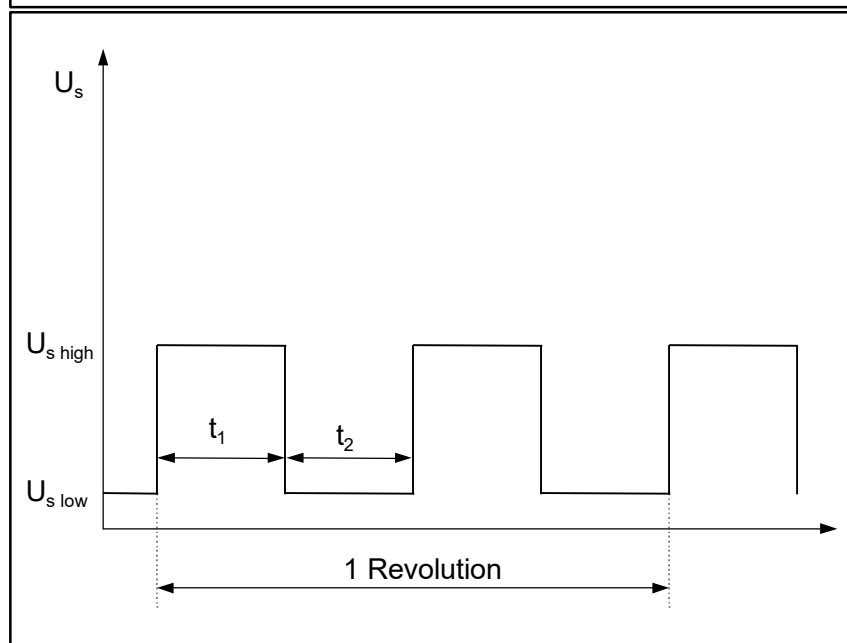
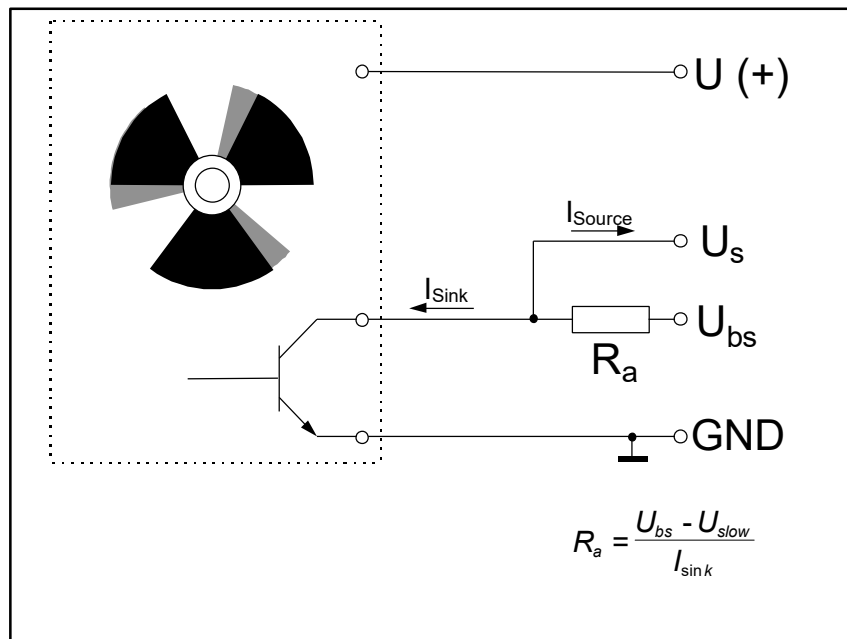
Nominal voltage	V DC	24
Voltage range	V DC	16 ...26,4
Nominal speed	min ⁻¹	6100
Max. flow rate	m ³ /h	275
Max. flow rate	CFM	161,9
Noise free air	dB(A)	60
Noise in optimum operating range	bels	6,7
Power consumption	W	22
Permanent ambient temperature at max. voltage	°C	-20 ... +65
Service life at +40°C	h	70.000
Service life at +65°C	h	40.000
Approvals	applied for	
Fan housing / impeller	Metal / PA 6.6	
Bearing system	Ball bearings	
Mass	g	450

All data are average values at nominal conditions.

Subject to change without further notice.



Tacho Output Signal „/2“:



Output	2 pulses per revolution
U_{bs}	4...30 V DC
$U_{s \text{ high}}$	4...30 V DC at $I_{source} = 0 \text{ mA}$
$U_{s \text{ low}}$	$\leq 0,5 \text{ V DC}$ at $I_{sink} = 2 \text{ mA}$
$I_{sink \text{ max}}$	$= 2 \text{ mA}$
t_1 / t_2	0,8...1,2