

D4E225-CC01-48

# AC centrifugal fan

forward-curved, dual-intake  
with housing (large flange)



## ebm-papst Mulfingen GmbH & Co. KG

Bachmühle 2 · D-74673 Mulfingen

Phone +49 7938 81-0

Fax +49 7938 81-110

sales@fansco.com

www.fansco.com

Limited partnership · Headquarters Mulfingen

Amtsgericht (court of registration) Stuttgart · HRA 590344

General partner Elektrobau Mulfingen GmbH · Headquarters Mulfingen

Amtsgericht (court of registration) Stuttgart · HRB 590142

## Nominal data

Type	D4E225-CC01-48		
Motor	M4E074-LA		
Phase		1~	1~
Nominal voltage	VAC	230	230
Frequency	Hz	50	60
Method of obtaining data		ml	ml
Valid for approval/standard		-	-
Speed (rpm)	min <sup>-1</sup>	1150	1300
Power consumption	W	650	625
Current draw	A	2.84	2.75
Capacitor	µF	25	16
Capacitor voltage	VDB	400	400
Capacitor standard		S2 (CE)	S2 (CE)
Min. back pressure	Pa	100	300
Min. back pressure	inH <sub>2</sub> O	0.4	1.2
Min. ambient temperature	°C	-25	-25
Max. ambient temperature	°C	50	50
Starting current	A	4.5	

ml = Max. load · me = Max. efficiency · fa = Free air · cs = Customer specification · ce = Customer equipment  
Subject to change



# AC centrifugal fan

forward-curved, dual-intake  
with housing (large flange)

## Technical description

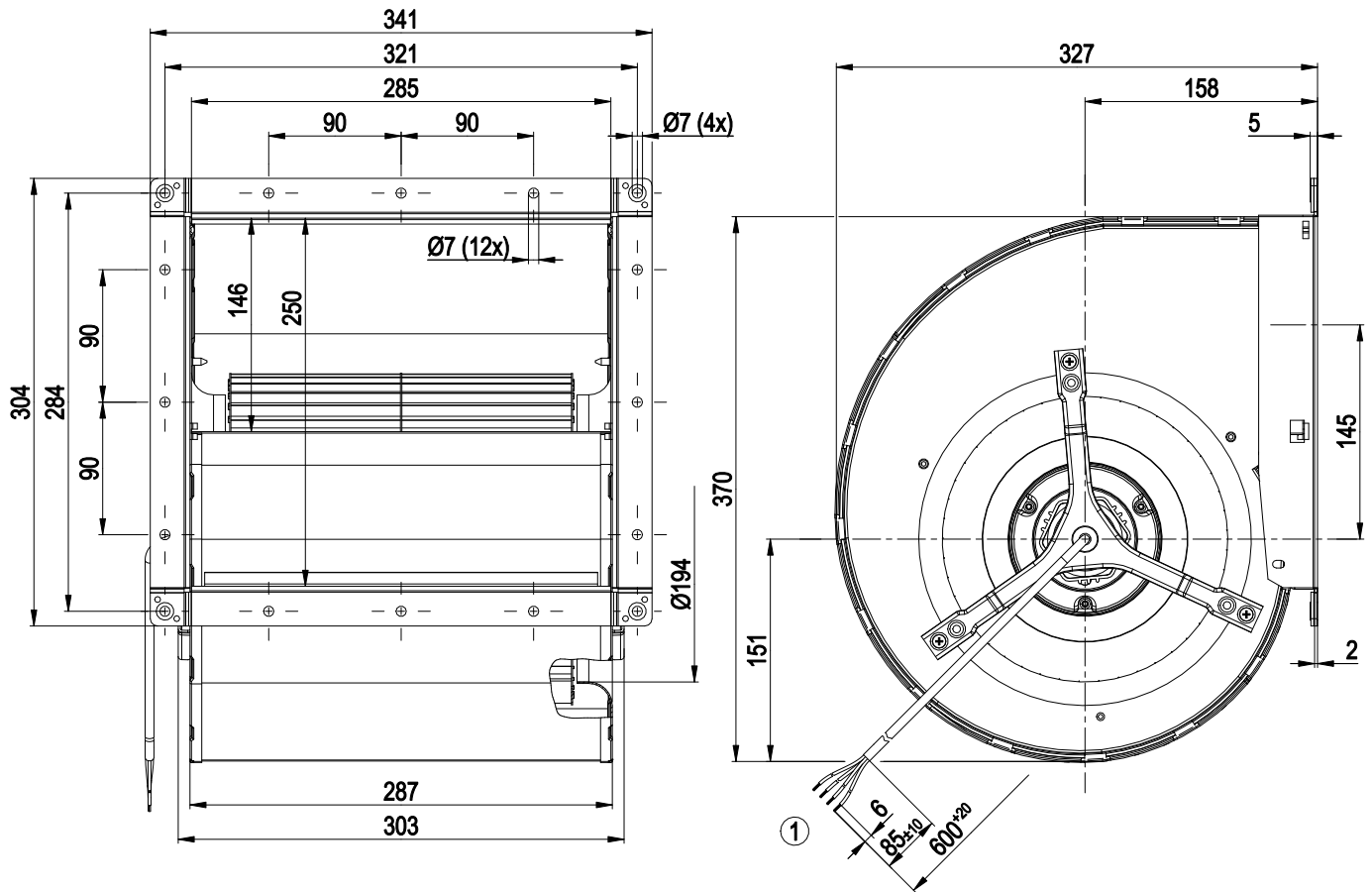
<b>Weight</b>	13 kg
<b>Fan size</b>	225 mm
<b>Rotor surface</b>	Painted black
<b>Impeller material</b>	Sheet steel, galvanized
<b>Housing material</b>	Sheet steel, galvanized
<b>Motor suspension</b>	Motor vibration-damped on both sides
<b>Direction of rotation</b>	Counterclockwise, viewed toward rotor
<b>Degree of protection</b>	IP22
<b>Insulation class</b>	"F"
<b>Moisture (F) / Environmental (H) protection class</b>	F2-1
<b>Max. permitted ambient temp. for motor (transport/storage)</b>	+ 80 °C
<b>Min. permitted ambient temp. for motor (transport/storage)</b>	- 40 °C
<b>Installation position</b>	Any
<b>Condensation drainage holes</b>	None
<b>Mode</b>	S1
<b>Motor bearing</b>	Ball bearing
<b>Touch current according to IEC 60990 (measuring circuit Fig. 4, TN system)</b>	< 0.75 mA
<b>Motor protection</b>	Thermal overload protector (TOP) internally connected
<b>With cable</b>	Axial
<b>Protection class</b>	I (with customer connection of protective earth)
<b>Approval</b>	CSA C22.2 No. 100; UL 1004-1



# AC centrifugal fan

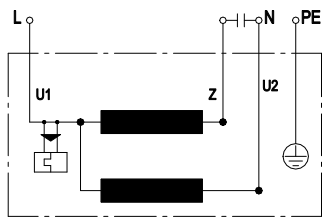
forward-curved, dual-intake  
with housing (large flange)

## Product drawing



1 Cable PFA AWG20 (green/yellow AWG18), 4x crimped splices

## Connection diagram



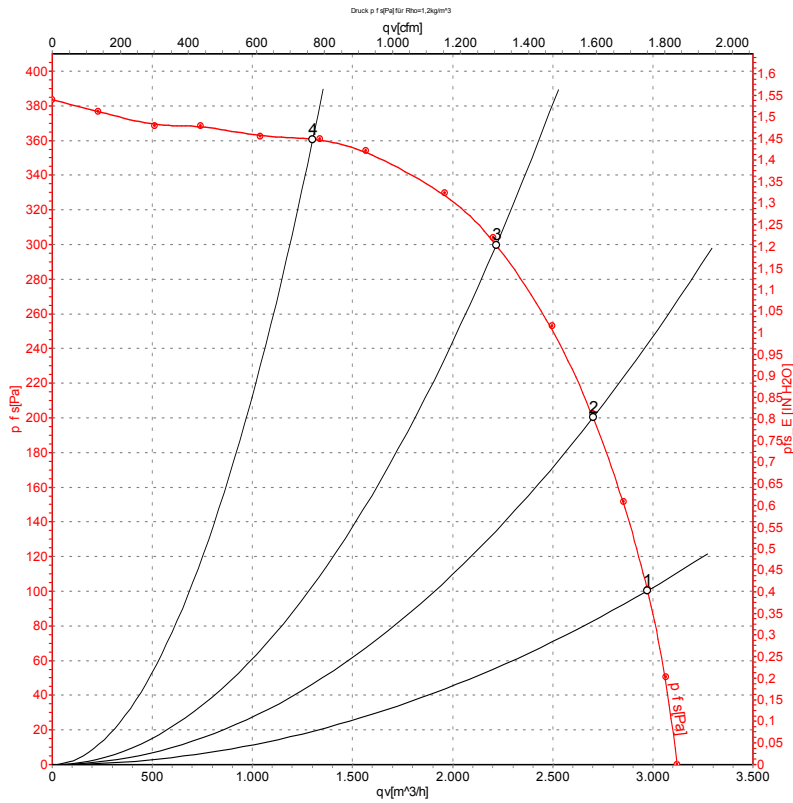
U1	blue	Z	brown	U2	black
PE	green/yellow				



# AC centrifugal fan

forward-curved, dual-intake  
with housing (large flange)

## Curves: Air performance 50 Hz



Measurement: LU-35314-1

Air performance measured according to ISO 5801 installation category A. For detailed information on the measurement setup, contact ebm-papst. Intake sound level: Sound power level according to ISO 13347 / sound pressure level measured at 1 m distance from fan axis. The values given are valid under the specified measuring conditions and may vary due to conditions of installation. For deviations from the standard configuration, the parameters have to be checked on the installed unit.

## Measured values

	U	f	n	P <sub>e</sub>	I	q <sub>v</sub>	P <sub>is</sub>	q <sub>v</sub>	P <sub>is</sub>
	V	Hz	min <sup>-1</sup>	W	A	m <sup>3</sup> /h	Pa	cfm	inH <sub>2</sub> O
1	230	50	1150	783	3.42	2975	100	1750	0.40
2	230	50	1195	689	3.05	2700	200	1590	0.80
3	230	50	1300	581	2.65	2215	300	1305	1.20
4	230	50	1395	445	2.15	1300	360	765	1.45

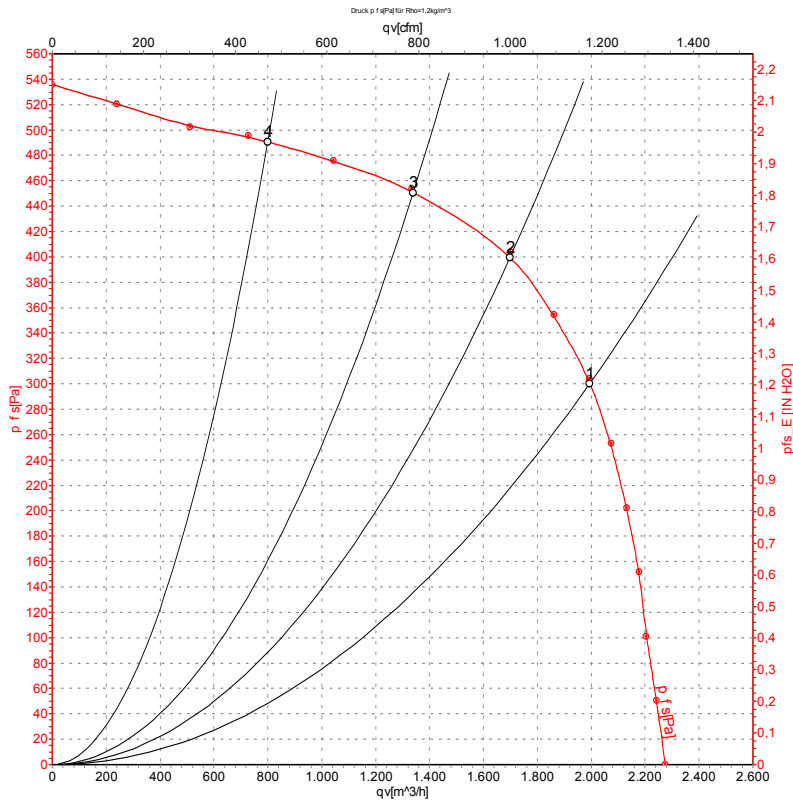
U = Power supply · f = Frequency · n = Speed (rpm) · P<sub>e</sub> = Power consumption · I = Current draw · q<sub>v</sub> = Air flow · P<sub>is</sub> = Pressure increase



# AC centrifugal fan

forward-curved, dual-intake  
with housing (large flange)

## Curves: Air performance 60 Hz



Measurement: LU-35316-1

Air performance measured according to ISO 5801 installation category A. For detailed information on the measurement setup, contact ebm-papst. Intake sound level: Sound power level according to ISO 13347 / sound pressure level measured at 1 m distance from fan axis. The values given are valid under the specified measuring conditions and may vary due to conditions of installation. For deviations from the standard configuration, the parameters have to be checked on the installed unit.

## Measured values

	U	f	n	P <sub>e</sub>	I	q <sub>v</sub>	P <sub>fs</sub>	q <sub>v</sub>	P <sub>fs</sub>
	V	Hz	min <sup>-1</sup>	W	A	m <sup>3</sup> /h	Pa	cfm	inH <sub>2</sub> O
1	230	60	1300	625	2.75	1995	300	1175	1.20
2	230	60	1465	553	2.43	1700	400	1000	1.61
3	230	60	1565	474	2.13	1340	450	790	1.81
4	230	60	1645	390	1.83	800	490	470	1.97

U = Power supply · f = Frequency · n = Speed (rpm) · P<sub>e</sub> = Power consumption · I = Current draw · q<sub>v</sub> = Air flow · p<sub>fs</sub> = Pressure increase

