

D4E133-DH01-J2

## AC centrifugal fan

forward curved, dual inlet  
with housing (without flange)



**ebm-papst Mulfingen GmbH & Co. KG**

Bachmühle 2

D-74673 Mulfingen

Phone +49 7938 81-0

Fax +49 7938 81-110

sales@fansco.com

www.fansco.com

### Nominal data

Type	D4E133-DH01-J2		
Motor	M4E068-BF		
Phase		1~	1~
Nominal voltage	VAC	230	230
Frequency	Hz	50	60
Type of data definition		rfa	rfa
Valid for approval / standard		CE	CE
Speed	min <sup>-1</sup>	1080	1100
Power input	W	73	83
Current draw	A	0.33	0.37
Motor capacitor	µF	2	2
Capacitor voltage	VDB	400	400
Min. back pressure	Pa	0	0
Max. ambient temperature	°C	40	40

ml = max. load · me = max. efficiency · rfa = running at free air · cs = customer specs · cu = customer unit  
Subject to alterations

# AC centrifugal fan

forward curved, dual inlet  
with housing (without flange)

## Technical features

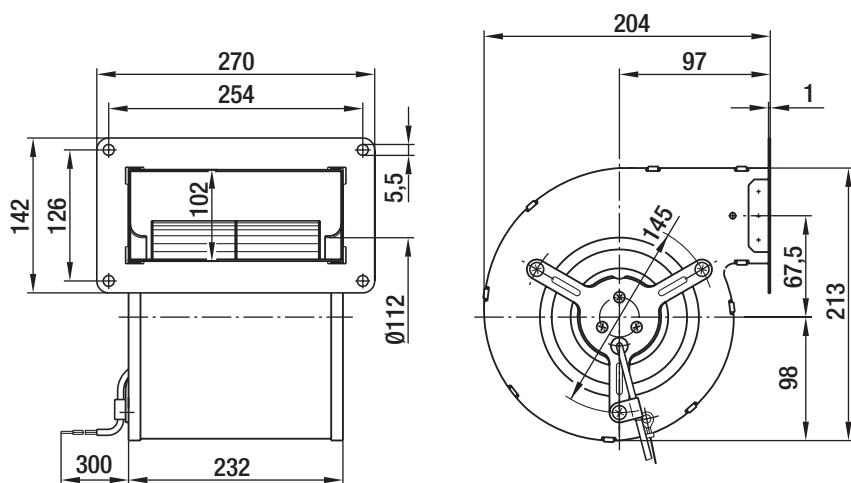
Leakage current	< 0.75 mA
Size	133 mm
Operation mode	S1
Direction of rotation	Clockwise, seen on rotor
Mounting position	Any
Humidity class	F0
Insulation class	"B"
Condensate discharge holes	None
Motor bearing	Ball bearing
Mass	2.53 kg
Housing material	Sheet steel, hot-galvanised
Material of impeller	Plastic PA6, fibreglass-reinforced
Motor suspension	Motor mounted via bracket on one side
Motor protection	Thermal overload protector (TOP) wired internally
Product conforming to standard	CE; EN 60335-1
Surface of rotor	Uncoated
Type of protection	IP 44; Depending on installation and position
Protection class	I
Max. permissible ambient motor temp. (transp./ storage)	+ 80 °C
Min. permissible ambient motor temp. (transp./storage)	- 40 °C
Approval	CCC

D4E133-DH01-J2

# AC centrifugal fan

forward curved, dual inlet  
with housing (without flange)

## Product drawing

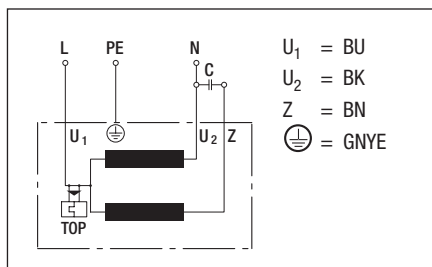


D4E133-DH01-J2

# AC centrifugal fan

forward curved, dual inlet  
with housing (without flange)

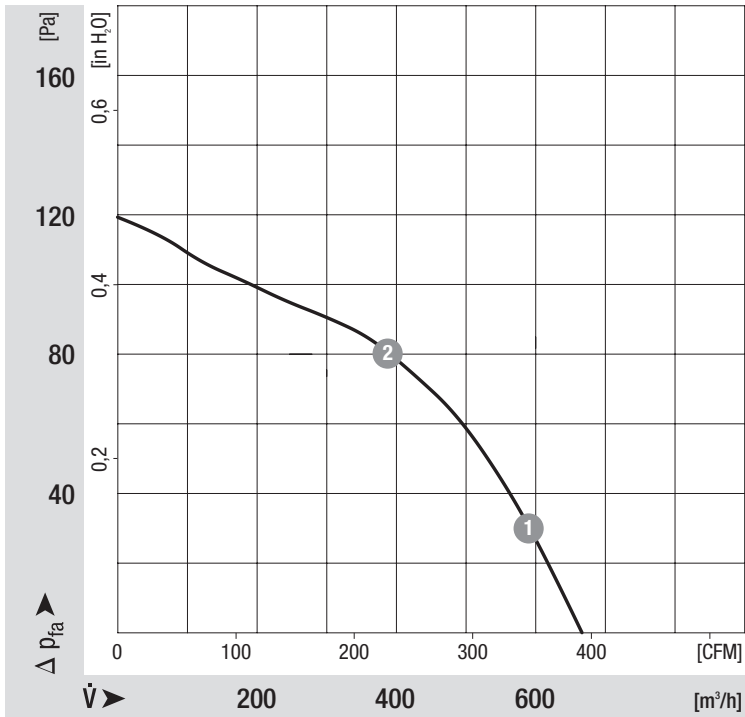
## Connection screen



## AC centrifugal fan

forward curved, dual inlet  
with housing (without flange)

## Charts: Air flow 50 Hz



## Measured values

	n	P <sub>e</sub>	I
	min <sup>-1</sup>	W	A
1	1150	69	0.31
2	1300	65	0.30

# AC centrifugal fan

forward curved, dual inlet  
with housing (without flange)

## Charts: Air flow 60 Hz

