

D2E133-AM31-05

AC centrifugal fan

forward-curved

with housing (without flange)

ebm-papst Mulfingen GmbH & Co. KG

Bachmühle 2 · D-74673 Mulfingen

Phone +49 7938 81-0

Fax +49 7938 81-110

sales@fansco.com

www.fansco.com

Limited partnership · Headquarters Mulfingen

Amtsgericht (court of registration) Stuttgart · HRA 590344

General partner Elektrobau Mulfingen GmbH · Headquarters Mulfingen

Amtsgericht (court of registration) Stuttgart · HRB 590142

Nominal data

Type	D2E133-AM31-05	
Motor	M2E068-DF	
Phase		1~
Nominal voltage	VAC	400
Frequency	Hz	50
Method of obtaining data		fa
Valid for approval/standard		CE
Speed (rpm)	min ⁻¹	1500
Power consumption	W	180
Current draw	A	0.46
Capacitor	µF	1.5
Capacitor voltage	VDB	700
Min. back pressure	Pa	0
Min. back pressure	inH ₂ O	0
Min. ambient temperature	°C	-25
Max. ambient temperature	°C	35

ml = Max. load · me = Max. efficiency · fa = Free air · cs = Customer specification · ce = Customer equipment
Subject to change



AC centrifugal fan

forward-curved

with housing (without flange)

Technical description

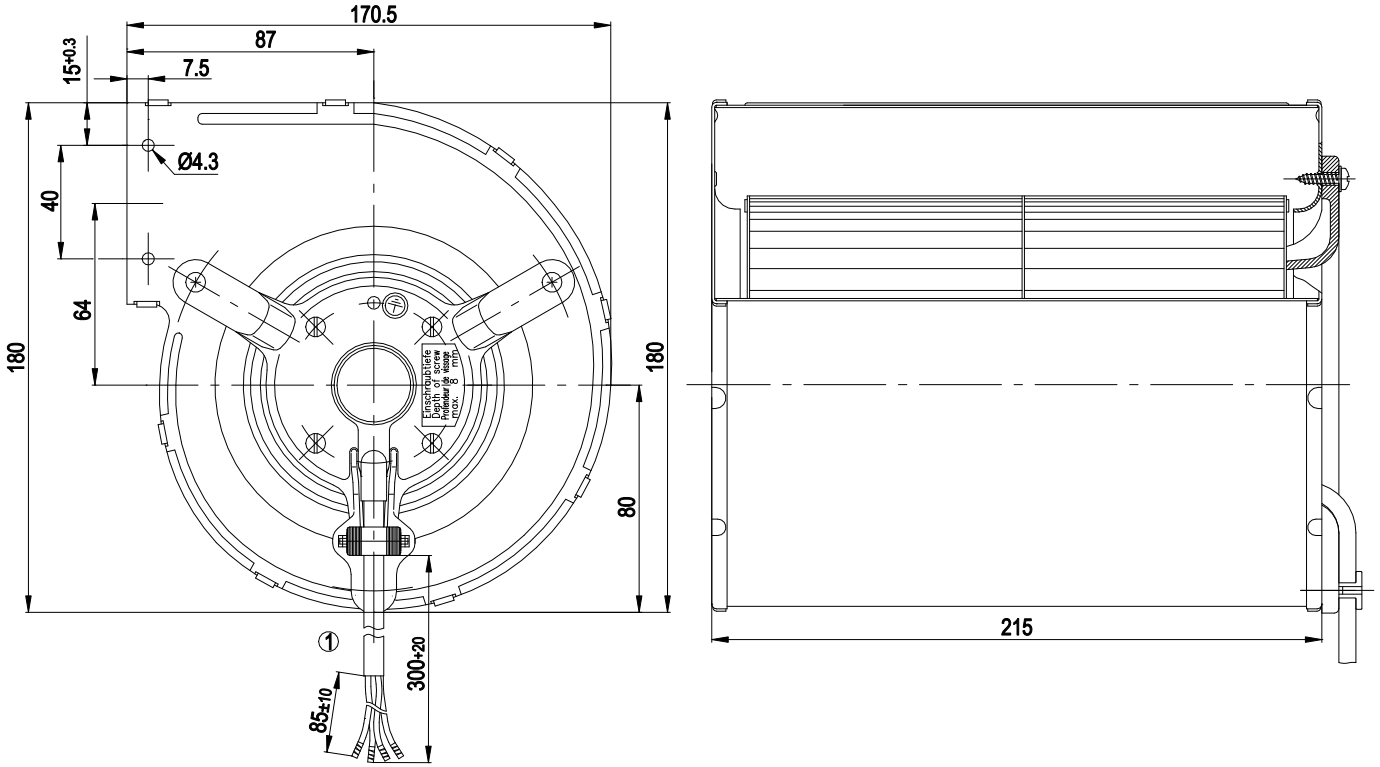
Weight	3.5 kg
Fan size	133 mm
Impeller material	Sheet steel, hot-dip galvanized
Housing material	Sheet steel, hot-dip galvanized
Motor suspension	Motor mounted with brackets on one side
Direction of rotation	Clockwise, viewed toward rotor
Degree of protection	IP44
Insulation class	"B"
Moisture (F) / Environmental (H) protection class	F1-1
Max. permitted ambient temp. for motor (transport/storage)	+ 80 °C
Min. permitted ambient temp. for motor (transport/storage)	- 40 °C
Installation position	Any
Condensation drainage holes	None
Mode	S1
Motor bearing	Ball bearing
Touch current according to IEC 60990 (measuring circuit Fig. 4, TN system)	< 0.75 mA
With cable	Axial
Conformity with standards	CE



AC centrifugal fan

forward-curved
with housing (without flange)

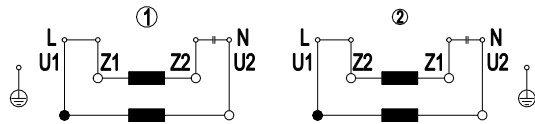
Product drawing



1 Cable PVC 4x 0.5 mm², 4x crimped splices



Connection diagram



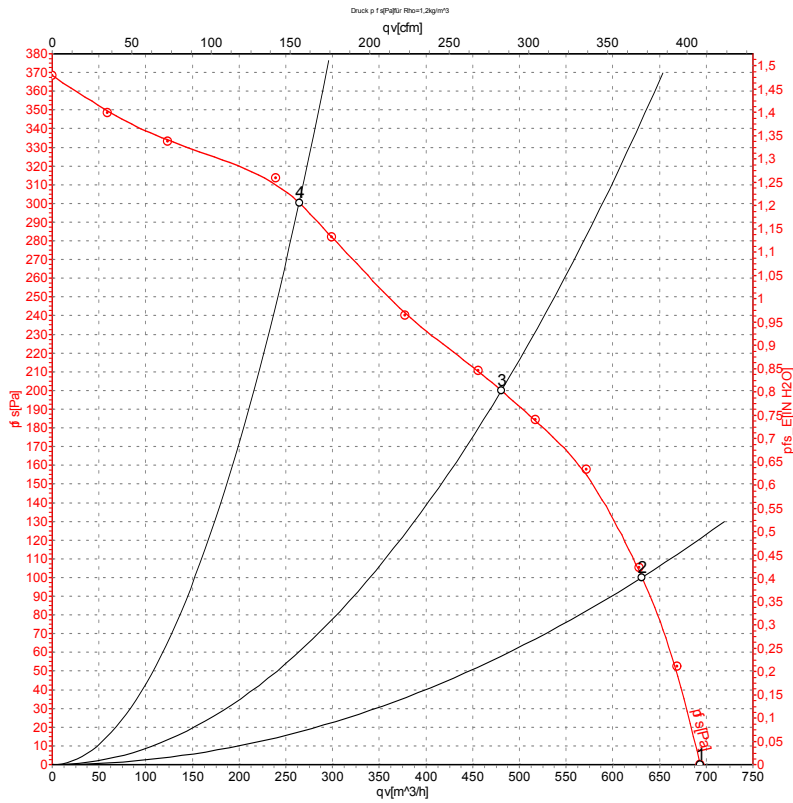
Single-phase AC motor with motor run capacitor

1	Clockwise operation
2	Counterclockwise operation
U1	black
U2	gray
Z1	blue
Z2	brown

AC centrifugal fan

forward-curved
with housing (without flange)

Curves: Air performance 50 Hz



Measurement: LU-60404-1

Air performance measured according to ISO 5801 installation category A. For detailed information on the measurement setup, contact ebm-papst. Intake sound level: Sound power level according to ISO 13347 / sound pressure level measured at 1 m distance from fan axis. The values given are valid under the specified measuring conditions and may vary due to conditions of installation. For deviations from the standard configuration, the parameters have to be checked on the installed unit.

Measured values

	U	f	n	P _e	I	q _v	p _{fs}	q _v	p _{fs}
	V	Hz	min ⁻¹	W	A	m ³ /h	Pa	CFM	inH ₂ O
1	400	50	1500	180	0.46	695	0	410	0.00
2	400	50	1900	161	0.40	630	100	370	0.40
3	400	50	2305	134	0.34	480	200	285	0.80
4	400	50	2665	100	0.26	265	300	155	1.20

U = Power supply · f = Frequency · n = Speed (rpm) · P_e = Power consumption · I = Current draw · q_v = Air flow · p_{fs} = Pressure increase

