

**ebm-papst St. Georgen GmbH & Co. KG**

Hermann-Papst-Straße 1

D-78112 St. Georgen

Phone +49 7724 81-0

Fax +49 7724 81-1309

sales@fansco.com

www.fansco.com

**Nominal data**

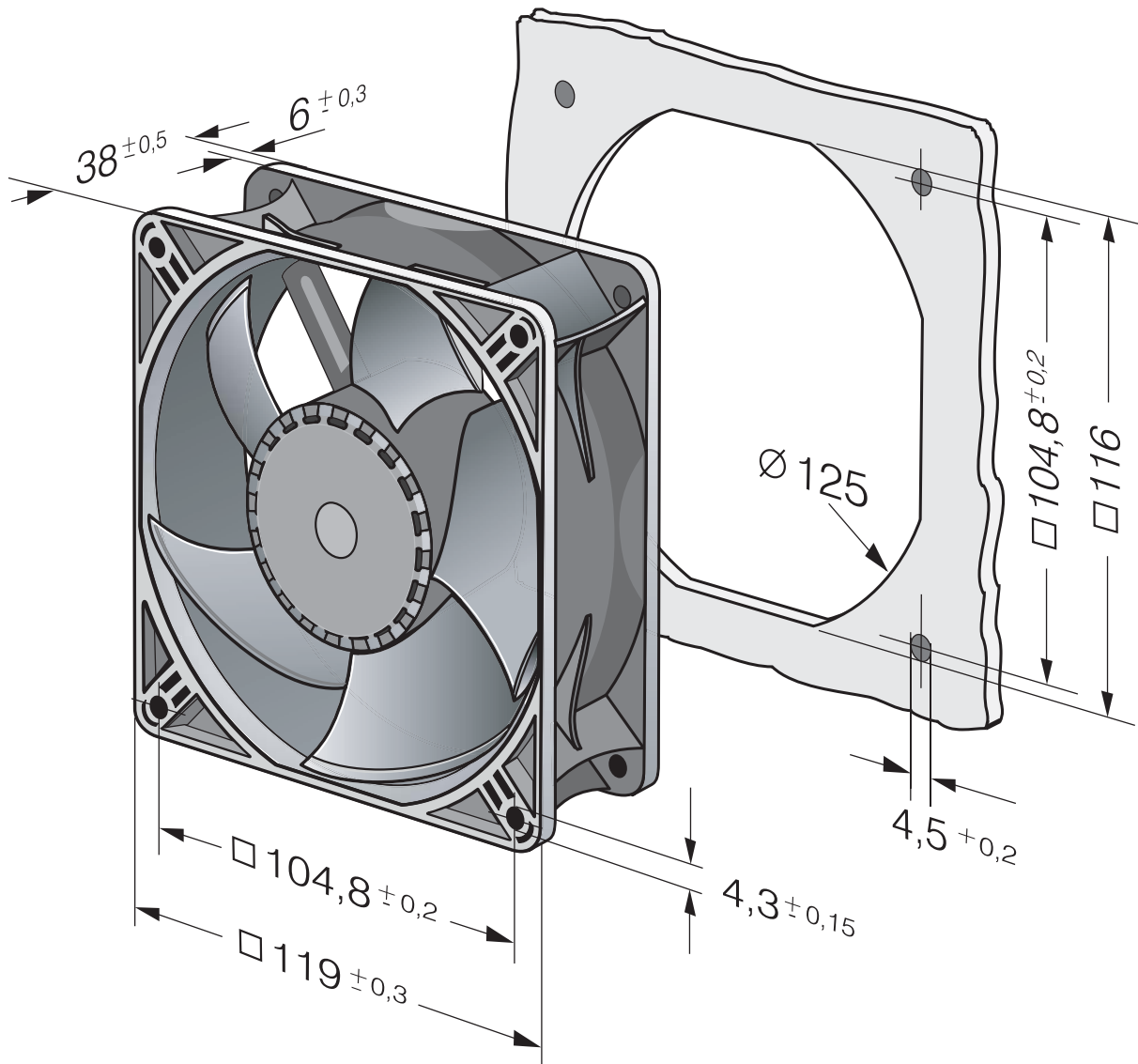
Type	ACI 4420 HH	
Phase		1~
Nominal voltage	VAC	230
Nominal voltage range	VAC	195 .. 265
Frequency	Hz	50
Type of data definition		rfa
Speed	min <sup>-1</sup>	3350
Power input	W	4.4
Min. ambient temperature	°C	-20
Max. ambient temperature	°C	+75
Air flow	m <sup>3</sup> /h	180
Sound power level	B	5.3
Sound pressure level	dB(A)	42

ml = max. load · me = max. efficiency · rfa = running at free air · cs = customer specs · cu = customer unit  
Subject to alterations

## Technical features

<b>General description</b>	<p>Particular design features:</p> <p>Energy-efficient AC voltage fan with EC technology.          Converter electronics and fan electronics fully integrated.          Significantly reduced power consumption compared to conventional AC voltage fans.          Significantly quieter than existing AC voltage fans.          Significantly longer service life than existing AC voltage fans.          Fan speed not dependent on power frequency.</p> <p>General features:</p> <p>Material: fibreglass-reinforced plastic. Impeller PA, housing PBT.          Electronic locked-rotor protection.          Connection via flat plugs 2.8 x 0.5, optionally with strands that are brought out.          Air exhaust over bars. Rotational direction clockwise looking at rotor.          Mass: 250 g.</p>
<b>Mass</b>	0.250 kg
<b>Dimensions</b>	119 x 119 x 38 mm
<b>Material of impeller</b>	Fibreglass-reinforced PA plastic
<b>Housing material</b>	Fibreglass-reinforced PBT plastic
<b>Direction of air flow</b>	Air exhaust over bars
<b>Direction of rotation</b>	Clockwise, looking at rotor
<b>Bearing</b>	Ball bearings
<b>Lifetime L10 at 40 °C</b>	62500 h
<b>Lifetime L10 at maximum temperature</b>	30000 h

## Product drawing



Charts

