

**ebm-papst St. Georgen GmbH & Co. KG**

Hermann-Papst-Str. 1

D-78112 St. Georgen

Phone +49 (0) 7724 81-0

Fax +49 (0) 7724 81-1309

sales@fansco.com

www.fansco.com

**Nominal data**

Type	AC 8300 H	
Phase		1~
Nominal voltage	VAC	115
Nominal voltage range	VAC	85 .. 265
Frequency	Hz	50
Speed (rpm)	min <sup>-1</sup>	5000
Power consumption	W	8.3
Min. ambient temperature	°C	-20
Max. ambient temperature	°C	75
Air flow	m <sup>3</sup> /h	80
Sound power level	B	6.2
Sound pressure level	dB(A)	48

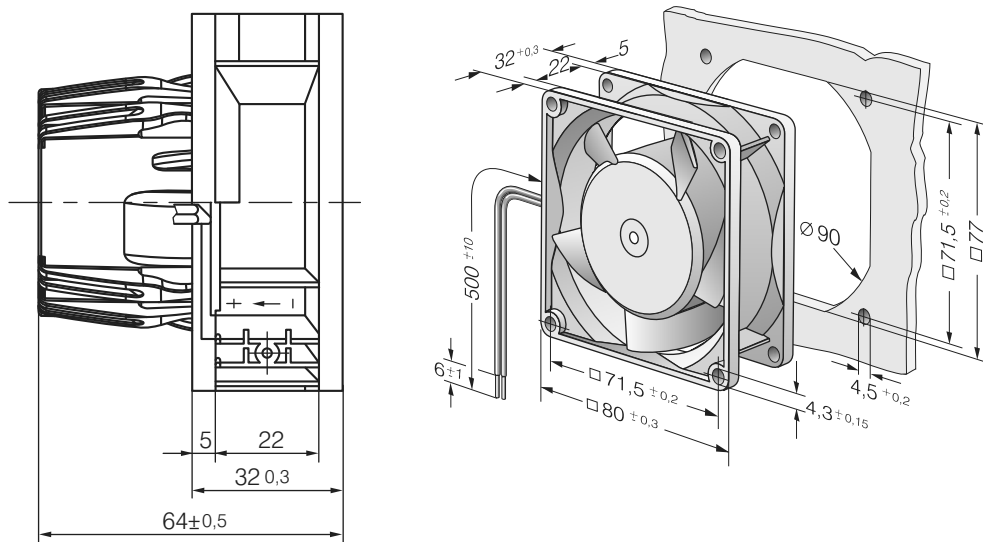
ml = Max. load · me = Max. efficiency · fa = Free air · cs = Customer specification · ce = Customer equipment  
Subject to change



**Technical description**

<b>General description</b>	Usable with all line voltages between 85 and 265 VAC
<b>Housing material</b>	Glass-fiber reinforced PBTP plastic
<b>Weight</b>	0.325 kg
<b>Dimensions</b>	80 x 80 x 32 mm
<b>Impeller material</b>	Glass-fiber reinforced PA plastic
<b>Airflow direction</b>	Exhaust over struts
<b>Direction of rotation</b>	Clockwise, viewed toward rotor
<b>Storage</b>	Ball bearing
<b>Service life L10 at 40 °C</b>	55000 h
<b>Service life L10 at maximum temperature</b>	25000 h
<b>Cable</b>	With leads AWG 22, TR 64
<b>Locked-rotor protection</b>	Protection against reverse polarity and blocked rotor.
<b>Protection class</b>	IP54
<b>Approval</b>	VDE, CSA, UL, CE, CCC
<b>Option</b>	Open-loop speed control, speed and alarm signal; improved moisture protection or degree of protection IP54

## Product drawing



## Curves: Air performance

