

A4E300-AH26-05

# AC axial fan

blades with special design (K series)



**ebm-papst Mulfingen GmbH & Co. KG**

Bachmühle 2

74673 Mulfingen

Phone: +49 7938 81-0

Fax: +49 7938 81-110

[www.fansco.com](http://www.fansco.com)

[sales@fansco.com](mailto:sales@fansco.com)

## Nominal data

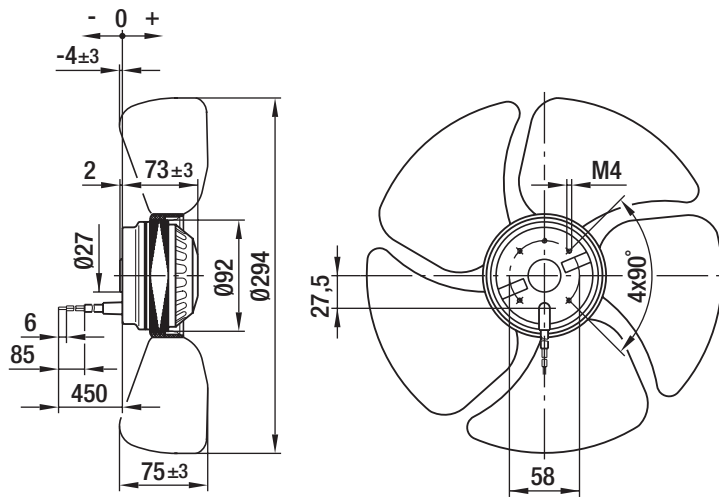
Type	A4E300-AH26-05		
Motor	M4E068-CF		
Phase		1~	1~
Nominal voltage	[V]	230	230
Frequency	[Hz]	50	60
Type of data definition		rfa	rfa
Valid for approval / standard		CE	UL
Speed	[min <sup>-1</sup> ]	1350	1480
Power input	[W]	70	95
Current draw	[A]	0.31	0.41
Motor capacitor	[μF]	1.5	1.5
Capacitor voltage	[VDB]	400	400
Max. back pressure	[Pa]	80	65
Max. ambient temperature	[°C]	60	55

ml = max. load · me = max. efficiency · rfa = running at free air · cs = customer specs · cu = customer unit  
Subject to alterations

## Technical features

Leakage current	< 0,75 mA
Size	300 mm
Operation mode	Continuous operation (S1)
Direction of rotation	Counter-clockwise, seen on rotor
Humidity class	F1-2
Direction of air flow	"V"
Insulation class	"B"
Cable exit	Variable
Bearing motor	Ball bearing
Mass	1.7 kg
Material of impeller	PA plastic, black
Motor protection	Thermal overload protector (TOP) wired internally
Product conforming to standard	CE
Number of blades	5
Type of protection	IP 44
Protection class	I
Approval	CCC

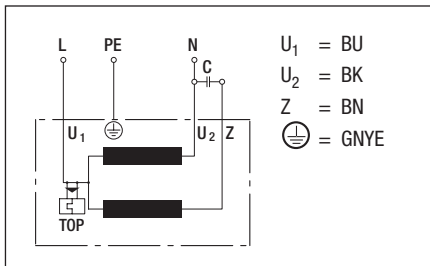
## Product drawing



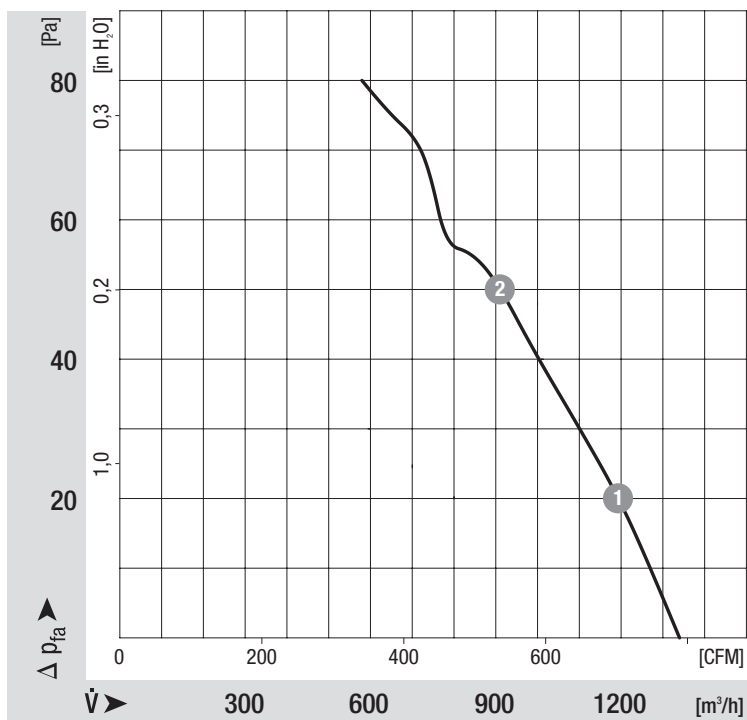
# AC axial fan

blades with special design (K series)

## Connection screen



## Charts: Air flow 50 Hz



## Measured values

	n	P <sub>1</sub>	I
	[min <sup>-1</sup> ]	[W]	[A]
1	1325	71	0.32
2	1310	73	0.33

## Charts: Air flow 60 Hz

