

AC axial fan

sickled blades (S series)

ebm-papst Mulfingen GmbH & Co. KG

Bachmühle 2
 D-74673 Mulfingen
 Phone: +49(0)7938/81-0
 Fax: +49(0)7938/81-110
 sales@fansco.com
 www.fansco.com

Nominal data

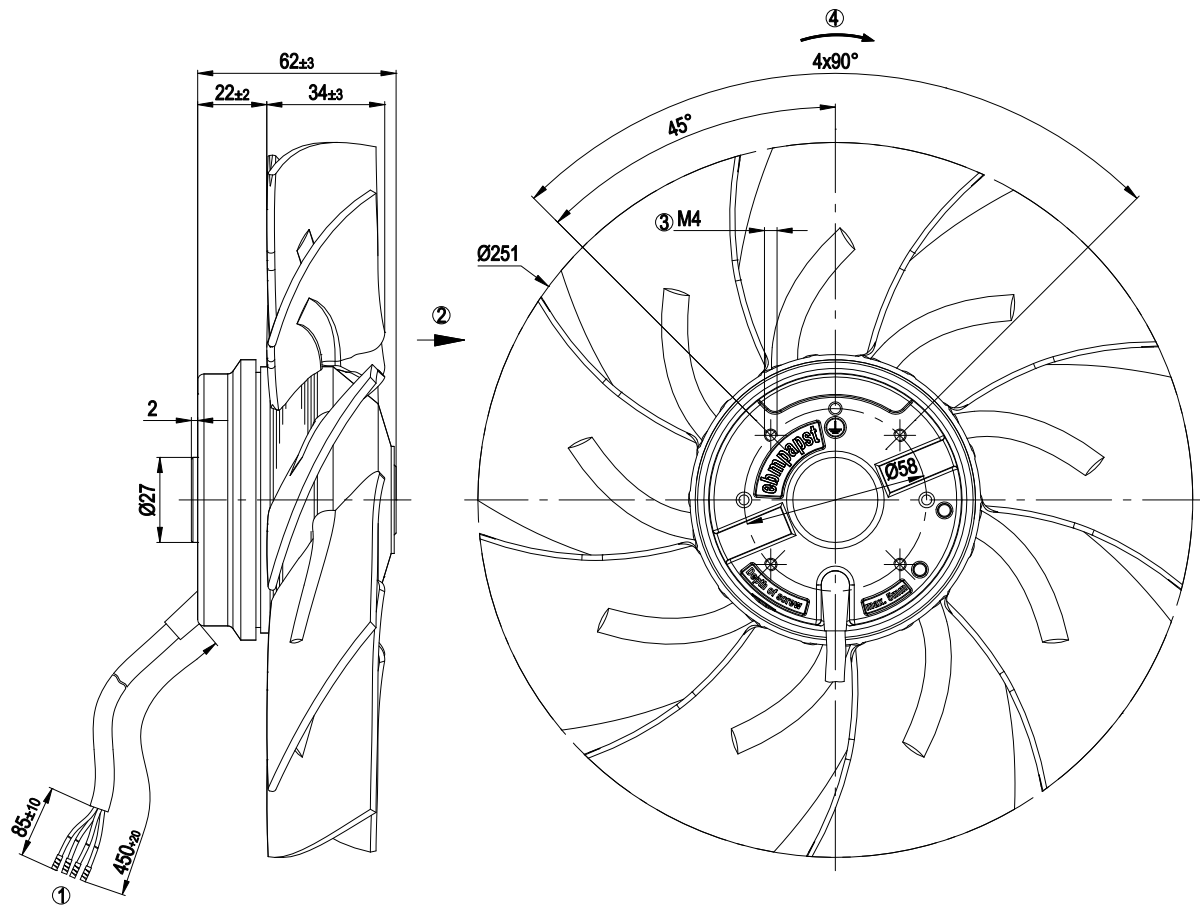
| | | | |
|-------------------------------|-----------------------|---------|------|
| Type | A4E250-AI02-01 | | |
| Motor | M4E068-BF | | |
| Phase | | 1~ | 1~ |
| Nominal voltage | [V] | 230 | 230 |
| Frequency | [Hz] | 50 | 60 |
| Type of data definition | | rfa | rfa |
| Valid for approval / standard | | CE | CE |
| Speed | [min ⁻¹] | 1400 | 1630 |
| Power input | [W] | 42 | 45 |
| Current draw | [A] | 0.19 | 0.20 |
| Motor capacitor | [µF] | 1.5 | 1.5 |
| Capacitor voltage | [VDB] | 400 | 400 |
| Capacitor standard | | P0 (CE) | |
| Max. back pressure | [Pa] | 80 | 100 |
| Max. ambient temperature | [°C] | 55 | 70 |

ml = max. load · me = max. efficiency · rfa = running at free air · cs = customer specs · cu = customer unit
 Subject to alterations

Technical features

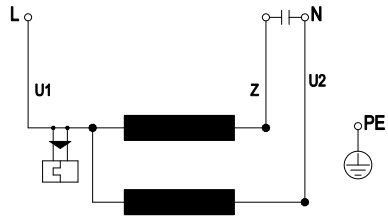
| | |
|---------------------------------------------------------|--------------------------------------------------------------|
| Leakage current | < 0.75 mA |
| Size | 250 mm |
| Operation mode | S1 |
| Direction of rotation | Counter-clockwise, seen on rotor |
| Mounting position | Shaft horizontal or rotor on bottom; rotor on top on request |
| Humidity class | F1-2 |
| Direction of air flow | "A" |
| Insulation class | "B" |
| Cable exit | Variable |
| Condensate discharge holes | Rotor-side |
| Motor bearing | Ball bearing |
| Mass | 1.43 kg |
| Material of blades | Sheet steel, coated in black |
| Motor protection | Thermal overload protector (TOP) wired internally |
| Product conforming to standard | CE; EN 60335-1 |
| Surface of rotor | Coated in black |
| Number of blades | 9 |
| Type of protection | IP 44 |
| Protection class | I |
| Max. permissible ambient motor temp. (transp./ storage) | + 80 °C |
| Min. permissible ambient motor temp. (transp./storage) | - 40 °C |
| Approval | CCC; GOST |

Product drawing



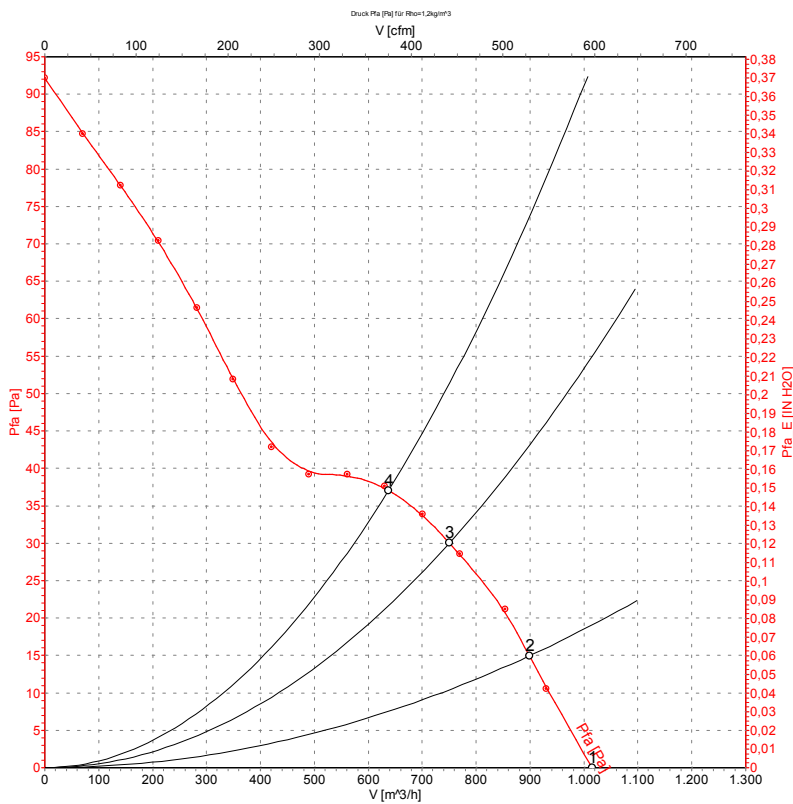
| | |
|---|--------------------------------------------------------|
| 1 | Connection line PVC, 4x brass lead tips crimped |
| 2 | Direction of air flow "A" |
| 3 | Screw depth max. 5 mm |
| 4 | Direction of rotation counter-clockwise, seen on rotor |

Connection screen



| | | | | | |
|----|--------------|---|-------|----|-------|
| U1 | blue | Z | brown | U2 | black |
| PE | green/yellow | | | | |

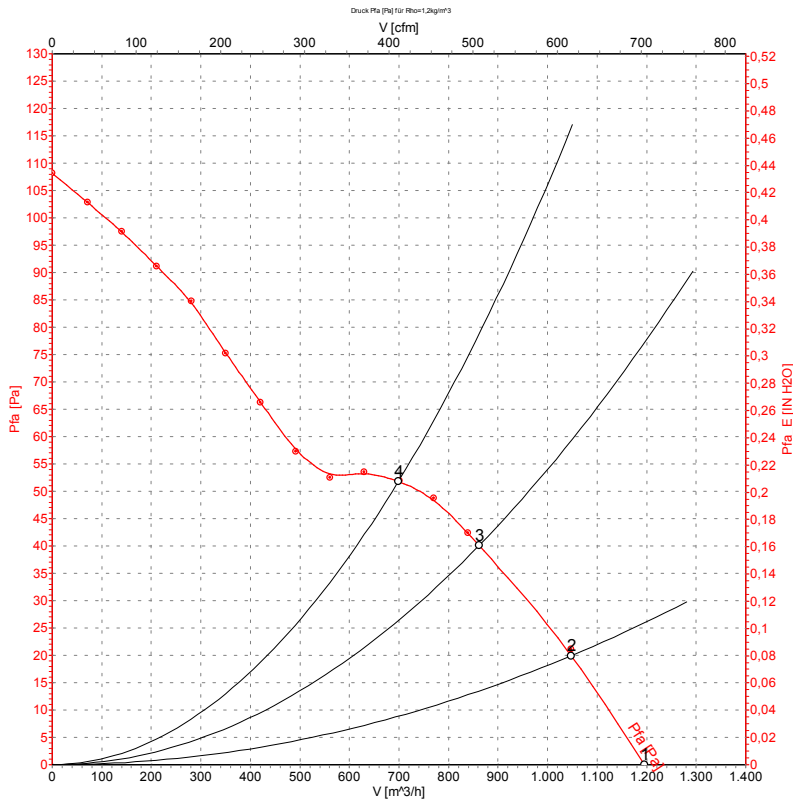
Charts: Air flow 50 Hz



Measured values

| | U | f | n | P ₁ | I | \hat{V} | P _{fa} |
|---|-----|------|----------------------|----------------|------|---------------------|-----------------|
| | [V] | [Hz] | [min ⁻¹] | [W] | [A] | [m ³ /h] | [Pa] |
| 1 | 230 | 50 | 1400 | 42 | 0.19 | 1015 | 0 |
| 2 | 230 | 50 | 1385 | 43 | 0.20 | 900 | 15 |
| 3 | 230 | 50 | 1370 | 44 | 0.20 | 750 | 30 |
| 4 | 230 | 50 | 1350 | 45 | 0.22 | 640 | 35 |

Charts: Air flow 60 Hz



Measurement: LU-60037

Measured values

| | U | f | n | P ₁ | I | Ŷ | P _{fa} |
|---|-----|------|----------------------|----------------|------|--------|-----------------|
| | [V] | [Hz] | [min ⁻¹] | [W] | [A] | [m³/h] | [Pa] |
| 1 | 230 | 60 | 1630 | 45 | 0.20 | 1200 | 0 |
| 2 | 230 | 60 | 1625 | 47 | 0.21 | 1045 | 20 |
| 3 | 230 | 60 | 1570 | 49 | 0.21 | 860 | 40 |
| 4 | 230 | 60 | 1570 | 50 | 0.23 | 700 | 50 |