

**ebm-papst Mulfingen GmbH & Co. KG**

Bachmühle 2

74673 Mulfingen

Phone: +49 7938 81-0

Fax: +49 7938 81-110

www.fansco.com

sales@fansco.com

**Nominal data**

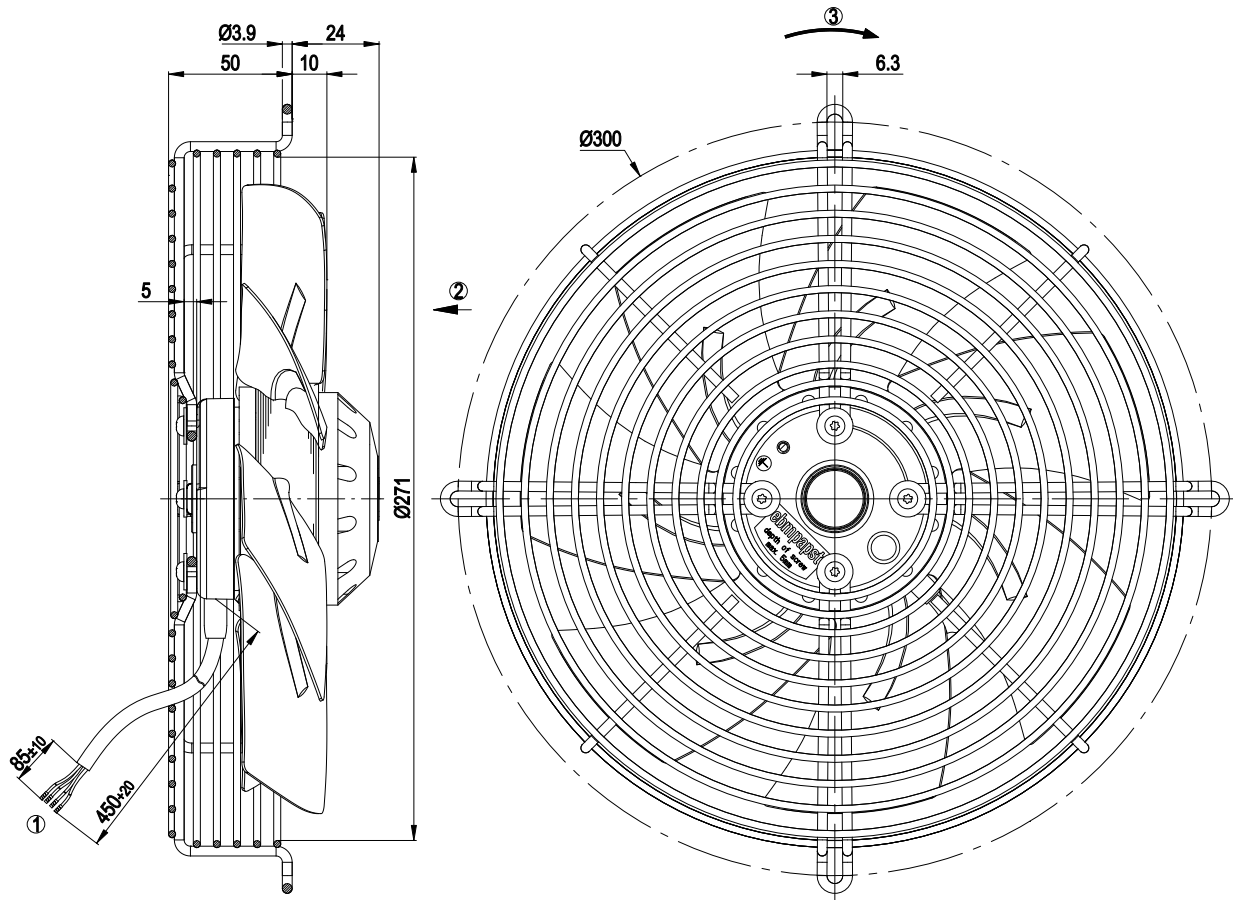
<b>Type</b>	<b>S4E250-AH02-01</b>		
<b>Motor</b>	<b>M4E068-BF</b>		
Phase		1~	1~
Nominal voltage	[V]	230	230
Frequency	[Hz]	50	60
Type of data definition		rfa	rfa
Valid for approval / standard		CE	CE
Speed	[min <sup>-1</sup> ]	1400	1630
Power input	[W]	42	45
Current draw	[A]	0.19	0.20
Motor capacitor	[µF]	1.5	1.5
Capacitor voltage	[VDB]	400	400
Capacitor standard		P0 (CE)	
Max. back pressure	[Pa]	80	100
Max. ambient temperature	[°C]	55	70
Air flow	[m <sup>3</sup> /h]	1010	1200
Back pressure	[Pa]	0	0
Sound pressure level	[dB(A)]	54	58

ml = max. load · me = max. efficiency · rfa = running at free air · cs = customer specs · cu = customer unit  
Subject to alterations

## Technical features

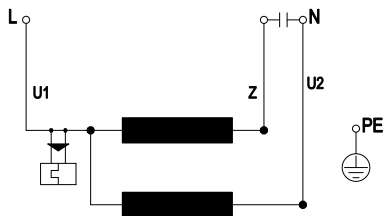
Leakage current	< 0,75 mA
Size	250 mm
Operation mode	S1
Mounting position	Shaft horizontal or rotor on bottom; rotor on top on request
Direction of rotation	Counter-clockwise, seen on rotor
Insulation class	"B"
Cable exit	Variable
Condensate discharge holes	Rotor-side
Bearing-motor	Ball bearing
Mass	2.17 kg
Material of blades	Sheet steel, coated in black
Material of guard grille	Steel, phosphated and coated in black plastic
Motor protection	Thermal overload protector (TOP) wired internally
Product conforming to standard	CE; EN 60335-1
Surface of rotor	Coated in black
Number of blades	7
Type of protection	IP 44
Protection class	I
Approval	CCC

Product drawing



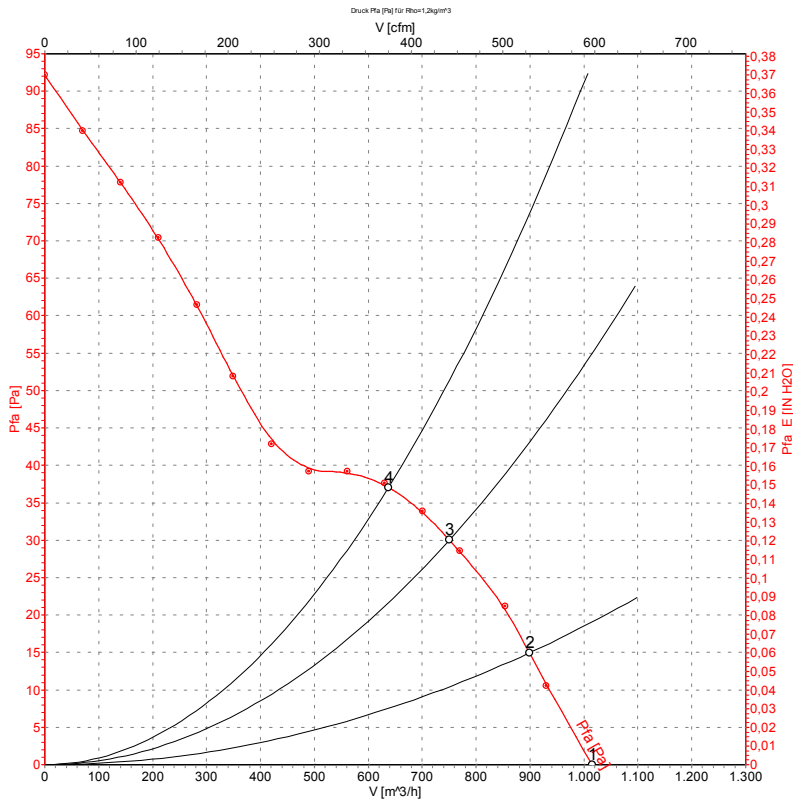
1	Connection line PVC, 4x brass lead tips crimped
2	Direction of air flow "V"
3	Direction of rotation counter-clockwise, seen on rotor

Connection screen



U1	blue	Z	brown	U2	black
PE	green/yellow				

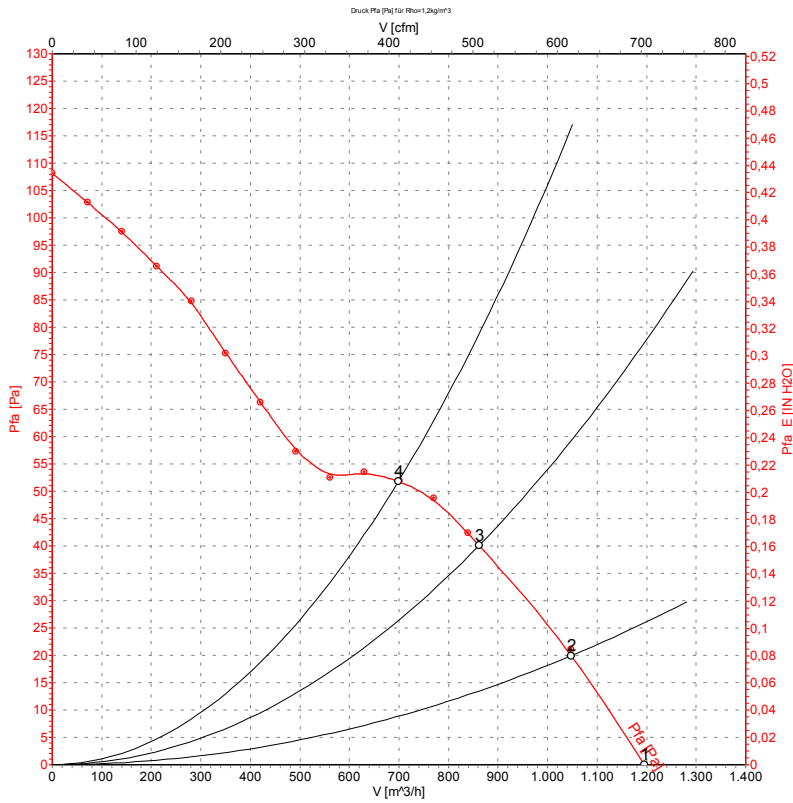
Charts: Air flow 50 Hz



Measured values

	U	f	n	P <sub>1</sub>	I	$\hat{V}$	P <sub>fa</sub>
	[V]	[Hz]	[min <sup>-1</sup> ]	[W]	[A]	[m <sup>3</sup> /h]	[Pa]
1	230	50	1400	42	0.19	1015	0
2	230	50	1385	43	0.20	900	15
3	230	50	1370	44	0.20	750	30
4	230	50	1360	45	0.20	640	37

Charts: Air flow 60 Hz



Measured values

	U	f	n	P <sub>1</sub>	I	Ŷ	P <sub>fa</sub>
	[V]	[Hz]	[min <sup>-1</sup> ]	[W]	[A]	[m <sup>3</sup> /h]	[Pa]
1	230	60	1630	45	0.20	1200	0
2	230	60	1625	47	0.21	1045	21
3	230	60	1590	49	0.21	860	40
4	230	60	1580	49	0.21	700	52