

A4E250-AE32-05

AC axial fan

blades with special design (K series)



ebm-papst Mulfingen GmbH & Co. KG

Bachmühle 2

74673 Mulfingen

Phone: +49 7938 81-0

Fax: +49 7938 81-110

www.fansco.com

sales@fansco.com

Nominal data

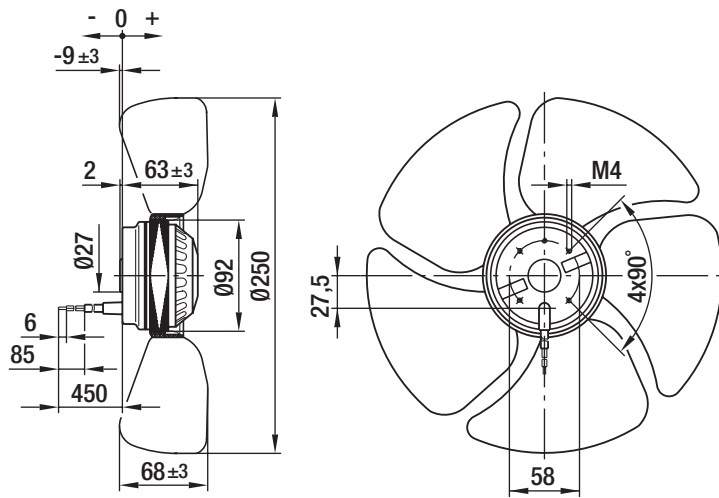
Type	A4E250-AE32-05			
Motor	M4E068-BF			
Phase		1~	1~	1~
Nominal voltage	[V]	230	230	230
Frequency	[Hz]	50	60	60
Type of data definition		rfa	ml	rfa
Valid for approval / standard		CE	CE	UL
Speed	[min ⁻¹]	1350	1500	1500
Power input	[W]	41	50	55
Current draw	[A]	0.18	0.23	0.25
Motor capacitor	[μF]	1.5	1.5	1.5
Capacitor voltage	[VDB]	400	400	400
Max. back pressure	[Pa]	60	60	60
Max. ambient temperature	[°C]	55	55	55

ml = max. load · me = max. efficiency · rfa = running at free air · cs = customer specs · cu = customer unit
Subject to alterations

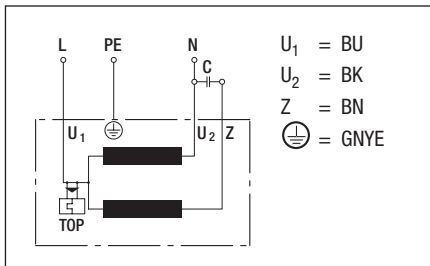
Technical features

Leakage current	< 0,75 mA; <= 3,5 mA
Size	250 mm
Operation mode	Continuous operation (S1)
Direction of rotation	Counter-clockwise, seen on rotor
Humidity class	F1-2
Direction of air flow	"V"
Insulation class	"B"
Cable exit	Variable
Bearing motor	Ball bearing
Mass	1.2 kg
Material of impeller	PA plastic, black
Motor protection	Thermal overload protector (TOP) wired internally
Product conforming to standard	CE
Number of blades	5
Type of protection	IP 44
Protection class	I
Approval	CCC

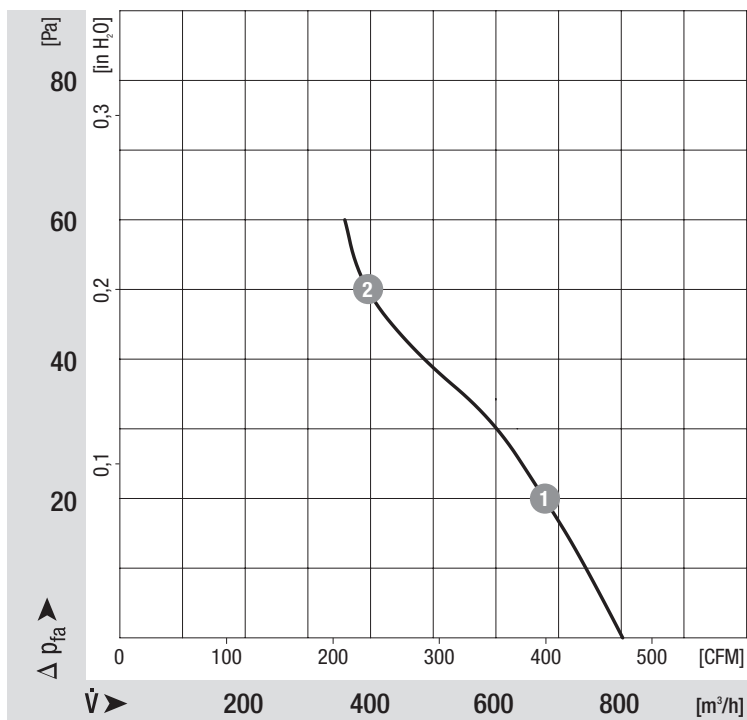
Product drawing



Connection screen



Charts: Air flow 50 Hz



Measured values

	n	P ₁	I
	[min ⁻¹]	[W]	[A]
1	1315	42	0.19
2	1280	44	0.20

Charts: Air flow 60 Hz

