

# AC axial fan

straight blades (A series)



## ebm-papst Mulfingen GmbH & Co. KG

Bachmühle 2  
 74673 Mulfingen  
 Phone: +49 7938 81-0  
 Fax: +49 7938 81-110  
 www.fansco.com  
 sales@fansco.com

### Nominal data

Type	A4D350-AA06-02				
Motor	M4D068-EC				
Phase		3~	3~	3~	3~
Nominal voltage	[V]	230	230	400	400
Connection		D	D	Y	Y
Frequency	[Hz]	50	60	50	60
Type of data definition		rfa	rfa	rfa	rfa
Valid for approval / standard		CE	CE	CE	CE
Speed	[min <sup>-1</sup> ]	1420	1620	1420	1620
Power input	[W]	145	190	145	190
Current draw	[A]	0.68	0.62	0.39	0.36
Max. back pressure	[Pa]	150	150	150	150
Max. ambient temperature	[°C]	50	50	50	50

ml = max. load · me = max. efficiency · rfa = running at free air · cs = customer specs · cu = customer unit  
 Subject to alterations

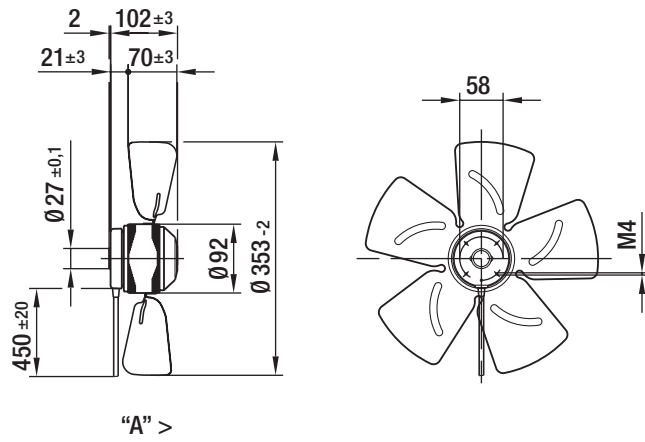
# AC axial fan

straight blades (A series)

## Technical features

Size	350 mm
Operation mode	Continuous operation (S1)
Direction of rotation	Clockwise, seen on rotor
Humidity class	F1-2
Direction of air flow	"A"
Insulation class	"B"
Cable exit	Lateral
Bearing motor	Ball bearing
Mass	3.1 kg
Material of impeller	Sheet steel, coated in black
Number of blades	5
Type of protection	IP 44
Protection class	I
Approval	CCC

## Product drawing

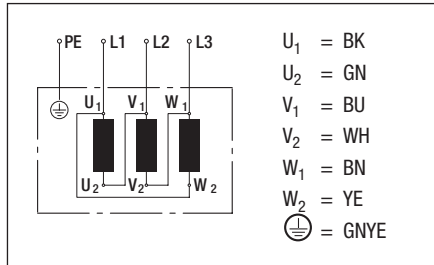


# AC axial fan

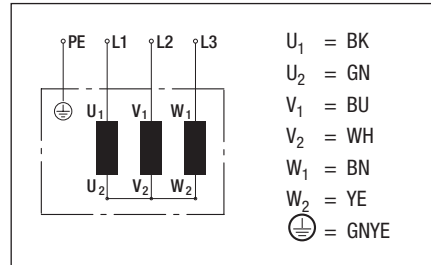
straight blades (A series)

## Connection screen

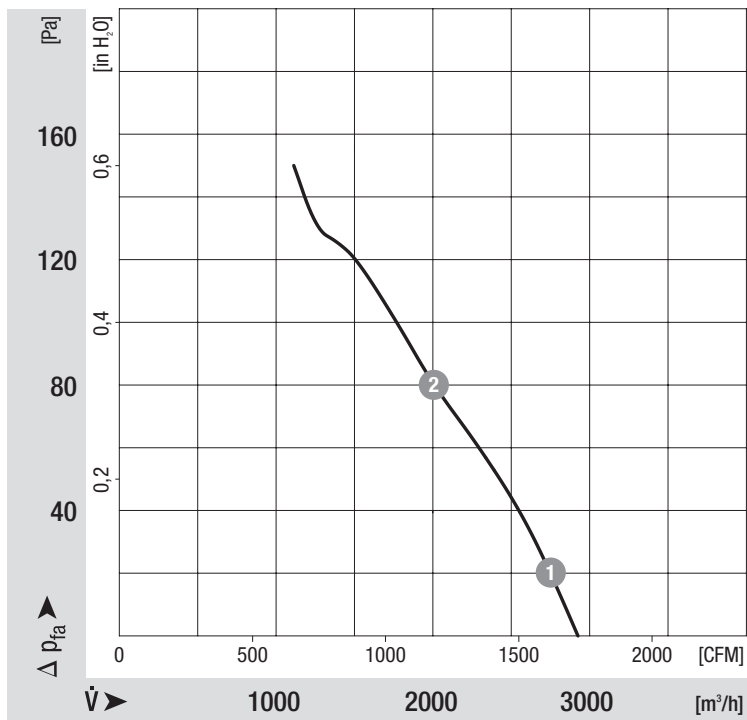
Delta (3~ 230 VAC)



Star (3~ 400 VAC)



## Charts: Air flow 50 Hz



## Measured values

	n	P <sub>1</sub>	I
	[min <sup>-1</sup> ]	[W]	[A]
1	1405	154	0.39
2	1390	169	0.40

# AC axial fan

straight blades (A series)

Charts: Air flow 60 Hz

