

A2D250-AA06-52

AC axial fan

straight blades (A series)



ebm-papst Mulfingen GmbH & Co. KG

Bachmühle 2 · D-74673 Mulfingen

Phone +49 7938 81-0

Fax +49 7938 81-110

sales@fansco.com

www.fansco.com

Limited partnership · Headquarters Mulfingen
County court Stuttgart · HRA 590344

General partner: Elektrobau Mulfingen GmbH · Headquarters Mulfingen
County court Stuttgart · HRB 590142

Nominal data

Type	A2D250-AA06-52		
Motor	M2D068-DF		
Phase		3~	3~
Nominal voltage	VAC	266	460
Connection		Δ	Y
Frequency	Hz	60	60
Type of data definition		fa	fa
Valid for approval / standard		CE	CE
Speed	min ⁻¹	2900	2900
Power input	W	150	150
Current draw	A	0.38	0.22
Max. back pressure	Pa	125	125
Max. ambient temperature	°C	65	65

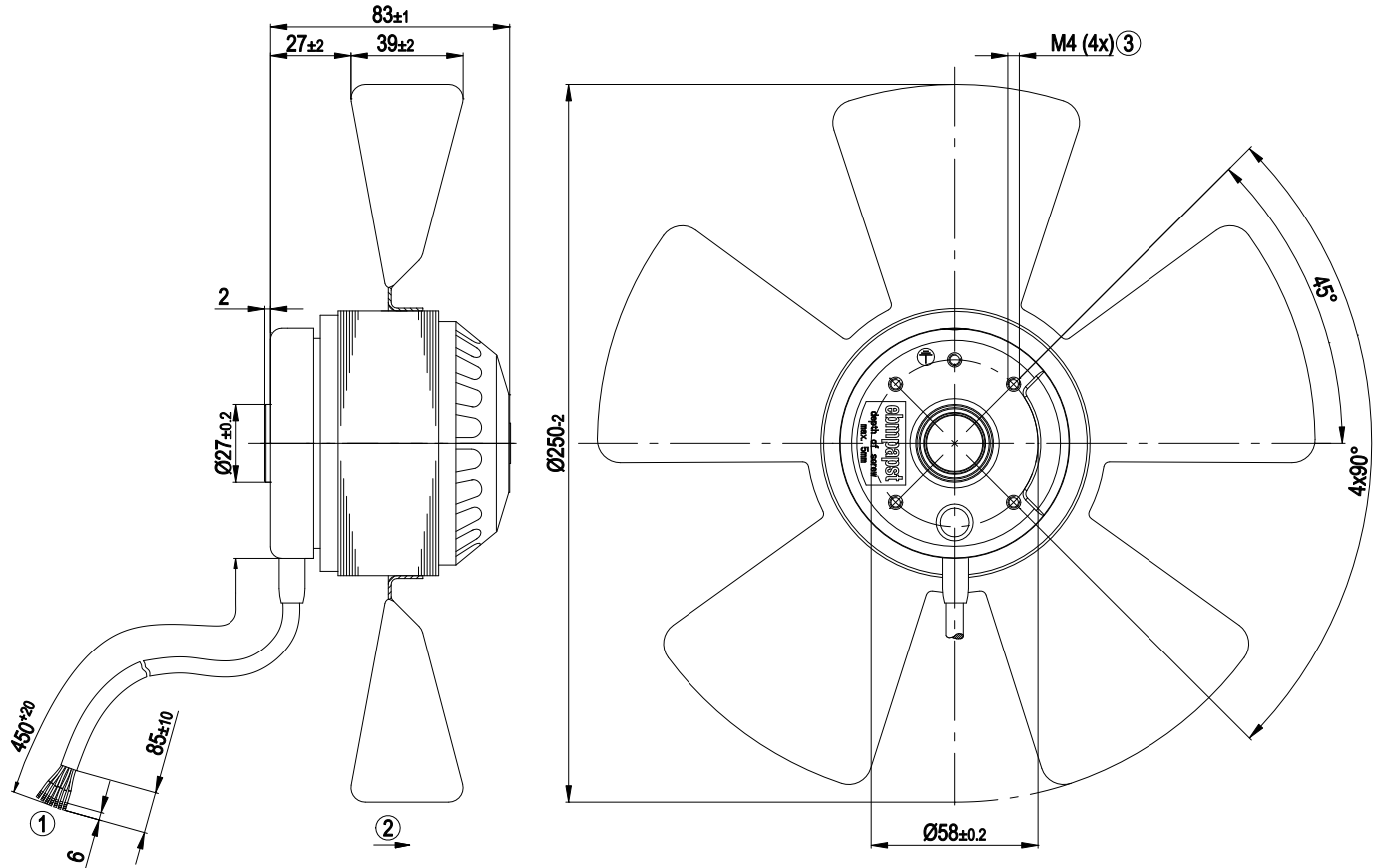
ml = max. load · me = max. efficiency · fa = running at free air · cs = customer specs · cu = customer unit
Subject to alterations



Technical features

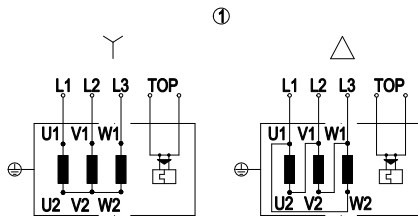
Mass	2.2 kg
Size	250 mm
Surface of rotor	Coated in black
Material of impeller	Sheet steel, coated in black
Number of blades	5
Direction of air flow	"A"
Direction of rotation	Clockwise, seen on rotor
Type of protection	IP 44; Depending on installation and position
Insulation class	"B"
Humidity class	F1-2
Max. permissible ambient motor temp. (transp./ storage)	+ 80 °C
Min. permissible ambient motor temp. (transp./storage)	- 40 °C
Mounting position	Shaft horizontal or rotor on top; rotor on bottom on request
Condensate discharge holes	None
Operation mode	S1
Motor bearing	Ball bearing
Leakage current	< 0.75 mA
Motor protection	Thermal overload protector (TOP) brought out
Cable exit	Lateral
Protection class	I (if protective earth is connected by customer)
Product conforming to standard	EN 60335-1; CE
Approval	UL 1004-1; CSA C22.2 Nr.100

Product drawing



1	Connection line AWG20, 9 x brass lead tips crimped
2	Direction of air flow "A"
3	Depth of screw max. 5 mm

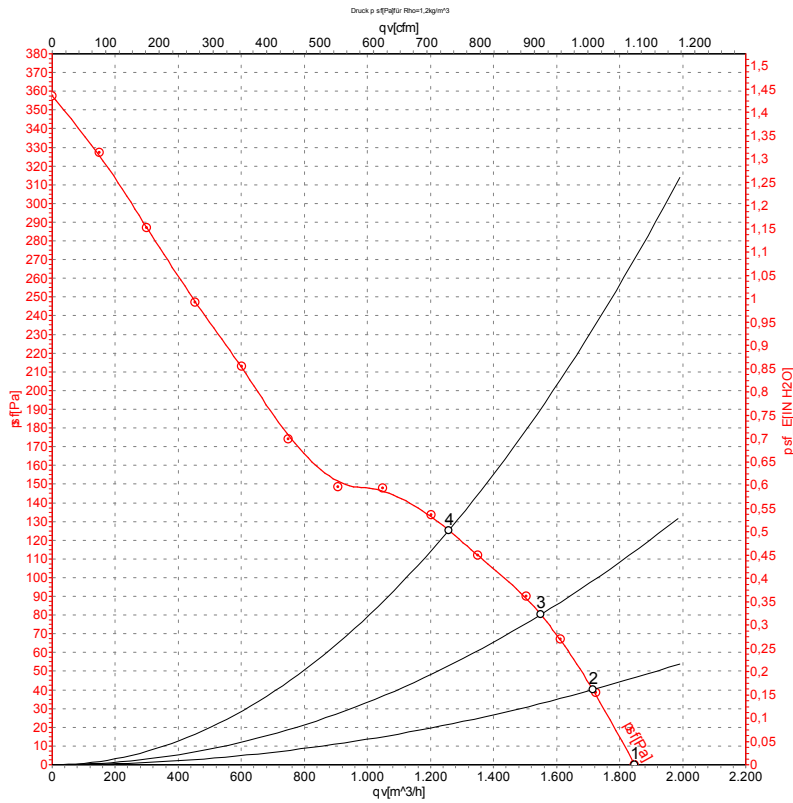
Connection screen



Changing the direction of rotation by reversing the two phases

1	Three-phase motor
Y	Star connection
Δ	Delta connection
L1	= U1 = black 2
L2	= V1 = black 1
L3	= W1 = black 3
V2	= black4
U2	= black5
W2	= black6
TW	(Thermal overload protector) 2x yellow

Charts: Air flow 60 Hz



Measurement: LU-110509

Air performance measured as per ISO 5801 Installation category A. For detailed information on the measuring set-up, please contact ebm-papst. Suction-side noise levels: L_{wA} measured as per ISO 13347 / L_{pA} measured with 1m distance to fan axis. The values given are valid under the measuring conditions mentioned above and may vary according to the actual installation situation. With any deviation from the standard set-up, the specific values have to be checked and reviewed with the unit installed.

Measured values

	Conn.	U	f	n	P _e	I	qv	p _{sf}
		V	Hz	min ⁻¹	W	A	m ³ /h	Pa
1	Y	460	60	2900	150	0.22	1850	0
2	Y	460	60	2835	160	0.23	1715	40
3	Y	460	60	2800	166	0.23	1550	80
4	Y	460	60	2765	172	0.24	1260	125

