

AC axial fan

straight blades (A series)

ebm-papst Mulfingen GmbH & Co. KG

Bachmühle 2 · D-74673 Mulfingen

Phone +49 7938 81-0

Fax +49 7938 81-110

sales@fansco.com

www.fansco.com

Limited partnership · Headquarters Mulfingen
County court Stuttgart · HRA 590344

General partner Elektrobau Mulfingen GmbH · Headquarters Mulfingen
County court Stuttgart · HRB 590142

Nominal data

| | | | |
|-------------------------------|-------------------|------|------|
| Type | A2D250-AA06-44 | | |
| Motor | M2D068-DF | | |
| Phase | | 3~ | 3~ |
| Nominal voltage | VAC | 266 | 460 |
| Connection | | Δ | Y |
| Frequency | Hz | 60 | 60 |
| Type of data definition | | fa | fa |
| Valid for approval / standard | | CE | CE |
| Speed | min ⁻¹ | 2900 | 2900 |
| Power input | W | 150 | 150 |
| Current draw | A | 0.38 | 0.22 |
| Max. back pressure | Pa | 125 | 125 |
| Min. ambient temperature | °C | -25 | -25 |
| Max. ambient temperature | °C | 65 | 65 |

ml = Max. load · me = Max. efficiency · fa = Running at free air · cs = Customer specs · cu = Customer unit
Subject to alterations



AC axial fan

straight blades (A series)

Technical features

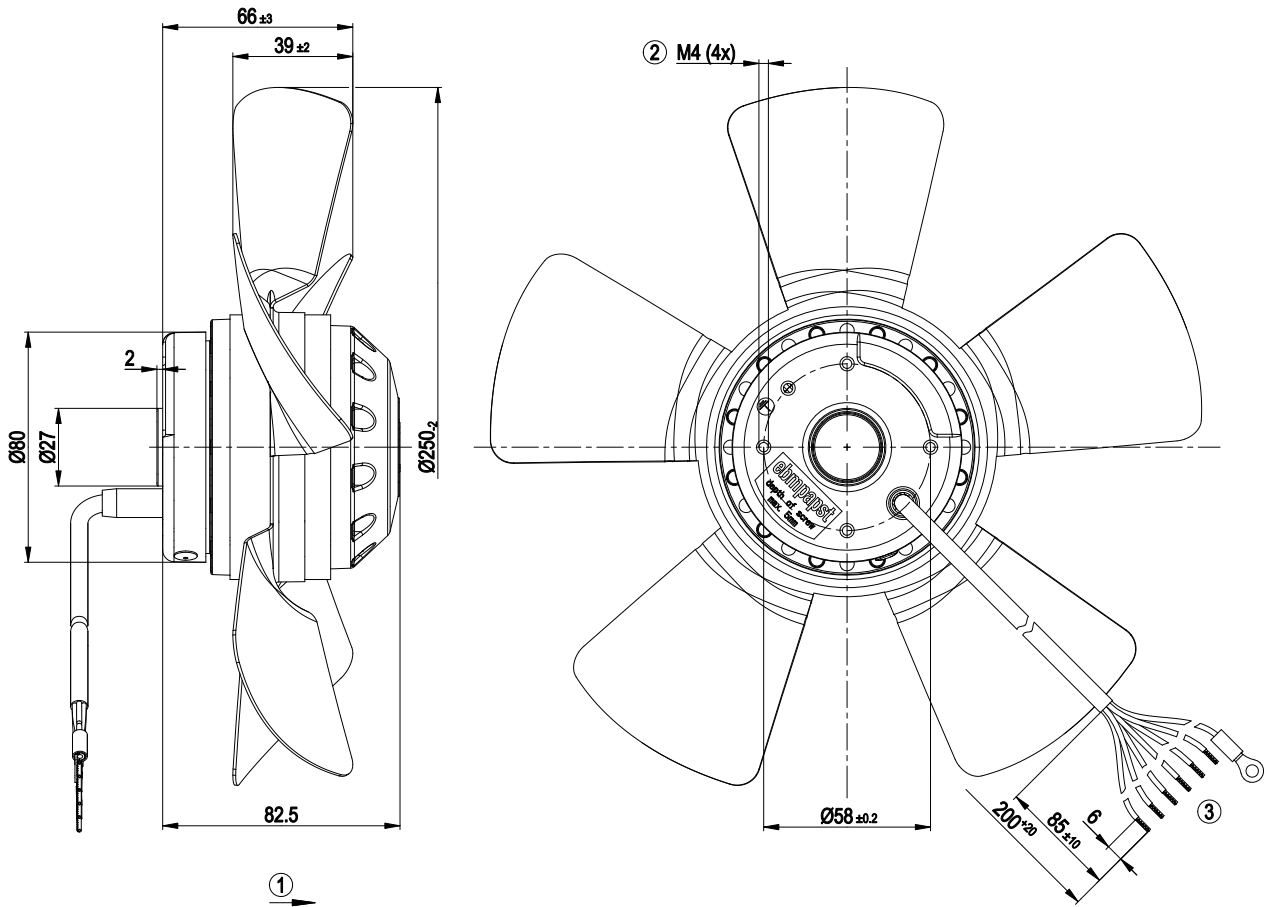
| | |
|---|--|
| Mass | 2.3 kg |
| Size | 250 mm |
| Surface of rotor | Coated in black |
| Material of impeller | Sheet steel, coated in black |
| Number of blades | 5 |
| Direction of air flow | "A" |
| Direction of rotation | Clockwise, seen on rotor |
| Type of protection | IP 44; Depending on installation and position |
| Insulation class | "B" |
| Humidity class | F1-2 |
| Max. permissible ambient motor temp. (transp./ storage) | + 80 °C |
| Min. permissible ambient motor temp. (transp./storage) | - 40 °C |
| Mounting position | Shaft horizontal or rotor on top; rotor on bottom on request |
| Condensate discharge holes | None |
| Operation mode | S1 |
| Motor bearing | Ball bearing |
| Touch current acc. IEC 60990 (measuring network Fig. 4, TN system) | < 0.75 mA |
| Cable exit | Axial |
| Protection class | I (if protective earth is connected by customer) |
| Product conforming to standard | EN 60335-1 |



AC axial fan

straight blades (A series)

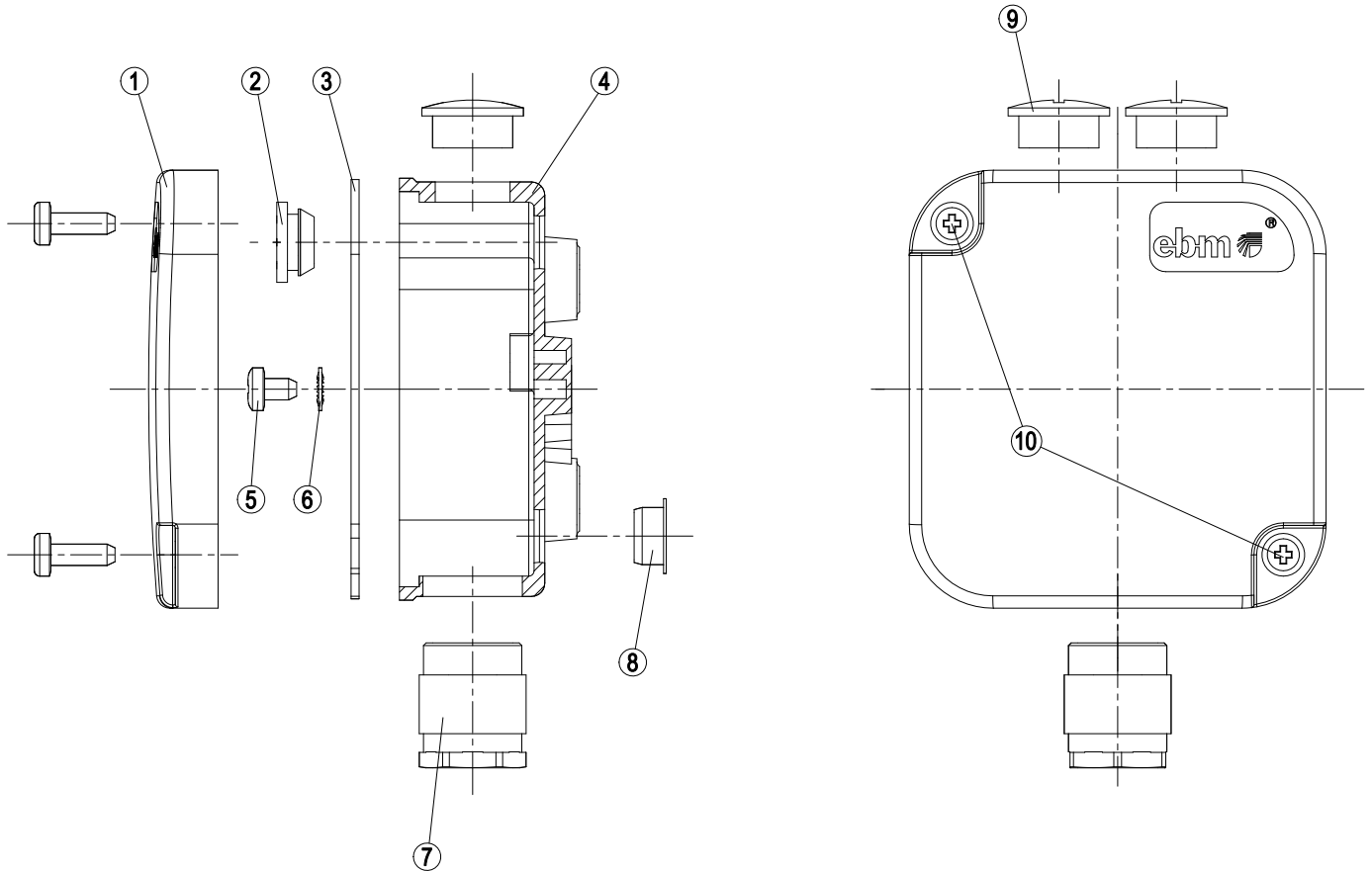
Product drawing



| | |
|---|---|
| 1 | Direction of air flow "A" |
| 2 | Thread reach max. 5 mm |
| 3 | Connection line PVC 7G 0.5 mm ² , 6x lead tips, 1x contact stud dia. 4.3 |



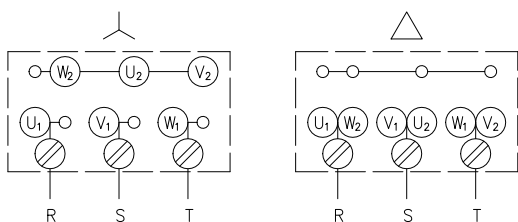
Accessory part



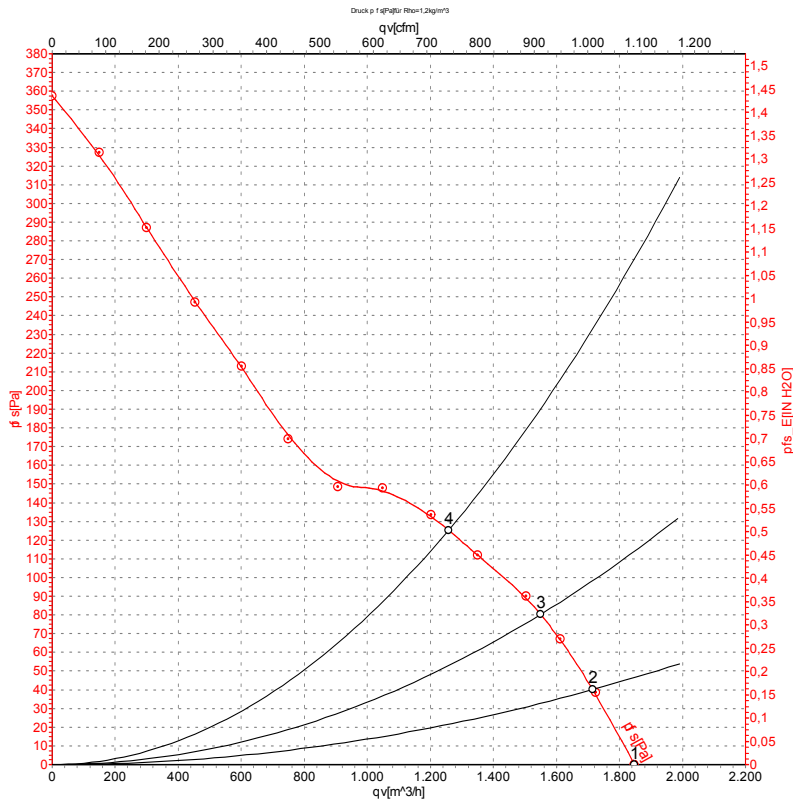
Accessory parts, included separately:

| | |
|----|---|
| 1 | Terminal box cover |
| 2 | Grommet |
| 3 | Seal |
| 4 | Bottom part of terminal box |
| 5 | Oval head screw |
| 6 | Toothed lock washer |
| 7 | Cable gland, cable diameter min. 8 mm, max. 10 mm, tightening torque 1.3 ± 0.2 Nm |
| 8 | Sealing plug |
| 9 | Screw plugs (2x), tightening torque 1.3 ± 0.2 Nm |
| 10 | Oval head screws (2x), tightening torque 1.3 ± 0.2 Nm |

Connection screen



Charts: Air flow 60 Hz



Measurement: LU-110509

Air performance measured as per ISO 5801 Installation category A. For detailed information on the measuring set-up, please contact ebm-papst. Suction-side noise levels: L_{wA} measured as per ISO 13347 / L_{pA} measured with 1m distance to fan axis. The values given are valid under the measuring conditions mentioned above and may vary according to the actual installation situation. With any deviation from the standard set-up, the specific values have to be checked and reviewed with the unit installed.

Measured values

| | Conn. | U | f | n | P _e | I | qv | p _{fs} |
|---|-------|-----|----|-------------------|----------------|------|-------------------|-----------------|
| | | V | Hz | min ⁻¹ | W | A | m ³ /h | Pa |
| 1 | Y | 460 | 60 | 2900 | 150 | 0.22 | 1850 | 0 |
| 2 | Y | 460 | 60 | 2835 | 160 | 0.23 | 1715 | 40 |
| 3 | Y | 460 | 60 | 2800 | 166 | 0.23 | 1550 | 80 |
| 4 | Y | 460 | 60 | 2765 | 172 | 0.24 | 1260 | 125 |

Conn. = Connection · U = Supply voltage · f = Frequency · n = Speed · P_e = Power input · I = Current draw · qv = Air flow · p_{fs} = Pressure increase

