

**ebm-papst St. Georgen GmbH & Co. KG**

Hermann-Papst-Str. 1  
 D-78112 St. Georgen  
 Phone +49 (0) 7724 81-0  
 Fax +49 (0) 7724 81-1309  
 sales@fansco.com  
 www.fansco.com

**Nominal data**

| Type                     | 8452 /2GHHP       |              |
|--------------------------|-------------------|--------------|
| Nominal voltage          | VDC               | 12           |
| Nominal voltage range    | VDC               | 10.8 .. 13.2 |
| Speed (rpm)              | min <sup>-1</sup> | 4400         |
| Power consumption        | W                 | 3.5          |
| Min. ambient temperature | °C                | -20          |
| Max. ambient temperature | °C                | 60           |
| Air flow                 | m <sup>3</sup> /h | 83           |
| Sound power level        | B                 | 5.5          |
| Sound pressure level     | dB(A)             | 42           |

ml = Max. load · me = Max. efficiency · fa = Free air · cs = Customer specification · ce = Customer equipment  
 Subject to change

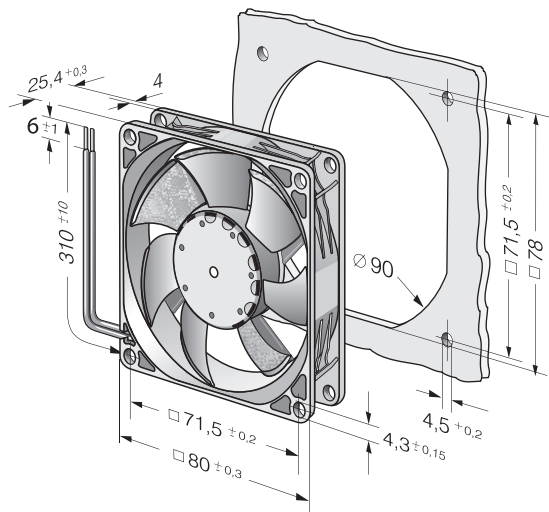


### Technical description

|  |  |
|--|--|
| <b>Housing material</b>                        | Glass-fiber reinforced PBT plastic   |
| <b>Impeller material</b>                       | Glass-fiber reinforced PA plastic  |
| <b>Weight</b>                                  | 0.105 kg   |
| <b>Dimensions</b>                              | 80 x 80 x 25 mm  |
| <b>Airflow direction</b>                       | Exhaust over struts  |
| <b>Direction of rotation</b>                   | Counterclockwise, viewed toward rotor  |
| <b>Storage</b>                                 | Extremely quiet Sintec sleeve bearings.  |
| <b>Service life L10 at 40 °C</b>               | 65000 h  |
| <b>Service life L10 at maximum temperature</b> | 40000 h  |
| <b>Cable</b>                                   | Leads AWG 24, TR 64, stripped and tin-plated.  |
| <b>Motor protection</b>                        | Protection against reverse polarity and blocked rotor.   |
| <b>Option</b>                                  | Possible custom designs:<br>Speed signal<br>Go / No-go alarm<br>Alarm with speed limit<br>External temperature sensor<br>Internal temperature sensor<br>PWM control input<br>Analog control input<br>Moisture protection |



## Product drawing



## Curves

