



The engineer's choice

ebmpapst

8312 HL-156

INDEX

1 General 3

2 Mechanics 3

2.1 General 3

2.2 Connections 3

3 Operating Data 4

3.1 Operating Data - Electrical Interface - Input 4

3.2 Electrical Operating Data 5

3.3 Operating Data - Electrical Interface -Output 5

3.4 Electrical Features 6

3.5 Aerodynamic 7

3.6 Sound Data 8

4 Environment 8

4.1 General 8

4.2 Climatic requirements*) 8

5 Safety 9

5.1 Electrical Safety 9

5.2 Approval Tests 9

6 Reliability 9

6.1 General 9

1 General

Fan type	Fan	
Rotational direction looking at rotor	clockwise	
Airflow direction	Air outlet over struts	
Bearing system	Ball bearing	
Mounting position	any	

2 Mechanics

2.1 General

Width	80 mm	
Height	80 mm	
Depth	32 mm	
Weight	0,170 kg	
Housing material	Plastic	
Impeller material	Plastic	
Max. torque when mounted across both mounting flanges	wire outlet corner: 20 Ncm remaining corners: 30 Ncm	
Screw size	ISO 4762 - M4 degreased, without an additional brace and without washer	

2.2 Connections

Electrical connection	Wires - Plug	
Length of lead wire	L = 790 mm	
Tolerance	+ - 10 mm	
Length of tube	S = 724 mm	
Tolerance	+ - 10 mm	
Wire gauge (AWG)	22	
Insulation diameter	1,7 mm	
Contact	see drawing	



	Colour	Operation
Wire 1	red	+ UB
Wire 2	blue	- GND

3 Operating Data

3.1 Operating Data - Electrical Interface - Input

Control input	None
---------------	------

3.2 Electrical Operating Data

Measurement conditions: Normal air density = 1,2 kg/m³; Temperature 23°C +/- 3°C; Motor axis horizontal; warm-up time before measuring 5 minutes (unless otherwise specified). In the intake and outlet area should not be any solid obstruction within 0,5 m.

$\Delta p = 0$: corresp. to free air flow (see section 3.5)
 I: corresp. to arithm. mean current value

Features	Condition	Symbol	Values		
Voltage range	$\Delta p = 0$	U	6,0 V		15,0 V
Nominal voltage	$\Delta p = 0$	U_N		12,0 V	
Power consumption	$\Delta p = 0$	P	0,9 W +/- 17,5 %	4,0 W +/- 12,5 %	6,6 W +/- 15,0 %
Tolerance	0001				
Current consumption	$\Delta p = 0$	I	150 mA +/- 17,5 %	333 mA +/- 12,5 %	440 mA +/- 15,0 %
Tolerance	0001				
Speed	$\Delta p = 0$	n	2.250 1/min +/- 12,5 %	4.200 1/min +/- 7,5 %	5.000 1/min +/- 10,0 %
Tolerance	0001				
Starting current consumption				1.780 mA	

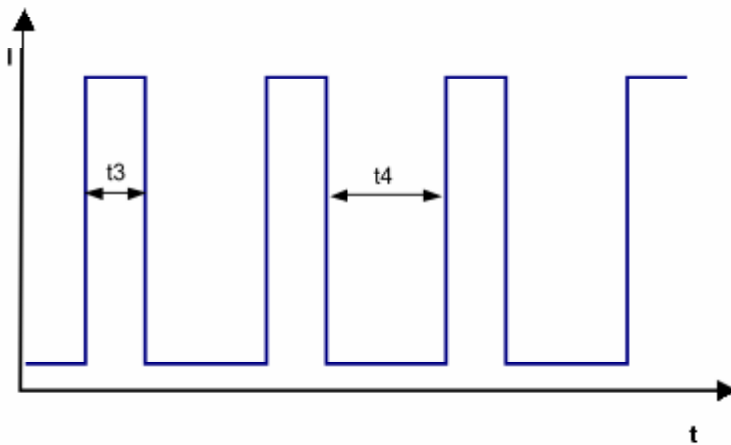
3.3 Operating Data - Electrical Interface -Output

Tacho type	None
------------	------

Alarm type	None
------------	------

3.4 Electrical Features

Electronic function	None	
Reversed polarity protection	Rectifying diode	
Max. residual current at U_n	$I_F \leq 1 \text{ mA}$	
Locked rotor protection	Auto restart	
Locked rotor current at U_n	approx. 1.780 mA	
Clock signal t_3/t_4 at locked rotor	Typical: 0,4 s / 10 s	



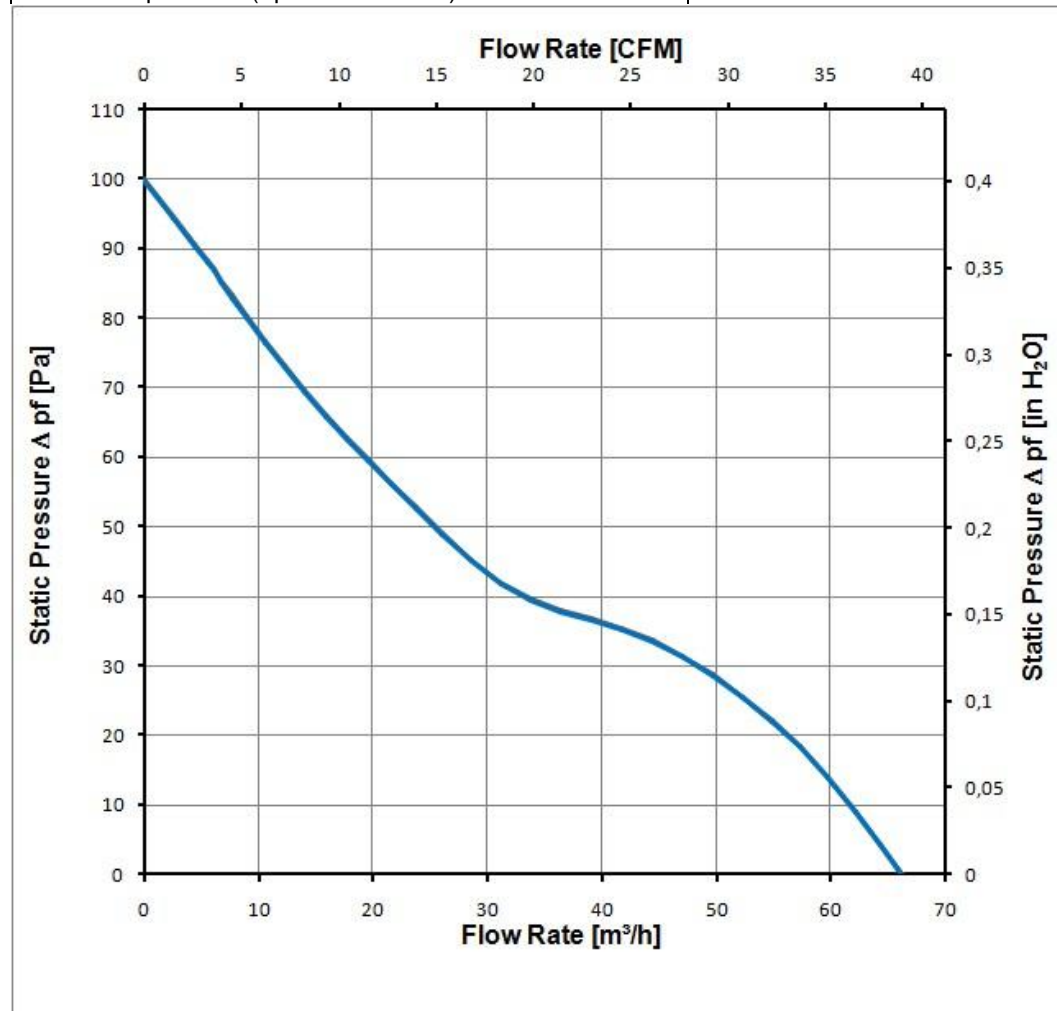
3.5 Aerodynamic

Measurement conditions: Measured with a double chamber intake rig acc. to DIN EN ISO 5801.
 Normal air density = 1,2 kg/m³; Temperature 23°C +/- 3°C;
 In the intake and outlet area should not be any solid obstruction within 0,5 m.
 The information is only valid under the specified test conditions and may be changed by the installation conditions. If there are deviations from the standard test conditions, the characteristic values must be checked under the installed conditions.

a.) Operation condition:

4.200 1/min at free air flow

Max. free-air flow ($\Delta p = 0 / \dot{V} = \text{max.}$)	67,0 m ³ /h	
Max. static pressure ($\Delta p = \text{max.} / \dot{V} = 0$)	100 Pa	



3.6 Sound Data

Measurement conditions: Sound pressure level: 1 Meter distance between microphone and the air intake.
 Sound power level: Acc. to DIN 45635 part 38 (ISO 10302)
 Measured in a semianchoic chamber with a background noise level of $L_p(A) < 5 \text{ dB(A)}$
 For further measurement conditions see section 3.5

a.) Operation condition:

4.200 1/min at free air flow		
Optimal operating point	53,0 m ³ /h @ 25 Pa	
Sound power level at the optimal operating point	5,8 bel(A)	
Sound pressure level at free air flow, measured in rubber bands	43,0 dB(A)	

4 Environment

4.1 General

Min. permitted ambient temperature TU min.	-20 °C	
Max. permitted ambient temperature TU max.	75 °C	
Min. permitted storage temperature TL min.	-40 °C	
Max. permitted storage temperature TL max.	80 °C	

4.2 Climatic requirements *)

Humidity requirements	humid heat, constant; according to DIN EN 60068-2-78, 14 days	
Water exposure	None	
Dust requirements	None	
Salt fog requirements	None	

*) Permitted application area:

The product is intended for use in sheltered rooms with controlled temperature and controlled humidity. Directly exposure to water must be avoided.

Pollution degree 1 (according DIN EN 60664-1)

There is either no pollution or it occurs only dry, non-conductive pollution. The pollution has no negative impact. Please require severity levels and specification parameters from the responsible development departments

5 Safety

5.1 Electrical Safety

Dielectric strength DIN EN 60950 (VDE 0805) and DIN EN 60335 (VDE 0700) A.) Type test Measuring conditions: After 48h of storage at 95% R.H. and 25°C. No arcing or breakdown is allowed! All connections together to ground.	500 VAC / 1 Min.	
B.) Routine test Measuring conditions: At indoor climate. No arcing or breakdown is allowed! All connections together to ground.	500 VAC / 1 Sec.	
Isolation resistance Measuring conditions: After 48h of storage at 95% R.H. and 25°C measured with U=500 VDC for 1 min.	RI > 10 MOhm	
clearance / creepage distance	1,0 mm / 1,2 mm	
Protection class	III	

5.2 Approval Tests

CE	Yes
UL	Yes / UL507, Electric Fans
VDE	Yes / Approval acc. to EN 60950 (VDE 0805) - Information technology equipment
CSA	Yes / C22.2 No. 113 Fans and Ventilators
CCC	No

The approval tests are observed to:

U approval max.:15,0 V @ TU approval max.: 75,0 °C

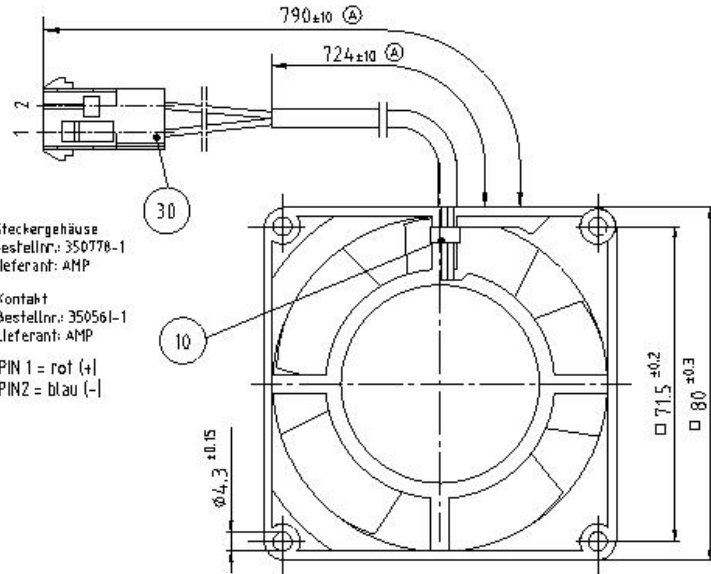
6 Reliability

6.1 General

Life expectancy L10 at TU = 40 °C	62.500 h	
Life expectancy L10 at TU max.	27.500 h	
Life expectancy L10 Delta (40 °C)	122.500 h	

Copying of this drawing and giving it to others and the use or communication of this technical drawing, even if only for internal use, is prohibited. All rights are reserved. In the event of the need for a partial or full reproduction of a fully made or design.

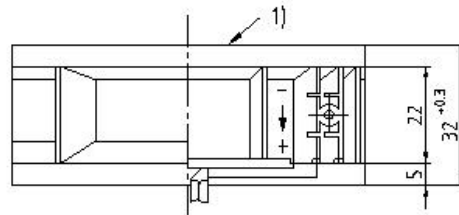
Spezialmessstab DIN 858 (ISO) beschreiben
Refer to protection within the ISO 858



Steckergehäuse
Bestellnr.: 350778-1
Lieferant: AMP

Kontakt
Bestellnr.: 350561-1
Lieferant: AMP

PIN 1 = rot (+)
PIN 2 = blau (-)



1) Rotorüberstand bis max. 0.4 zulässig
Axialspiel: |K| mit Feder ausgeglichen
(G) 0.1-0.5 mm

SRP-Steuer/Sicht	Teil-Nr./Change-Nr.	Artikel-Name/Varianten	ebmpapst	Werkstoff/Material	Volumen/Volume (mm ³)
		InterCode	CO ₂ -Umgebung/ CO ₂ -Environment		Gewicht/Mass (g)
		Bezeichnung/Description	Name/Name	Artikel/Title	
Trichterung/Flare:		Beitrag/ Drawn			
Allegemeinheiten/Sym. International		Geprüft/ Checked		Zug-Nr./Drawing-No.	Erst-Zug/Replaces
		Freigegeben/ Released	ebmpapst	Materialtyp/Type of Material	Teilnummer (Bauteil)/Part No.
			ebm-papst St. Georgen GmbH & Co. KG	Teil-Nr./Part No.	Formel/Skizze