

7856 ES

# AC axial compact fan



## ebm-papst St. Georgen GmbH & Co. KG

Hermann-Papst-Straße 1

78112 St. Georgen

Phone: +49 7724 81-0

Fax: +49 7724 81-1309

[www.fansco.com](http://www.fansco.com)

[sales@fansco.com](mailto:sales@fansco.com)

## Nominal data

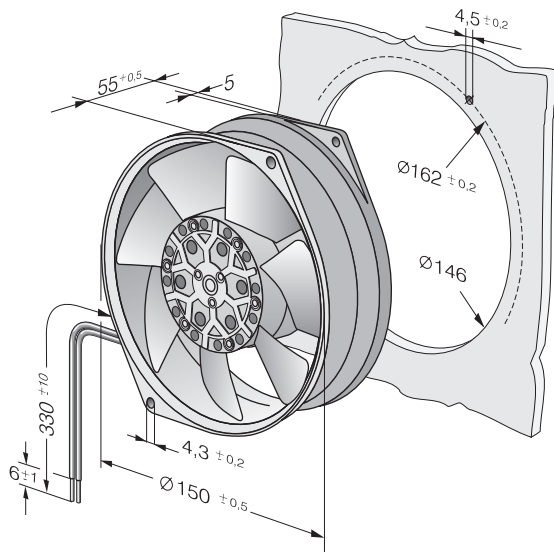
Type	7856 ES	
Nominal voltage	[VAC]	230
Frequency	[Hz]	50
Speed	[min <sup>-1</sup> ]	2800
Min. ambient temperature	[°C]	-30
Max. ambient temperature	[°C]	70
Air flow	[m <sup>3</sup> /h]	325
Sound power level	[B]	6,0
Sound pressure level	[dB(A)]	48

ml = max. load · me = max. efficiency · rfa = running at free air · cs = customer specs · cu = customer unit  
Subject to alterations

**Technical features**

<b>Dimensions</b>	150 Ø x 55 mm
<b>General description</b>	AC fan with external rotor shaded-pole motor.
<b>Connection line</b>	2 single strands. Housing with grounding lug and tapping screw M4 x 6 (TORX).
<b>Direction of protection</b>	Left, looking at rotor
<b>Direction of air flow</b>	Air exhaust over bars
<b>Bearing</b>	Ball bearings
<b>Lifetime L10 at 40 °C</b>	40000 h
<b>Lifetime L10 at maximum temperature</b>	12000 h
<b>Mass</b>	1.100 kg
<b>Housing material</b>	Metal
<b>Material of impeller</b>	Metal
<b>Motor protection</b>	Protected from overload by a thermal switch
<b>Approval</b>	VDE, CSA, UL, CE

## Product drawing



## Charts: Air flow

