

**ebm-papst St. Georgen GmbH & Co. KG**

Hermann-Papst-Str. 1

D-78112 St. Georgen

Phone +49 (0) 7724 81-0

Fax +49 (0) 7724 81-1309

sales@fansco.com

www.fansco.com

**Nominal data**

Type	634 NU	
Nominal voltage	VDC	24
Nominal voltage range	VDC	12 .. 30
Speed (rpm)	min <sup>-1</sup>	5900
Power consumption	W	1.6
Min. ambient temperature	°C	-20
Max. ambient temperature	°C	70
Air flow	m <sup>3</sup> /h	40
Sound power level	B	5.1
Sound pressure level	dB(A)	34

ml = Max. load · me = Max. efficiency · fa = Free air · cs = Customer specification · ce = Customer equipment  
Subject to change

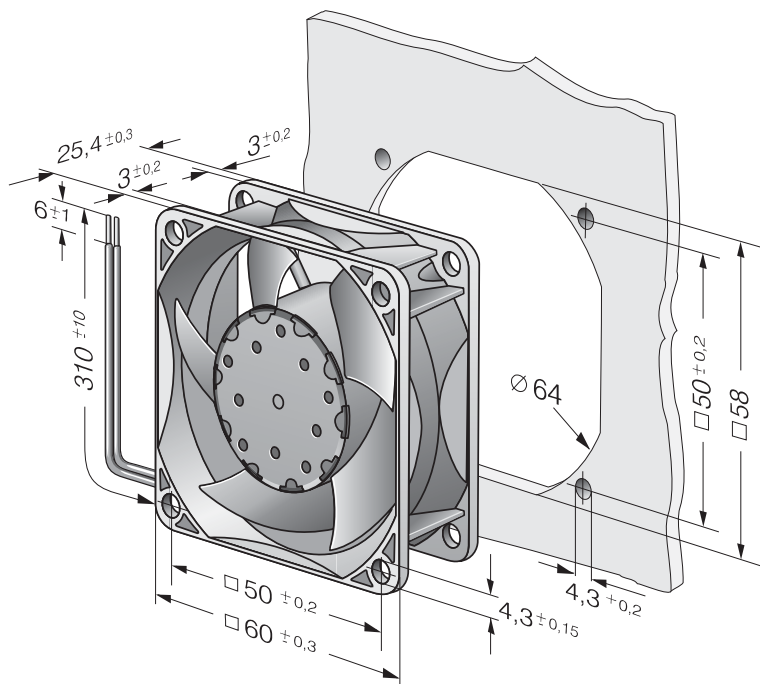


### Technical description

<b>General description</b>	Developed for applications with high environmental requirements
<b>Housing material</b>	Glass-fiber reinforced PBT plastic
<b>Impeller material</b>	Glass-fiber reinforced PA plastic
<b>Weight</b>	0.070 kg
<b>Dimensions</b>	60 x 60 x 25 mm
<b>Airflow direction</b>	Exhaust over struts
<b>Direction of rotation</b>	Clockwise, viewed toward rotor
<b>Storage</b>	Ball bearing
<b>Service life L10 at 40 °C</b>	85000 h
<b>Service life L10 at maximum temperature</b>	42500 h
<b>Cable</b>	With leads AWG 22, TR 64
<b>Option</b>	Possible custom designs: Speed signal Go / No-go alarm Alarm with speed limit External temperature sensor PWM control input Analog control input Moisture protection Salt spray protection Degree of protection: IP54 / IP68



## Product drawing



## Curves

