

**ebm-papst St. Georgen GmbH & Co. KG**

Hermann-Papst-Str. 1  
 D-78112 St. Georgen  
 Phone +49 (0) 7724 81-0  
 Fax +49 (0) 7724 81-1309  
 sales@fansco.com  
 www.fansco.com

**Nominal data**

Type	6318 /2 TDHP	
Nominal voltage	VDC	48
Nominal voltage range	VDC	36 .. 72
Speed (rpm)	min <sup>-1</sup>	5500
Power consumption	W	40
Min. ambient temperature	°C	-20
Max. ambient temperature	°C	75
Air flow	m <sup>3</sup> /h	600
Sound power level	B	7.3
Sound pressure level	dB(A)	60

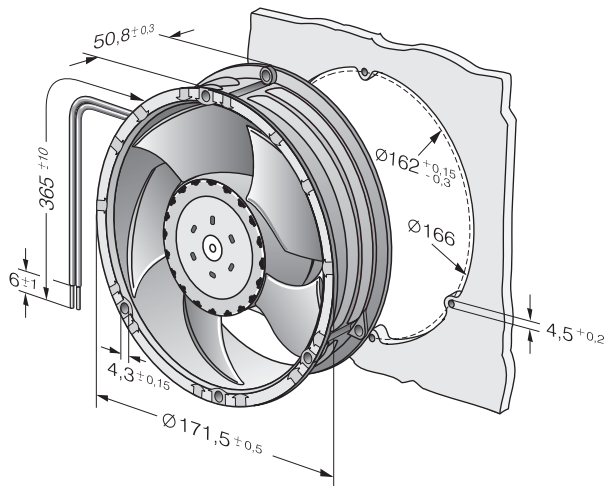
ml = Max. load · me = Max. efficiency · fa = Free air · cs = Customer specification · ce = Customer equipment  
 Subject to change



## Technical description

<b>General description</b>	3-phase fan drive with very smooth operation and high efficiency Housing with grounding lug for M4 x 8 screw (Torx) Power consumption when wide open; these values may be considerably higher at the operating point.
<b>Weight</b>	0.910 kg
<b>Dimensions</b>	Ø 172 x 51 mm
<b>Impeller material</b>	Glass-fiber reinforced PA plastic
<b>Housing material</b>	Die-cast aluminum
<b>Airflow direction</b>	Exhaust over struts
<b>Direction of rotation</b>	Counterclockwise, viewed toward rotor
<b>Storage</b>	Ball bearing
<b>Service life L10 at 40 °C</b>	75000 h
<b>Service life L10 at maximum temperature</b>	30000 h
<b>Cable</b>	With leads AWG 18, 20 or AWG 22, TR 64, speed signal and control input AWG 22
<b>Motor protection</b>	Protection against reverse polarity and blocked rotor.

## Product drawing



Curves

