

6248 NT

DC axial compact fan



ebm-papst St. Georgen GmbH & Co. KG

Hermann-Papst-Straße 1

D-78112 St. Georgen

Phone: +49(0)7724/81-0

Fax: +49(0)7724/81-1309

sales@fansco.com

www.fansco.com

Nominal data

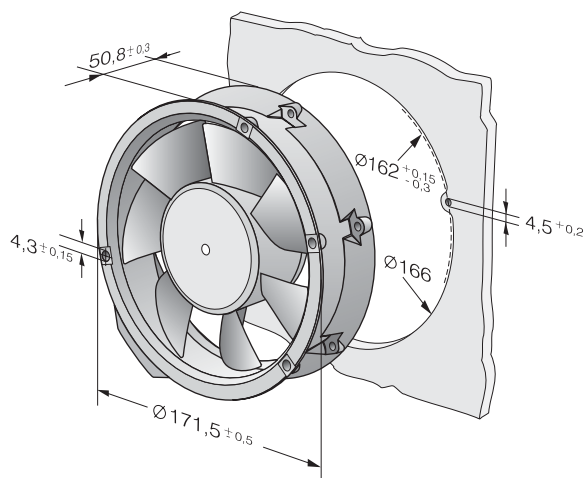
| Type | 6248 NT | |
|--------------------------|-------------------|----------|
| Nominal voltage | VDC | 48 |
| Nominal voltage range | VDC | 28 .. 60 |
| Speed | min ⁻¹ | 3400 |
| Power input | W | 17.0 |
| Min. ambient temperature | °C | -10 |
| Max. ambient temperature | °C | 72 |
| Air flow | m ³ /h | 410 |
| Sound power level | B | 6.1 |
| Sound pressure level | dB(A) | 55 |

ml = max. load · me = max. efficiency · rfa = running at free air · cs = customer specs · cu = customer unit
Subject to alterations

Technical features

| | |
|--|---|
| Dimensions | 172 Ø x 51 mm |
| General description | DC fan with electronically commutated external rotor motor. Commutation electronics completely integrated. Optional Vario-Pro: Highly flexible software configuration for the fan ensures an easily customizable solution to meet the individual requirements of your application. |
| Connection line | 2 flat plugs 3.0 x 0.5 mm. Housing with grounding lug for screw M4 x 8 (TORX), with screws. |
| Locked-rotor protection | Electronic blocking protection, with electronic motor current limit in the startup phase and when the rotor is blocked. |
| Direction of rotation | Left, looking at rotor |
| Direction of air flow | Air exhaust over bars |
| Bearing | Ball bearings |
| Lifetime L10 at 40 °C | 77500 h |
| Lifetime L10 at maximum temperature | 35000 h |
| Mass | 0.820 kg |
| Housing material | Metal |
| Material of impeller | Fiberglass-reinforced PA plastic |
| Motor protection | With electronic reverse polarity protection. The fan runs only if the polarity is correct. |
| Approval | VDE, CSA, UL, CE |

Product drawing



Charts: Air flow

