

Product Data Sheet # 6248 NI

ebmpapst

Die Wahl der Ingenieure



6248 NI

INDEX

1	General	3
2	Mechanics	3
2.1	General.....	3
2.2	Connections.....	3
3	Operating Data	5
3.1	Operating Data - Electrical Interface - Input.....	5
3.2	Electrical Operating Data	6
3.3	Operating Data - Electrical Interface -Output	7
3.4	Electrical Features.....	7
3.5	Aerodynamic.....	8
3.6	Sound Data.....	9
4	Environment	9
4.1	General.....	9
4.2	Climatic requirements*)	9
5	Safety	10
5.1	Electrical Safety.....	10
5.2	Approval Tests	10
6	Reliability	10
6.1	General.....	10

1 General

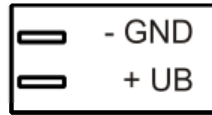
Fan type	Fan	
Rotational direction looking at rotor	counterclockwise	
Airflow direction	Air outlet over struts	
Bearing system	Ball bearing	
Mounting position	any	

2 Mechanics**2.1 General**

Depth	51,0 mm	
Diameter	172,0 mm	
Weight	0,780 kg	
Housing material	Metal	
Impeller material	Plastic	
Max. torque when mounted across both mounting flanges	wire outlet corner: 600 Ncm remaining corners: 600 Ncm	
Screw size	ISO 4762 - M4 degreased, without an additional brace and without washer	

2.2 Connections

Electrical connection	Plug	
Length of lead wire		
Tolerance		
Wire gauge (AWG)		
Insulation diameter		
Contact	see drawing	



3 Operating Data

3.1 Operating Data - Electrical Interface - Input

Control input

Internal Temperature Sensor

Features

<p>Characteristics</p>	<table border="1"> <caption>Graph Data: Drehzahl / speed [1/min] vs Umgebungstemperatur / Ambient temperature [°C]</caption> <thead> <tr> <th>Umgebungstemperatur [°C]</th> <th>Drehzahl / speed [1/min]</th> </tr> </thead> <tbody> <tr><td>-10</td><td>1700</td></tr> <tr><td>0</td><td>1700</td></tr> <tr><td>10</td><td>1700</td></tr> <tr><td>20</td><td>1700</td></tr> <tr><td>30</td><td>1700</td></tr> <tr><td>40</td><td>2500</td></tr> <tr><td>50</td><td>3400</td></tr> <tr><td>60</td><td>3400</td></tr> <tr><td>70</td><td>3400</td></tr> <tr><td>80</td><td>3400</td></tr> </tbody> </table>	Umgebungstemperatur [°C]	Drehzahl / speed [1/min]	-10	1700	0	1700	10	1700	20	1700	30	1700	40	2500	50	3400	60	3400	70	3400	80	3400
Umgebungstemperatur [°C]	Drehzahl / speed [1/min]																						
-10	1700																						
0	1700																						
10	1700																						
20	1700																						
30	1700																						
40	2500																						
50	3400																						
60	3400																						
70	3400																						
80	3400																						
<p>Schematics</p>	<p>Lüfter / Fan</p> <p>Kunde / Customer</p> <p>+ UB</p> <p>+ Interne Ref. / + Internal ref.</p> <p>Eingang / Input</p> <p>NTC</p> <p>- GND</p>																						

3.2 Electrical Operating Data

Measurement conditions: Normal air density = 1,2 kg/m³; Temperature 23°C +/- 3°C; Motor axis horizontal; warm-up time before measuring 5 minutes (unless otherwise specified). In the intake and outlet area should not be any solid obstruction within 0,5 m.

$\Delta p = 0$: corresp. to free air flow (see section 3.5)
 I: corresp. to arithm. mean current value

Name	Condition
TU 0001	TU: ≥ 50 °C
NTC 0001	

Features	Condition	Symbol	Values		
Voltage range	$\Delta p = 0$	U	28,0 V		60,0 V
Nominal voltage	$\Delta p = 0$	U_N		48,0 V	
Power consumption	$\Delta p = 0$	P	4,5 W +/- 15,0 %	16,0 W +/- 15,0 %	21,0 W +/- 15,0 %
Tolerance	TU / NTC 0001				
Current consumption	$\Delta p = 0$	I	160 mA +/- 15,0 %	335 mA +/- 15,0 %	350 mA +/- 15,0 %
Tolerance	TU / NTC 0001				
Speed	$\Delta p = 0$	n	2.150 1/min +/- 10,0 %	3.400 1/min +/- 8,0 %	3.820 1/min +/- 10,0 %
Tolerance	TU / NTC 0001				
Starting current consumption				≤ 1.000 mA	
Inrush current				4.000 mA	

Tu ≥ 50 °C or broken Sensor.

Name	Condition		
TU 0002	TU: $\leq 30\text{ }^{\circ}\text{C}$		
NTC 0002			

Features	Condition	Symbol	Values		
Voltage range	$\Delta p = 0$	U	28,0 V		60,0 V
Nominal voltage	$\Delta p = 0$	U_N		48,0 V	
Power consumption	$\Delta p = 0$	P	3,0 W +/- 15,0 %	3,5 W +/- 15,0 %	3,6 W +/- 15,0 %
Tolerance	TU / NTC 0002				
Current consumption	$\Delta p = 0$	I	110 mA +/- 15,0 %	72 mA +/- 15,0 %	60 mA +/- 15,0 %
Tolerance	TU / NTC 0002				
Speed	$\Delta p = 0$	n	1.600 1/min +/- 10,0 %	1.700 1/min +/- 8,0 %	1.700 1/min +/- 10,0 %
Tolerance	TU / NTC 0002				

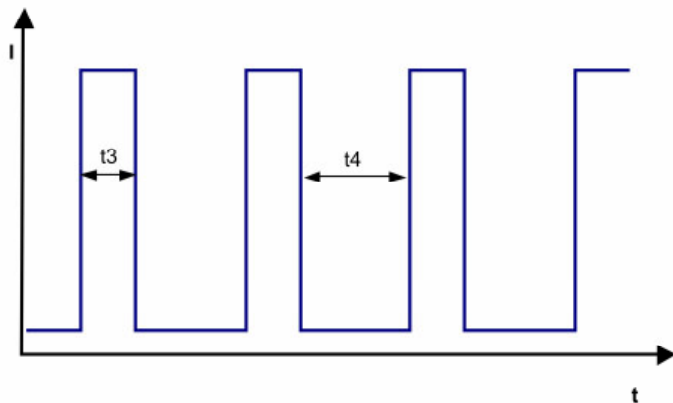
3.3 Operating Data - Electrical Interface -Output

Tacho type	None
------------	------

Alarm type	None
------------	------

3.4 Electrical Features

Electronic function	Speed-Controlled	
Reversed polarity protection	Rectifying diode	
Max. residual current at U_N	$I_F \leq 10\text{ mA}$	
Locked rotor protection	Auto restart	
Locked rotor current at U_N	approx. 800 mA	
Clock signal t_3/t_4 at locked rotor	Typical: 0,5 s / 5,0 s	



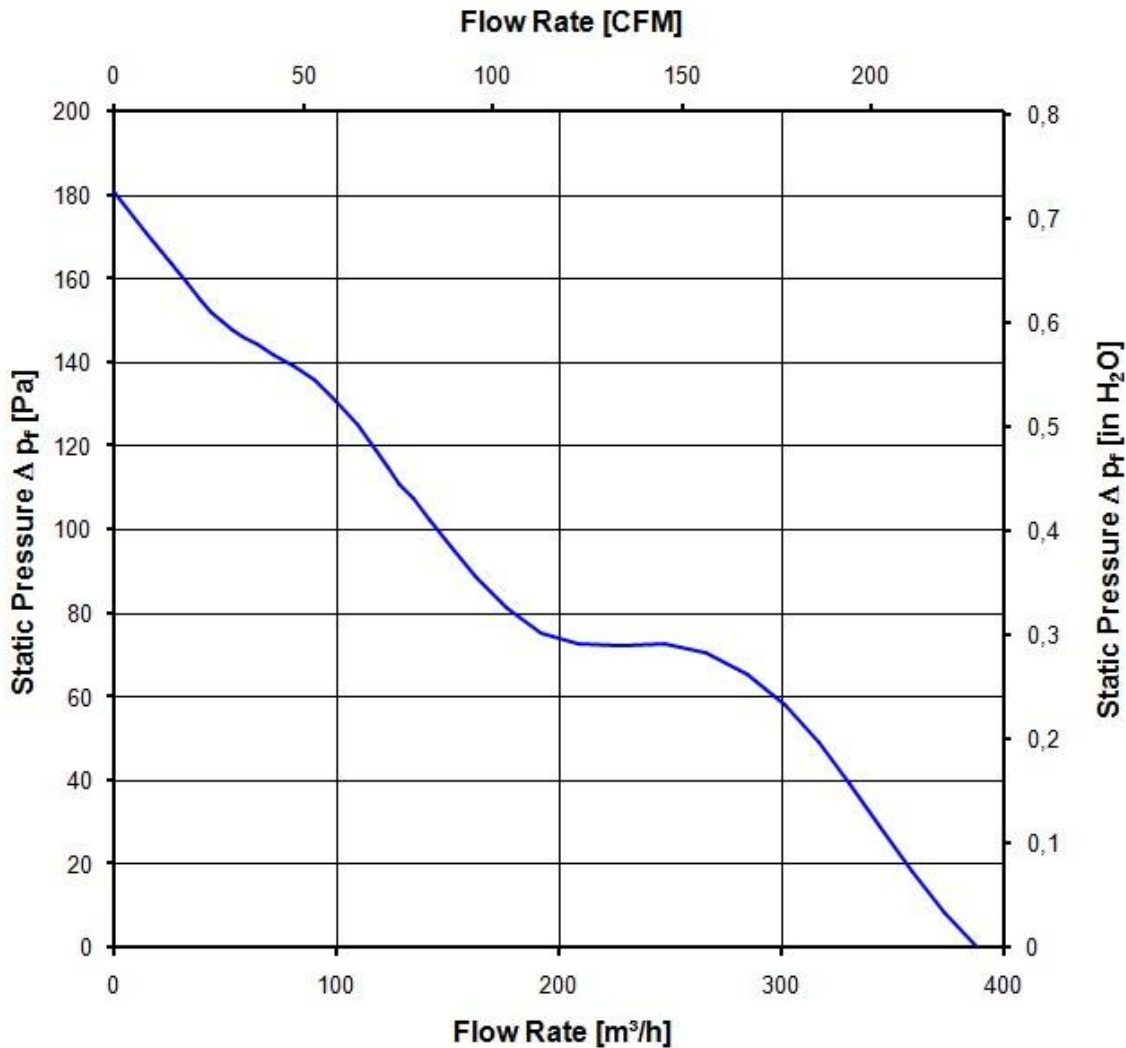
3.5 Aerodynamic

Measurement conditions: Measured with a double chamber intake rig acc. to DIN EN ISO 5801.
 Normal air density = 1,2 kg/m³; Temperature 23°C +/- 3°C;
 In the intake and outlet area should not be any solid obstruction within 0,5 m.
 The information is only valid under the specified test conditions and may be changed by the installation conditions. If there are deviations from the standard test conditions, the characteristic values must be checked under the installed conditions.

a.) Operation condition:

3.400 1/min at free air flow	TU >= 50 °C		
------------------------------	-------------	--	--

Max. free-air flow ($\Delta p = 0 / \dot{V} = \text{max.}$)	390,0 m ³ /h	
Max. static pressure ($\Delta p = \text{max.} / \dot{V} = 0$)	180 Pa	



3.6 Sound Data

Measurement conditions: Sound pressure level: 1 Meter distance between microphone and the air intake.
 Sound power level: Acc. to DIN 45635 part 38 (ISO 10302)
 Measured in a semianchoic chamber with a background noise level of $L_p(A) < 5 \text{ dB}(A)$
 For further measurement conditions see section 3.5

a.) Operation condition:

3.400 1/min at free air flow	TU $\geq 50 \text{ }^\circ\text{C}$		
------------------------------	-------------------------------------	--	--

Optimal operating point	285,0 m ³ /h @ 58 Pa	
Sound power level at the optimal operating point	6,1 bel(A)	
Sound pressure level at free air flow, measured in rubber bands	55,0 dB(A)	

4 Environment

4.1 General

Min. permitted ambient temperature TU min.	-10 $^\circ\text{C}$	
Max. permitted ambient temperature TU max.	72 $^\circ\text{C}$	
Min. permitted storage temperature TL min.	-40 $^\circ\text{C}$	
Max. permitted storage temperature TL max.	80 $^\circ\text{C}$	

4.2 Climatic requirements*)

Humidity requirements	humid heat, constant; according to DIN EN 60068-2-78, 14 days	
Water exposure	None	
Dust requirements	None	
Salt fog requirements	None	

*) Permitted application area:

The product is intended for use in sheltered rooms with controlled temperature and controlled humidity. Directly exposure to water must be avoided.

Pollution degree 1 (according DIN EN 60664-1)

There is either no pollution or it occurs only dry, non-conductive pollution. The pollution has no negative impact.

5 Safety

5.1 Electrical Safety

Dielectric strength DIN EN 60950 (VDE 0805) and DIN EN 60335 (VDE 0700) A.) Type test Measuring conditions: After 48h of storage at 95% R.H. and 25°C. No arcing or breakdown is allowed! All connections together to ground. B.) Routine test Measuring conditions: At indoor climate. No arcing or breakdown is allowed! All connections together to ground.	500 VAC / 1 Min. 500 VAC / 1 Sec.	
Isolation resistance Measuring conditions: After 48h of storage at 95% R.H. and 25°C measured with U=500 VDC for 1 min.	RI > 10 MOhm	
clearance / creepage distance	1,0 mm / 1,5 mm	
Protection class	III	

5.2 Approval Tests

CE	EC Declaration of Conformity	No
EAC	Eurasian Conformity	Yes
UL	Underwriters Laboratories	Yes / UL507, Electric Fans
VDE	Association for Electrical, Electronic and Information Technologies	Yes / Approval acc. to EN 60950 (VDE 0805) - Information technology equipment
CSA	Canadian Standards Association	Yes / CSA audited by UL according to C22.2 No. 113 Fans and Ventilators
CCC	China Compulsory Certification	Yes / GB 12350 Safety Requirements for small Power Motors

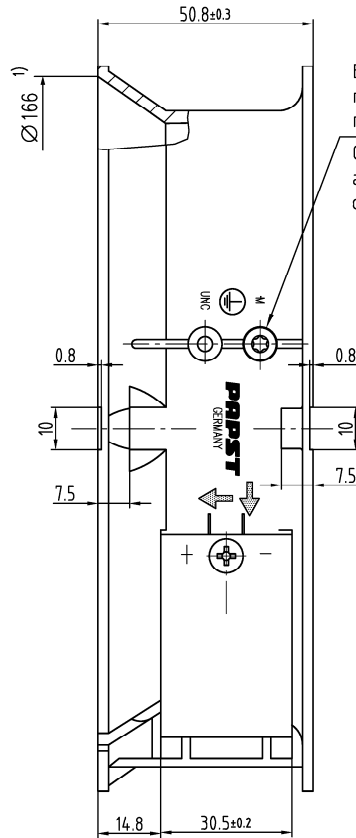
6 Reliability

6.1 General

Life expectancy L10 at TU = 40 °C	75.000 h	
Life expectancy L10 at TU max.	35.000 h	
Life expectancy L10 IPC (40 °C)	127.500 h	

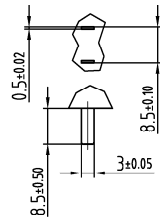
Copy of this document and giving it to others and the use or communication of the contents thereof are prohibited without the express written consent of the copyright holder. All rights are reserved in the event of the grant of a patent or the registration of a utility model or design.

Schutzzeichen nach DIN ISO 16045 beachtet!
Refer to protection notice DIN ISO 16045!



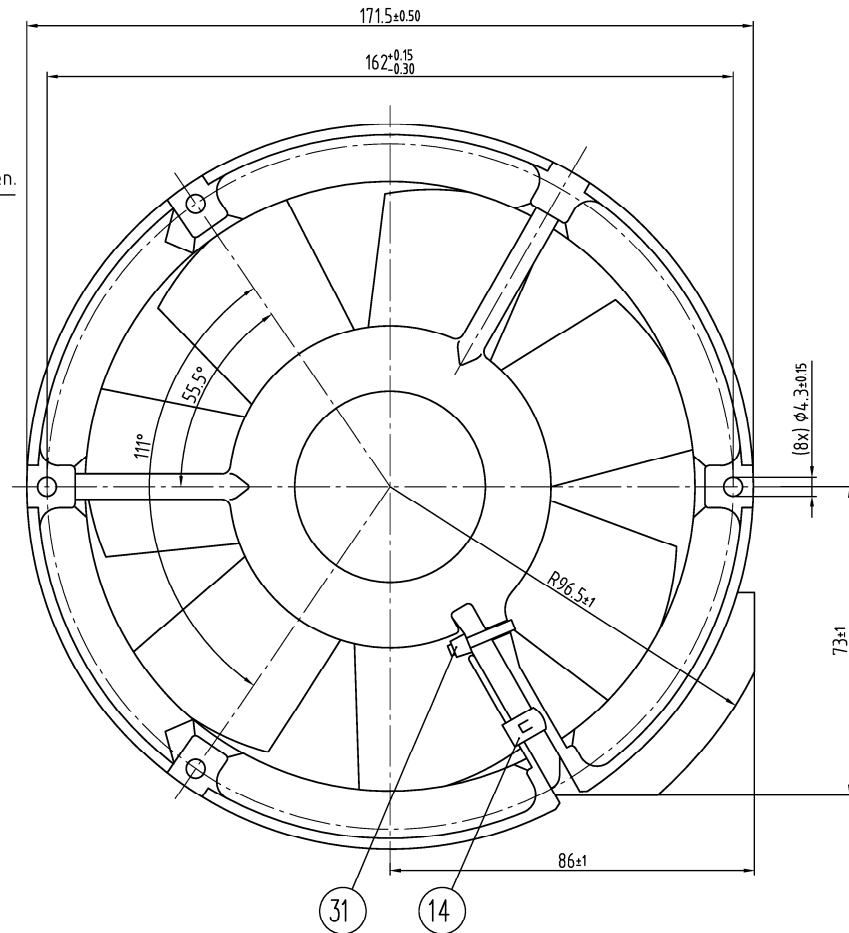
Ⓜ
Erdungsschraube Duo-Taptite
nach DIN 7500, CM 4x8, Torx
nur, wenn in Unterstückliste enthalten.
Grounding screw Duo-Taptite
according to DIN 7500, CM 4x8, Torx
only, if contained in sub-bill of material

Maße für Steckeranschluss
dimensions for plug connector



- Axialspiel: mit Feder spielfrei verspannt
1) Maße für Montagewand

- without axial clearance by a pre-loaded spring
1) dimensions for assembly wall



SAP-Status/State	Änd.-Nr./Change-No.	AutoCAD-System-Version Datum/Date	ebmpapst CAD-Umgebung/ CAD-Umwelt Name/Name	Werkstoff/Material:	Volumen/Volume (mm ³):
		Bearb./ Drawn			Gewicht/Mass (g):
Tolerierung/Tolerances:		Gepr./ Checked		Artikel/Title	
Allgemeintoleranzen/Gen. tolerances:		Freig./ Released.		Zchg.-Nr./Drawing-No.:	Ers.f.Zchg./Replaces:
ebmpapst					
ebm-papst St. Georgen GmbH & Co. KG			Dokumenttyp/Type of Document	Teildokument (Blatt/Pagel)	Index/Index
			Format/Size	Massstab/Scale	