

**ebm-papst St. Georgen GmbH & Co. KG**

Hermann-Papst-Straße 1

D-78112 St. Georgen

Phone: +49(0)7724/81-0

Fax: +49(0)7724/81-1309

sales@fansco.com

www.fansco.com

Nominal data

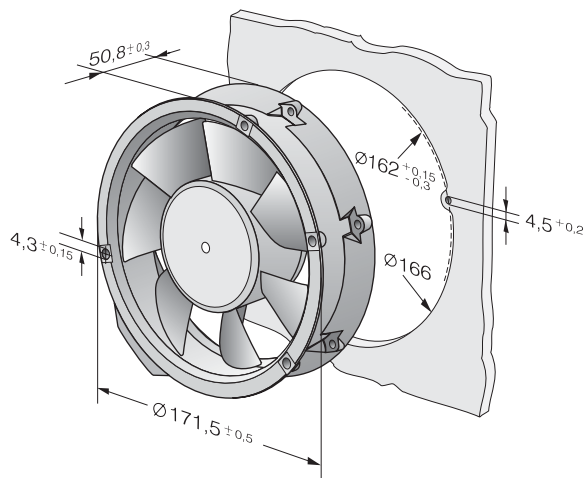
Type	6224 NTDA	
Nominal voltage	VDC	24
Nominal voltage range	VDC	16 .. 28
Speed	min ⁻¹	5100
Power input	W	50.0
Min. ambient temperature	°C	-20
Max. ambient temperature	°C	60
Air flow	m ³ /h	600
Sound power level	B	7.4
Sound pressure level	dB(A)	65

ml = max. load · me = max. efficiency · rfa = running at free air · cs = customer specs · cu = customer unit
Subject to alterations

Technical features

Dimensions	172 Ø x 51 mm
General description	Very smooth running 3-phase fan drive. Very rigid compression curve for high air flow at high counterpressure. Electronic commutation completely integrated.
Connection line	Single strands AWG 22, TR 64, bared and tin-plated.
Direction of rotation	Left, looking at rotor, reversing the direction of rotation optional
Direction of air flow	Air exhaust over bars
Note	Only a customer-specific, custom-developed variant is available for this model. The data specified here are technically feasible benchmark values. The fans can be specially adapted to your application with signal outputs and control inputs.
Bearing	Ball bearings
Lifetime L10 at 40 °C	70000 h
Mass	0.820 kg
Housing material	Aluminum. Housing with grounding lug for screw M4 x 8 (TORX).
Material of impeller	Fiberglass-reinforced PA plastic
Motor protection	Protected against reverse polarity and locking.
Approval	VDE, CSA, UL, CE

Product drawing



Charts: Air flow

