

**ebm-papst St. Georgen GmbH & Co. KG**

Hermann-Papst-Str. 1  
 D-78112 St. Georgen  
 Phone +49 (0) 7724 81-0  
 Fax +49 (0) 7724 81-1309  
 sales@fansco.com  
 www.fansco.com

**Nominal data**

| Type                     | 614 J/2HHP        |          |
|--------------------------|-------------------|----------|
| Nominal voltage          | VDC               | 24       |
| Nominal voltage range    | VDC               | 18 .. 30 |
| Speed (rpm)              | min <sup>-1</sup> | 15000    |
| Power consumption        | W                 | 14.6     |
| Min. ambient temperature | °C                | -20      |
| Max. ambient temperature | °C                | 75       |
| Air flow                 | m <sup>3</sup> /h | 82       |
| Sound power level        | B                 | 7.6      |
| Sound pressure level     | dB(A)             | 62       |

ml = Max. load · me = Max. efficiency · fa = Free air · cs = Customer specification · ce = Customer equipment  
 Subject to change

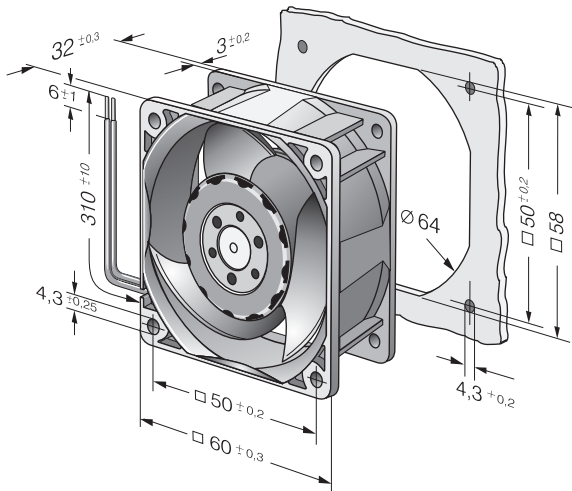


### Technical description

|                                                |                                                                                                                                                                                           |
|------------------------------------------------|-------------------------------------------------------------------------------------------------------------------------------------------------------------------------------------------|
| <b>Housing material</b>                        | Glass-fiber reinforced PBT plastic                                                                                                                                                        |
| <b>Impeller material</b>                       | Glass-fiber reinforced PA plastic                                                                                                                                                         |
| <b>Weight</b>                                  | 0.1 kg                                                                                                                                                                                    |
| <b>Dimensions</b>                              | 60 x 60 x 32 mm                                                                                                                                                                           |
| <b>Airflow direction</b>                       | Exhaust over struts                                                                                                                                                                       |
| <b>Direction of rotation</b>                   | Clockwise, viewed toward rotor                                                                                                                                                            |
| <b>Storage</b>                                 | Ball bearing                                                                                                                                                                              |
| <b>Service life L10 at 40 °C</b>               | 65000 h                                                                                                                                                                                   |
| <b>Service life L10 at maximum temperature</b> | 25000 h                                                                                                                                                                                   |
| <b>Cable</b>                                   | With leads AWG 24, TR 64                                                                                                                                                                  |
| <b>Option</b>                                  | Possible custom designs:<br>Speed signal<br>Go / No-go alarm<br>Alarm with speed limit<br>External temperature sensor<br>PWM control input<br>Analog control input<br>Moisture protection |



## Product drawing



## Curves

