

**ebm-papst St. Georgen GmbH & Co. KG**

Hermann-Papst-Str. 1
 D-78112 St. Georgen
 Phone +49 (0) 7724 81-0
 Fax +49 (0) 7724 81-1309
 sales@fansco.com
 www.fansco.com

Nominal data

| Type | 5900 | |
|--------------------------|-------------------|------|
| Phase | | 1~ |
| Nominal voltage | VAC | 115 |
| Frequency | Hz | 60 |
| Speed (rpm) | min ⁻¹ | 3050 |
| Power consumption | W | 17.0 |
| Min. ambient temperature | °C | -20 |
| Max. ambient temperature | °C | 55 |
| Air flow | m ³ /h | 206 |
| Sound power level | B | 5.7 |
| Sound pressure level | dB(A) | 46 |

ml = Max. load · me = Max. efficiency · fa = Free air · cs = Customer specification · ce = Customer equipment
 Subject to change

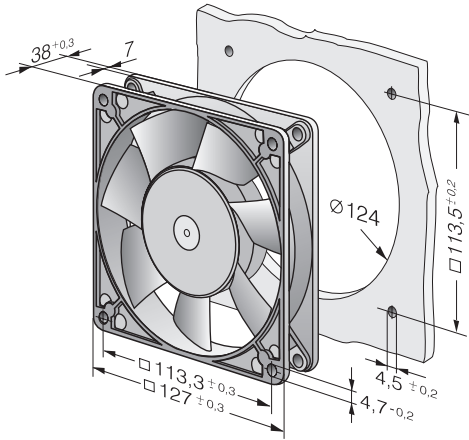


Technical description

| | |
|--|---|
| Weight | 0.570 kg |
| Dimensions | 127 x 127 x 38 mm |
| Impeller material | Glass-fiber reinforced PA plastic |
| Housing material | Die-cast aluminum |
| Airflow direction | Exhaust over struts |
| Direction of rotation | Counterclockwise, viewed toward rotor |
| Storage | Sintec sleeve bearing |
| Service life L10 at 40 °C | 42500 h |
| Service life L10 at maximum temperature | 30000 h |
| Cable | 2 flat plugs 2.8 x 0.5 mm. Housing with grounding lug for M4 x 6. |
| Motor protection | Protected from overload by impedance protection |
| Approval | VDE, CSA, UL, CE |



Product drawing



Curves: Air performance

