

**ebm-papst St. Georgen GmbH & Co. KG**

Hermann-Papst-Str. 1

D-78112 St. Georgen

Phone +49 (0) 7724 81-0

Fax +49 (0) 7724 81-1309

sales@fansco.com

www.fansco.com

Nominal data

Type	5118 NL	
Nominal voltage	VDC	48
Nominal voltage range	VDC	24 .. 60
Speed (rpm)	min ⁻¹	1400
Power consumption	W	2.6
Min. ambient temperature	°C	-25
Max. ambient temperature	°C	72
Air flow	m ³ /h	122
Sound power level	B	4.1
Sound pressure level	dB(A)	28

ml = Max. load · me = Max. efficiency · fa = Free air · cs = Customer specification · ce = Customer equipment
Subject to change

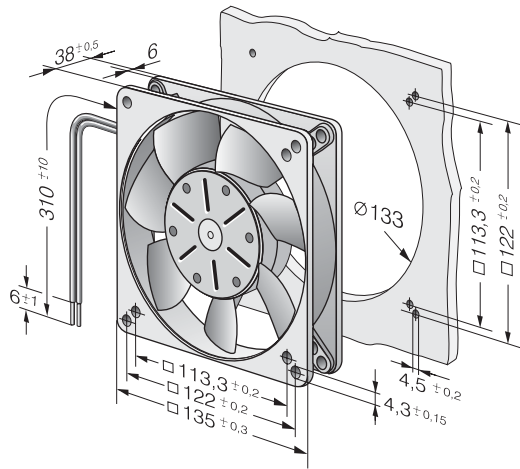


Technical description

Weight	0.650 kg
Dimensions	135 x 135 x 38 mm
Impeller material	Metal
Housing material	Metal
Airflow direction	Exhaust over struts
Direction of rotation	Counterclockwise, viewed toward rotor
Storage	Ball bearing
Service life L10 at 40 °C	85000 h
Service life L10 at maximum temperature	40000 h
Cable	2 leads AWG 22, TR 64. Housing with grounding lug for M4 x 8 screw (Torx), with screws.
Motor protection	With electronic reverse polarity protection. The fan only starts when connected with correct polarity.
Locked-rotor protection	Electronic locked-rotor protection
Approval	CE



Product drawing



Curves: Air performance

