

ebm-papst St. Georgen GmbH & Co. KG

Hermann-Papst-Str. 1

D-78112 St. Georgen

Phone +49 (0) 7724 81-0

Fax +49 (0) 7724 81-1309

sales@fansco.com

www.fansco.com

Nominal data

Type	4412 FGL-573	
Nominal voltage	VDC	12
Nominal voltage range	VDC	7 .. 15
Power consumption	W	1.2
Max. ambient temperature	°C	75
Air flow	m ³ /h	91
Sound power level	B	3.9
Sound pressure level	dB(A)	26

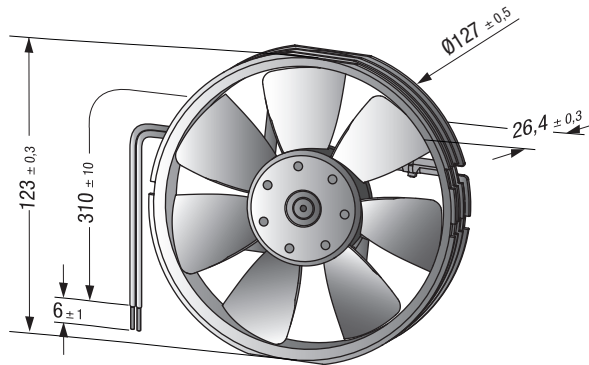
ml = Max. load · me = Max. efficiency · fa = Free air · cs = Customer specification · ce = Customer equipment
Subject to change

Technical description

Weight	0.17 kg
Dimensions	127 x 127 mm
Airflow direction	Exhaust over struts
Direction of rotation	Counterclockwise, viewed toward rotor
Service life L10 at 40 °C	80000 h
Service life L10 at maximum temperature	32500 h
Cable	With leads AWG 24, TR 64



Product drawing



Curves

