

Product Data Sheet 4314 NH

ebmpapst

The engineer's choice



4314 NH**INDEX**

| | | |
|----------|---------------------------------|-----------|
| 1 | General | 3 |
| 2 | Mechanics | 3 |
| 2.1 | General..... | 3 |
| 2.2 | Connections..... | 3 |
| 3 | Operating Data | 4 |
| 3.1 | Electrical Operating Data | 4 |
| 3.2 | Electrical Features | 4 |
| 3.3 | Aerodynamics..... | 6 |
| 3.4 | Sound Data..... | 8 |
| 4 | Environment | 8 |
| 4.1 | General..... | 8 |
| 4.2 | Climatic Requirements | 8 |
| 4.3 | Mechanical Requirements..... | 8 |
| 5 | Safety | 10 |
| 5.1 | Electrical Safety | 10 |
| 5.2 | Approval Tests..... | 10 |
| 6 | Reliability | 10 |
| 6.1 | General..... | 10 |

1 General

| | | |
|-------------------------------------|------------------------|--|
| Fan type | Fan | |
| Rotating direction looking at rotor | Clockwise | |
| Airflow direction | Air outlet over struts | |
| Bearing system | Ball bearing | |
| Mounting position - shaft | Any | |

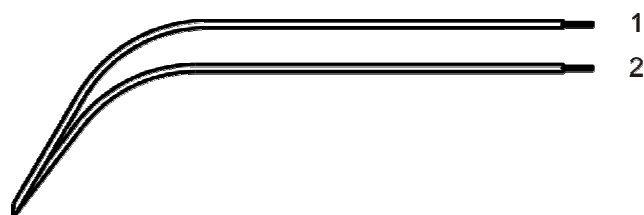
2 Mechanics

2.1 General

| | | |
|---|---|--|
| Width | 119,0 mm | |
| Height | 119,0 mm | |
| Depth | 32 mm | |
| Mass | 0,23 kg | |
| Housing material | Plastic | |
| Impeller material | Plastic | |
| Max. torque when mounted across both mounting flanges | Wire outlet corner: 80 Ncm Remaining corners: 80 Ncm | |
| Screw size | ISO 4762 - M4 degreased, without an additional brace and without washer | |
| Rotor protrusion max. | 0,4 mm | |

2.2 Connections

| | | |
|-----------------------|-------------|--|
| Electrical connection | Wires | |
| Lead wire length | L = 310 mm | |
| Tolerance | + - 10,0 mm | |
| Wire size (AWG) | 24 | |
| Insulation diameter | 1,5 mm | |



| Wire | Color | Operation |
|------|-------|-----------|
| 1 | red | + UB |
| 2 | blue | - GND |

3 Operating Data

3.1 Electrical Operating Data

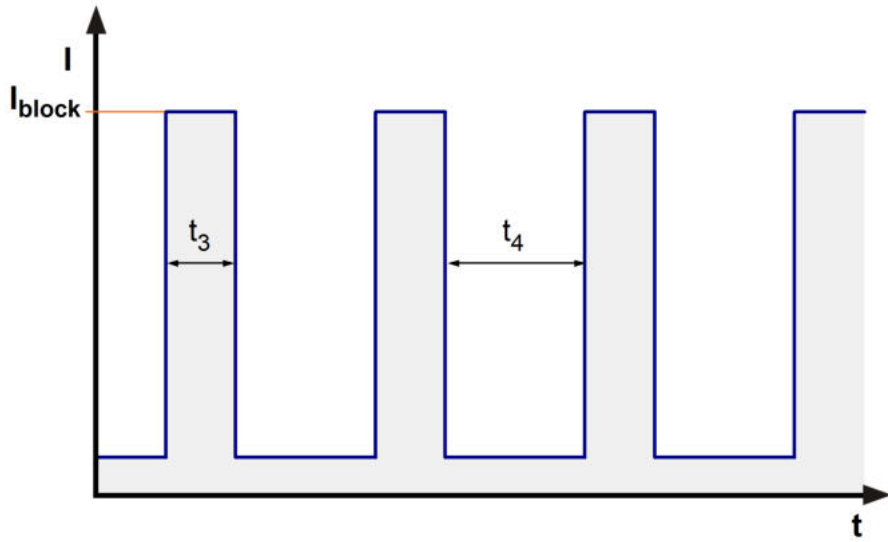
Measurement conditions: Normal air density = 1,2 kg/m³; Temperature 23°C +/- 3°C; Motor axis horizontal; warm-up time before measuring 5 minutes (unless otherwise specified). In the intake and outlet area should not be any solid obstruction within 0,5 m.

$\Delta p = 0$: corresp. to free air flow (see chapter aerodynamics)
I: corresp. to arithm. mean current value

| Features | Condition | Symbol | Values | | |
|------------------------------|----------------|--------|-------------|-------------|-------------|
| Voltage range | | U | 12 V | | 28 V |
| Nominal voltage | | U_N | | 24 V | |
| Power consumption | $\Delta p = 0$ | P | 1,5 W | 6,7 W | 9,4 W |
| Tolerance | 0010 | | +/- 17,5 % | +/- 12,5 % | +/- 15 % |
| Current consumption | $\Delta p = 0$ | I | 125 mA | 280 mA | 340 mA |
| Tolerance | 0010 | | +/- 17,5 % | +/- 12,5 % | +/- 15 % |
| Speed | $\Delta p = 0$ | n | 1.850 1/min | 3.150 1/min | 3.500 1/min |
| Tolerance | 0010 | | +/- 12,5 % | +/- 7,5 % | +/- 10 % |
| Starting current consumption | | | | 1.100 mA | |

3.2 Electrical Features

| | | |
|--------------------------------|----------------------------------|--|
| Electronic function | None | |
| Reversed polarity protection | Rectifying diode | |
| Max. residual current at U_N | $I_F < 100 \mu A$ | |
| Locked rotor protection | Auto restart | |
| Locked rotor current at U_N | I_{block} approx. 700 mA | |
| Clock signal at locked rotor | t_3 / t_4 typical: 0,5 s / 3 s | |



3.3 Aerodynamics

Measurement conditions:

Measured with a double chamber intake rig acc. to DIN EN ISO 5801.

Normal air density = 1,2 kg/m³; Temperature 23°C +/- 3°C;

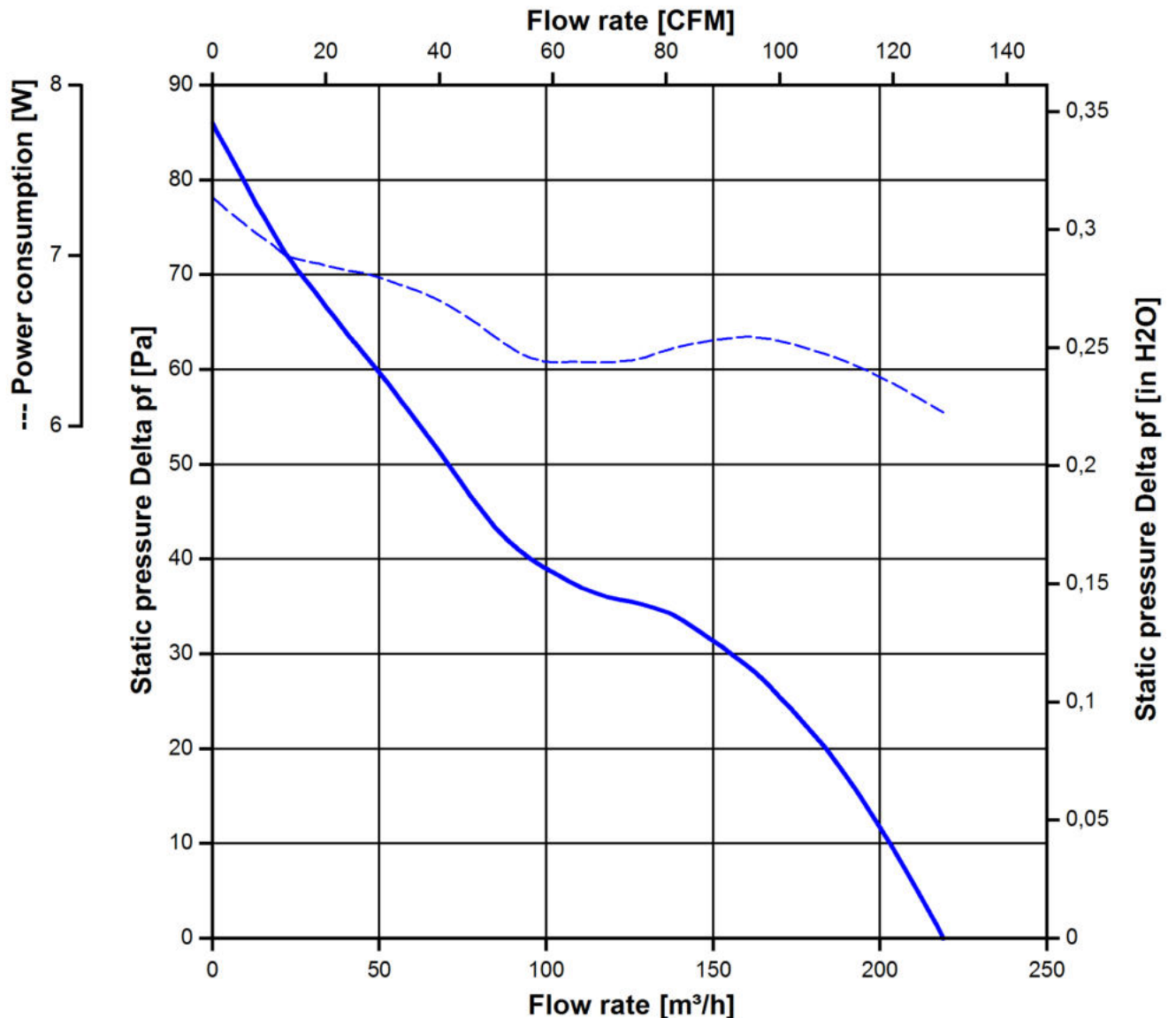
In the intake and outlet area should not be any solid obstruction within 0,5 m. Motor shaft horizontal.

The information is only valid under the specified test conditions and may be changed by the installation conditions. If there are deviations from the standard test conditions, the characteristic values must be checked under the installed conditions. Power consumption of the fan motor when operating at normal voltage is shown. Depending on the operating conditions of the application, the power input may be higher.

a.) Operation condition:

3.150 1/min at free air flow

| | | |
|---|-----------------------|--|
| Max. free-air flow ($\Delta p = 0 / \dot{V} = \text{max.}$) | 220 m ³ /h | |
| Max. static pressure ($\Delta p = \text{max.} / \dot{V} = 0$) | 85 Pa | |



3.4 Sound Data

Measurement conditions: Sound pressure level: 1 meter distance between microphone and the air intake.
 Sound power level: Acc. to DIN 45635 part 38 (ISO 10302)
 Measured in a semianchoic chamber with a background noise level of $L_p(A) < 5 \text{ dB(A)}$
 For further measurement conditions see chapter aerodynamics.

a.) Operation condition:

| | | |
|---|-------------------------------|--|
| 3.150 1/min at free air flow | | |
| Optimal operating point | 153 m ³ /h @ 31 Pa | |
| Sound power level at the optimal operating point | 5,8 bel(A) | |
| Sound pressure level at free air flow, measured in rubber bands | 47 dB(A) | |

4 Environment

4.1 General

| | | |
|--|--------|--|
| Min. permitted ambient temperature TU min. | -20 °C | |
| Max. permitted ambient temperature TU max. | 75 °C | |
| Min. permitted storage temperature TL min. | -40 °C | |
| Max. permitted storage temperature TL max. | 80 °C | |

4.2 Climatic Requirements

| | | |
|-----------------------|---|--|
| Humidity requirements | humid heat, constant; according to DIN EN 60068-2-78, 14 days | |
| Water exposure | None | |
| Dust requirements | None | |
| Salt fog requirements | None | |

Permitted application area:

The product is intended for use in sheltered rooms with controlled temperature and controlled humidity. Directly exposure to water must be avoided.

Pollution degree 1 (according DIN EN 60664-1)

There is either no pollution or it occurs only dry, non-conductive pollution. The pollution has no negative impact.

4.3 Mechanical Requirements

| | | |
|----------------|--|--|
| severity level | Vibration (sinusoidal) | |
| 0,5 G | Vibration (sinusoidal) in use IEC 60068-2-6 Displacement / frequency range Acceleration / frequency range Sweep rate Sweep cycles Duration | Vibration (sinusoidal) 0,035 mm / 10-60, 60-10 Hz 0,5 G / 60-500-60 Hz 1 Oct./min 10 2 hrs. |

| | |
|-------------------|---|
| Axes of vibration | 3 |
|-------------------|---|

| severity level | stationary use | | |
|----------------|--------------------------|--|--|
| 1 | storage / transportation | Random vibration not in use IEC 60068-2-64 Frequency range / ASD G_{RMS} Axes of vibration Test duration | Random vibration 5 - 20 Hz : $1,0 \text{ m}^2 / \text{s}^3$ 20 - 500 Hz : - 3 dB / Oct 0,91 G 3 3 x 5 h |
| | storage / transportation | Bump not in use IEC 60068-2-29 Shock spectrum Acceleration Duration Number of bumps (+X, -X, -Y, +Y, -Z, +Z) Total bumps | Bump half sine 18 G 6 ms 100 in each direction 600 |
| | stationary use | Random vibration in use IEC 60068-2-64 Frequency range / ASD G_{RMS} Axes of vibration Test duration | Random vibration 5 - 20 Hz : $2,0 \text{ m}^2 / \text{s}^3$ 20- 150 Hz : - 3 dB / Oct 0,83 G 3 3 x 5 h |
| | stationary use | Bump in use IEC 60068-2-29 Shock spectrum Acceleration Duration Number of bumps (+X, -X, -Y, +Y, -Z, +Z) Total bumps | Bump half sine 5 G 11 ms 100 in each direction 600 |

5 Safety

5.1 Electrical Safety

| | | |
|--|------------------|--|
| Dielectric strength DIN EN 60950 (VDE 0805) and DIN EN 60335 (VDE 0700) A.) Type test Measuring conditions: After 48h of storage at 95% R.H. and 25°C. No arcing or breakdown is allowed! All connections together to ground. | 500 VAC / 1 Min. | |
| B.) Routine test Measuring conditions: At indoor climate. No arcing or breakdown is allowed! All connections together to ground. | Not applicable | |
| Isolation resistance Measuring conditions: After 48h of storage at 95% R.H. and 25°C measured with U=500 VDC for 1 min. | RI > 10 MOhm | |
| Clearance / creepage distance | 1,0 mm / 1,2 mm | |
| Protection class | III | |

5.2 Approval Tests

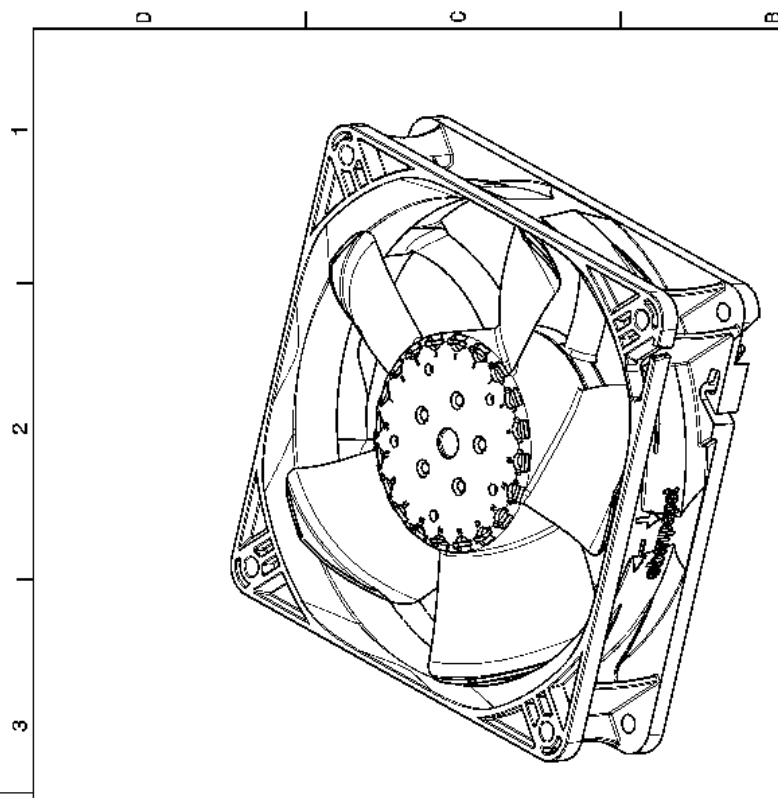
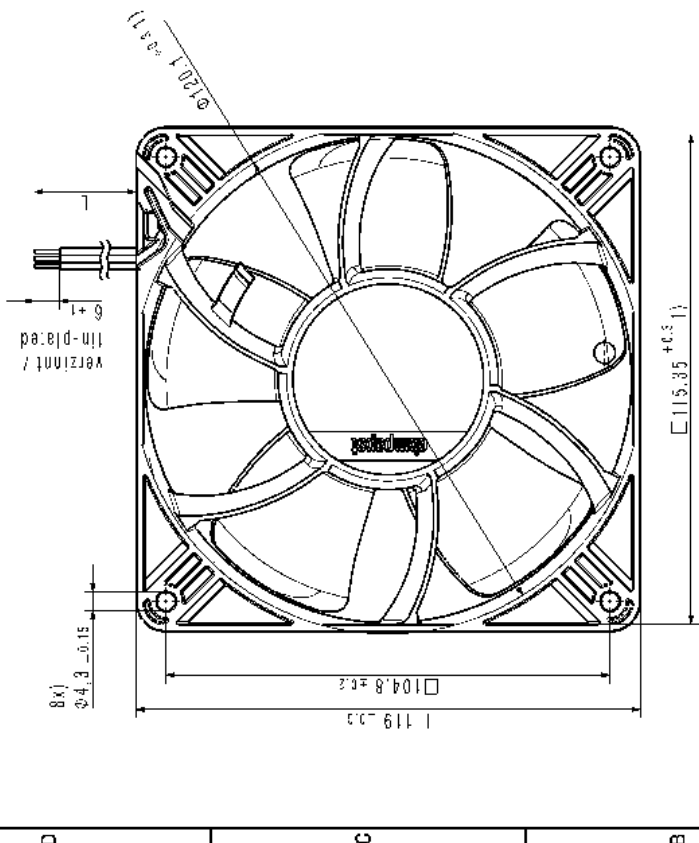
| | | |
|-----|---|---|
| CE | EC Declaration of Conformity | Yes |
| EAC | Eurasian Conformity | Yes |
| UL | Underwriters Laboratories | Yes / UL507, Electric Fans |
| VDE | Association for Electrical, Electronic and Information Technologies | Yes / Approval acc. to EN 60950 (VDE 0805) - Information technology equipment |
| CSA | Canadian Standards Association | Yes / C22.2 No. 113 Fans and Ventilators |
| CCC | China Compulsory Certification | Not applicable |

6 Reliability

6.1 General

| | | |
|--|-----------|--|
| Life expectancy L10 at TU = 40 °C | 62.500 h | |
| Life expectancy L10 at TU max. | 25.000 h | |
| Life expectancy L10 acc. to IPC 9591 at TU = 40 °C | 105.000 h | |

Spiegeln ist nicht zulässig, und führt zu einer Verzerrung der Abbildung. Die Abbildung ist nur für den Vergleich der Abbildung mit der Abbildung zu verwenden. Die Abbildung ist nicht für die Fertigung zu verwenden. Die Abbildung ist nicht für die Fertigung zu verwenden.



- 1) Maße für Montagewand / Dimensions for assembly wall
- Kein Axialspiel der Kugellager durch Federung eich / No axial clearance of ball bearings due to pre-load spring
- Anzahl und Länge der Litzen siehe Produktspezifikation Blatt 1 / Number and length of the wires see design specification on sheet 1

| | | | | | | | |
|--|--|--|--|--|--|--|--|
| 3D Modellschicht 3D Model Layer 3D Modellschicht 3D Model Layer | | 3D Modellschicht 3D Model Layer 3D Modellschicht 3D Model Layer | | 3D Modellschicht 3D Model Layer 3D Modellschicht 3D Model Layer | | 3D Modellschicht 3D Model Layer 3D Modellschicht 3D Model Layer | |
| 3D Modellschicht 3D Model Layer 3D Modellschicht 3D Model Layer | | 3D Modellschicht 3D Model Layer 3D Modellschicht 3D Model Layer | | 3D Modellschicht 3D Model Layer 3D Modellschicht 3D Model Layer | | 3D Modellschicht 3D Model Layer 3D Modellschicht 3D Model Layer | |
| 3D Modellschicht 3D Model Layer 3D Modellschicht 3D Model Layer | | 3D Modellschicht 3D Model Layer 3D Modellschicht 3D Model Layer | | 3D Modellschicht 3D Model Layer 3D Modellschicht 3D Model Layer | | 3D Modellschicht 3D Model Layer 3D Modellschicht 3D Model Layer | |
| 3D Modellschicht 3D Model Layer 3D Modellschicht 3D Model Layer | | 3D Modellschicht 3D Model Layer 3D Modellschicht 3D Model Layer | | 3D Modellschicht 3D Model Layer 3D Modellschicht 3D Model Layer | | 3D Modellschicht 3D Model Layer 3D Modellschicht 3D Model Layer | |

