

**ebm-papst St. Georgen GmbH & Co. KG**

Hermann-Papst-Str. 1
 D-78112 St. Georgen
 Phone +49 (0) 7724 81-0
 Fax +49 (0) 7724 81-1309
 sales@fansco.com
 www.fansco.com

Nominal data

Type	422JM	
Phase		1~
Nominal voltage	VDC	12
Nominal voltage range	VDC	8 .. 13,8
Speed (rpm)	min ⁻¹	11400
Power consumption	W	2.4
Min. ambient temperature	°C	-20
Max. ambient temperature	°C	70
Air flow	m ³ /h	24
Sound power level	B	5.5
Sound pressure level	dB(A)	42

ml = Max. load · me = Max. efficiency · fa = Free air · cs = Customer specification · ce = Customer equipment
 Subject to change

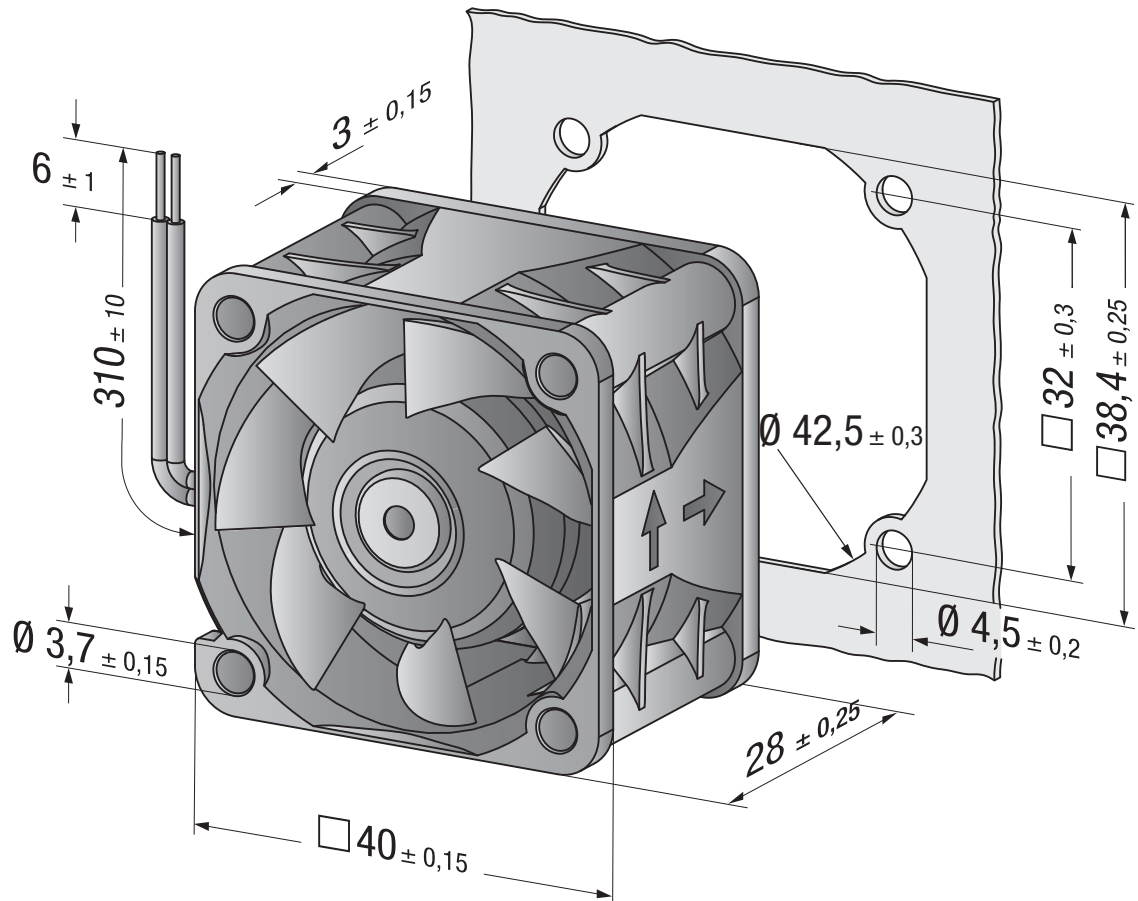


Technical description

General description	Very pressure-insensitive characteristic curve for high air flow at high back pressure. Low operating noise at high back pressure. Standard version with PWM control input and speed signal. Other inputs and outputs on request.
Weight	0.045 kg
Dimensions	40 x 40 x 28 mm
Impeller material	Glass-fiber reinforced PA plastic
Housing material	Glass-fiber reinforced PBT plastic
Part no.	422JM
Airflow direction	Exhaust over struts
Direction of rotation	Counterclockwise, viewed toward rotor
Storage	Ball bearing
Service life L10 at 20 °C	75.000 h
Service life L10 at 60 °C	37.500 h
Cable	With leads AWG 28, UL 1061
Approval	VDE, CSA, UL
Option	Possible custom designs: Speed signal Go / No-go alarm External temperature sensor PWM control input Moisture protection Salt spray protection



Product drawing



Curves

