

**ebm-papst St. Georgen GmbH & Co. KG**

Hermann-Papst-Str. 1

D-78112 St. Georgen

Phone +49 (0) 7724 81-0

Fax +49 (0) 7724 81-1309

sales@fansco.com

www.fansco.com

Nominal data

Type	4184 NXM	
Nominal voltage	VDC	24
Nominal voltage range	VDC	12 .. 31,5
Speed (rpm)	min ⁻¹	2800
Power consumption	W	3.2
Min. ambient temperature	°C	-30
Max. ambient temperature	°C	75
Air flow	m ³ /h	160
Sound power level	B	5.3
Sound pressure level	dB(A)	44

ml = Max. load · me = Max. efficiency · fa = Free air · cs = Customer specification · ce = Customer equipment
Subject to change

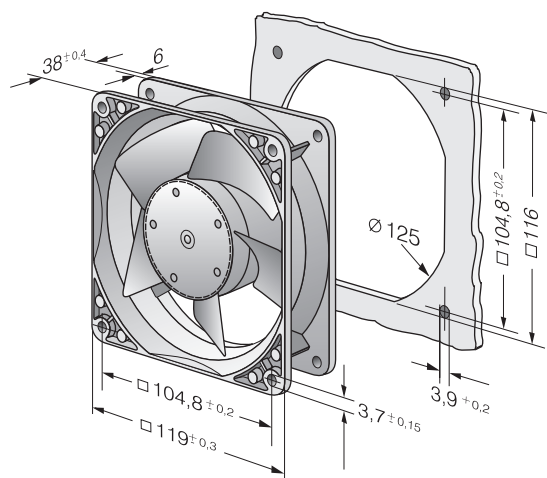


Technical description

General description	Housing with grounding lug for M4 x 8 screw (Torx)
Impeller material	Glass-fiber reinforced PA plastic
Weight	0.390 kg
Dimensions	119 x 119 x 38 mm
Housing material	Die-cast aluminum
Airflow direction	Intake over struts
Direction of rotation	Clockwise, viewed toward rotor
Storage	Ball bearing
Service life L10 at 40 °C	85000 h
Service life L10 at maximum temperature	37500 h
Cable	Flat plug 2.8 x 0.5 mm. Optionally also with wires.
Motor protection	Protection against reverse polarity and blocked rotor.
Approval	VDE, CSA, UL, CE



Product drawing



Curves: Air performance

