

**ebm-papst St. Georgen GmbH & Co. KG**

Hermann-Papst-Str. 1

D-78112 St. Georgen

Phone +49 (0) 7724 81-0

Fax +49 (0) 7724 81-1309

sales@fansco.com

www.fansco.com

**Nominal data**

| Type                     | 414 J             |          |
|--------------------------|-------------------|----------|
| Nominal voltage          | VDC               | 24       |
| Nominal voltage range    | VDC               | 18 .. 27 |
| Speed (rpm)              | min <sup>-1</sup> | 10300    |
| Power consumption        | W                 | 2.4      |
| Min. ambient temperature | °C                | -20      |
| Max. ambient temperature | °C                | 70       |
| Air flow                 | m <sup>3</sup> /h | 19       |
| Sound power level        | B                 | 5.5      |
| Sound pressure level     | dB(A)             | 39       |

ml = Max. load · me = Max. efficiency · fa = Free air · cs = Customer specification · ce = Customer equipment  
 Subject to change

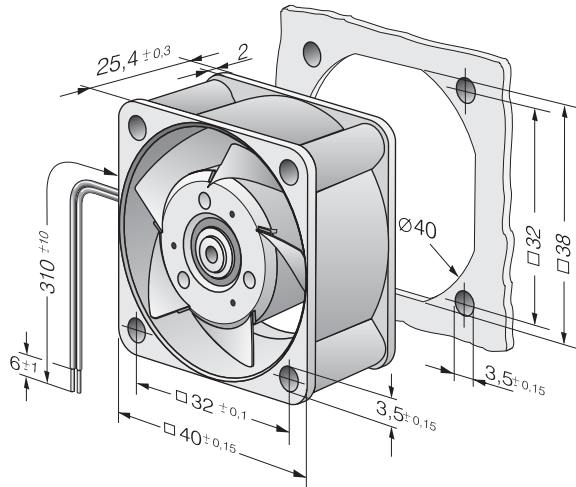


**Technical description**

|  |  |
|--|--|
| <b>Weight</b>                                  | 0.050 kg   |
| <b>Dimensions</b>                              | 40 x 40 x 25 mm  |
| <b>Impeller material</b>                       | Glass-fiber reinforced PA plastic                      |
| <b>Housing material</b>                        | Glass-fiber reinforced PBT plastic                     |
| <b>Airflow direction</b>                       | Exhaust over struts                                    |
| <b>Direction of rotation</b>                   | Counterclockwise, viewed toward rotor                  |
| <b>Storage</b>                                 | Ball bearing   |
| <b>Service life L10 at 40 °C</b>               | 60000 h  |
| <b>Service life L10 at maximum temperature</b> | 30000 h  |
| <b>Cable</b>                                   | Leads AWG 26, TR 64, stripped and tin-plated.          |
| <b>Motor protection</b>                        | Protection against reverse polarity and blocked rotor. |
| <b>Approval</b>                                | VDE, CSA, UL   |



## Product drawing



## Curves: Air performance

