

**ebm-papst St. Georgen GmbH & Co. KG**

Hermann-Papst-Str. 1  
 D-78112 St. Georgen  
 Phone +49 (0) 7724 81-0  
 Fax +49 (0) 7724 81-1309  
 sales@fansco.com  
 www.fansco.com

**Nominal data**

Type	412	
Nominal voltage	VDC	12
Nominal voltage range	VDC	10 .. 14
Speed (rpm)	min <sup>-1</sup>	6000
Power consumption	W	0.8
Min. ambient temperature	°C	-20
Max. ambient temperature	°C	70
Air flow	m <sup>3</sup> /h	10
Sound power level	B	3.8
Sound pressure level	dB(A)	18

ml = Max. load · me = Max. efficiency · fa = Free air · cs = Customer specification · ce = Customer equipment  
 Subject to change

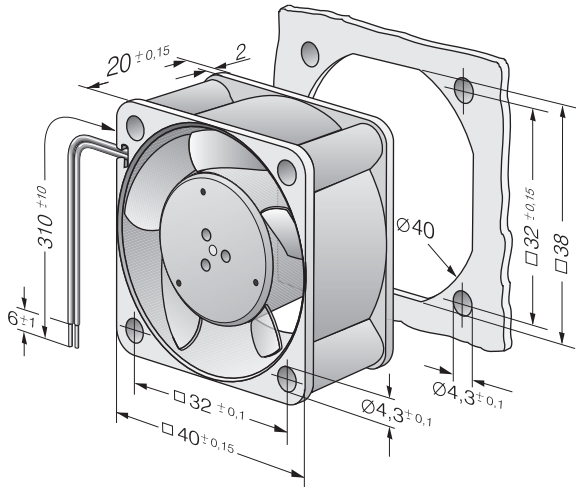


### Technical description

<b>Weight</b>	0.027 kg
<b>Dimensions</b>	40 x 40 x 20 mm
<b>Impeller material</b>	Glass-fiber reinforced PA plastic
<b>Housing material</b>	Glass-fiber reinforced PBT plastic
<b>Airflow direction</b>	Exhaust over struts
<b>Direction of rotation</b>	Counterclockwise, viewed toward rotor
<b>Storage</b>	Sintec sleeve bearing
<b>Service life L10 at 20 °C</b>	50000 h
<b>Service life L10 at 60 °C</b>	20000 h
<b>Cable</b>	Leads AWG 28, TR 64, stripped and tin-plated.
<b>Motor protection</b>	Protection against reverse polarity and blocked rotor.
<b>Approval</b>	VDE, CSA, UL
<b>Option</b>	Possible custom designs: Speed signal Go / No-go alarm PWM control input Moisture protection



## Product drawing



## Curves: Air performance

