

**ebm-papst St. Georgen GmbH & Co. KG**

Hermann-Papst-Str. 1

D-78112 St. Georgen

Phone +49 (0) 7724 81-0

Fax +49 (0) 7724 81-1309

sales@fansco.com

www.fansco.com

**Nominal data**

| Type                     | 4118 N/2H8P       |          |
|--------------------------|-------------------|----------|
| Nominal voltage          | VDC               | 48       |
| Nominal voltage range    | VDC               | 36 .. 60 |
| Speed (rpm)              | min <sup>-1</sup> | 11000    |
| Power consumption        | W                 | 120      |
| Min. ambient temperature | °C                | -20      |
| Max. ambient temperature | °C                | 75       |
| Air flow                 | m <sup>3</sup> /h | 570      |
| Sound power level        | B                 | 8.9      |
| Sound pressure level     | dB(A)             | 78       |

ml = Max. load · me = Max. efficiency · fa = Free air · cs = Customer specification · ce = Customer equipment  
Subject to change

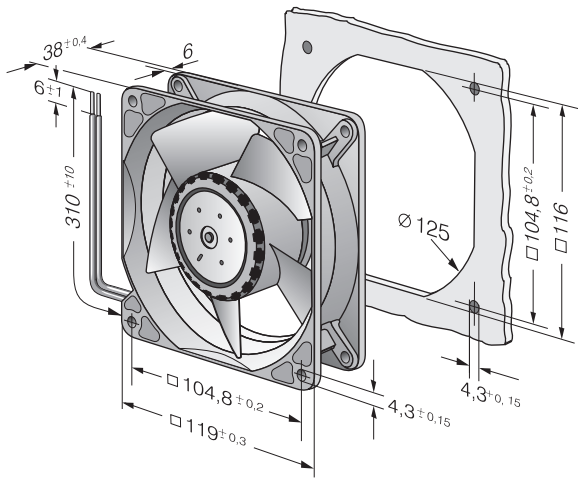


**Technical description**

|  |   |
|--|---|
| <b>General description</b>                     | Power consumption when wide open; these values may be considerably higher at the operating point. |
| <b>Impeller material</b>                       | Glass-fiber reinforced PA plastic   |
| <b>Weight</b>                                  | 0.425 kg  |
| <b>Dimensions</b>                              | 119 x 119 x 38 mm   |
| <b>Housing material</b>                        | Die-cast aluminum   |
| <b>Airflow direction</b>                       | Intake over struts  |
| <b>Direction of rotation</b>                   | Clockwise, viewed toward rotor  |
| <b>Storage</b>                                 | Ball bearing  |
| <b>Service life L10 at 40 °C</b>               | 55000 h   |
| <b>Service life L10 at maximum temperature</b> | 22500 h   |
| <b>Cable</b>                                   | Leads AWG 20, sensor and control leads AWG 22, UL 1007, TR 64, stripped and tin-plated.           |
| <b>Motor protection</b>                        | Protection against reverse polarity and blocked rotor.  |
| <b>Option</b>                                  | Other inputs and outputs. 36-72 VDC possible.   |



## Product drawing



Curves: Air performance

