

Product Data Sheet 4118 N/2H6P-269

ebmpapst

The engineer's choice



4118 N/2H6P-269

INDEX

| | | |
|----------|-------------------------------------|-----------|
| 1 | General | 3 |
| 2 | Mechanics | 3 |
| 2.1 | General | 3 |
| 2.2 | Connections | 3 |
| 3 | Operating Data | 4 |
| 3.1 | Electrical Interface - Input | 4 |
| 3.2 | Electrical Operating Data | 5 |
| 3.3 | Electrical Interface - Output | 6 |
| 3.4 | Electrical Features | 6 |
| 3.5 | Aerodynamics | 8 |
| 3.6 | Sound Data | 9 |
| 4 | Environment | 9 |
| 4.1 | General | 9 |
| 4.2 | Climatic Requirements | 9 |
| 5 | Safety | 10 |
| 5.1 | Electrical Safety | 10 |
| 5.2 | Approval Tests | 10 |
| 6 | Reliability | 10 |
| 6.1 | General | 10 |

1 General

| | | |
|-------------------------------------|------------------------|--|
| Fan type | Fan | |
| Rotating direction looking at rotor | Clockwise | |
| Airflow direction | Air intake over struts | |
| Bearing system | Ball bearing | |
| Mounting position - shaft | Any | |

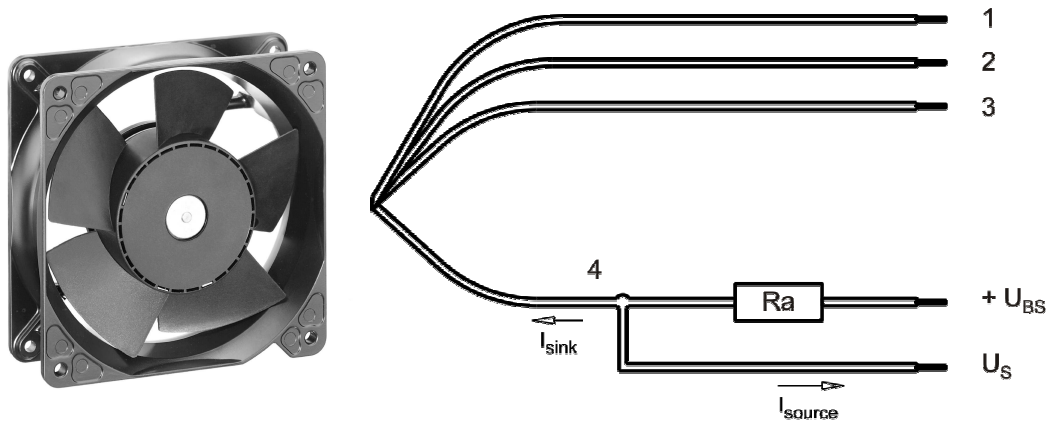
2 Mechanics

2.1 General

| | | |
|---|---|--|
| Width | 119,0 mm | |
| Height | 119,0 mm | |
| Depth | 38,0 mm | |
| Mass | 0,390 kg | |
| Housing material | Metal | |
| Impeller material | Plastic | |
| Max. torque when mounted across both mounting flanges | Wire outlet corner: 420 Ncm Remaining corners: 600 Ncm | |
| Screw size | ISO 4762 - M4 degreased, without an additional brace and without washer | |

2.2 Connections

| | | |
|-----------------------|-------------|--|
| Electrical connection | Wires | |
| Lead wire length | L = 310 mm | |
| Tolerance | + - 10,0 mm | |



| Wire | Color | Operation | Wire size | Insulation diameter |
|------|--------|-----------|-----------|---------------------|
| 1 | red | + UB | AWG 22 | 1,7 mm |
| 2 | blue | - GND | AWG 22 | 1,7 mm |
| 3 | violet | PWM | AWG 22 | 1,7 mm |
| 4 | white | Tacho | AWG 22 | 1,7 mm |

The auxiliaries shown on the schematic diagram (which are required for the intended use) are not part of our delivery.

3 Operating Data

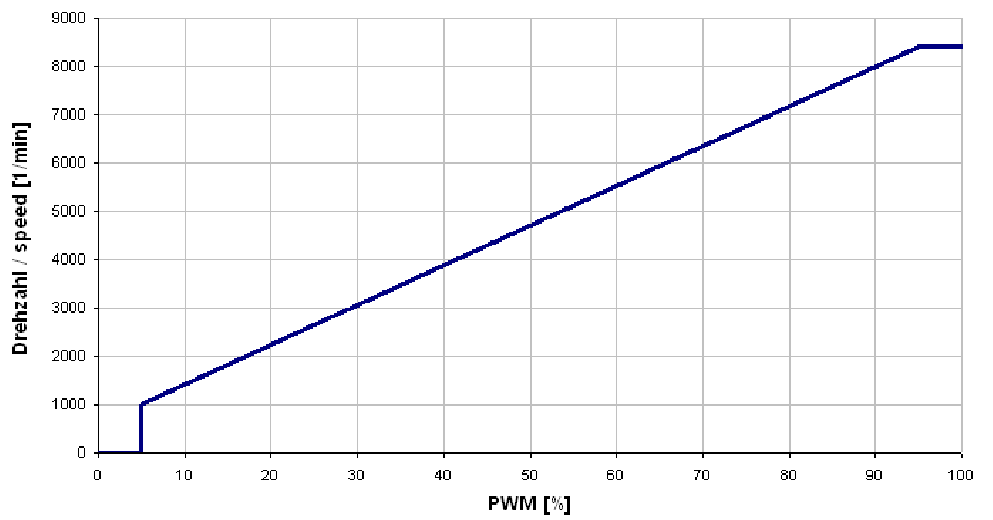
3.1 Electrical Interface - Input

| | |
|---------------|-----|
| Control input | PWM |
|---------------|-----|

Features

| | |
|-----------------|----------------|
| PWM - Frequency | 1 kHz - 10 kHz |
|-----------------|----------------|

Characteristics



Lüfter / Fan

Kunde / Customer

Schematics

Isink max. >5mA
 VCEsat <0,15V

3.2 Electrical Operating Data

Measurement conditions: Normal air density = 1,2 kg/m³; Temperature 23°C +/- 3°C; Motor axis horizontal; warm-up time before measuring 5 minutes (unless otherwise specified). In the intake and outlet area should not be any solid obstruction within 0,5 m.

Δp = 0: corresp. to free air flow (see chapter aerodynamics)

I: corresp. to arithm. mean current value

| Name | Condition | | |
|----------|-------------|----------|----------|
| PWM 0001 | PWM: 100 %; | f: 1 kHz | f: 7 kHz |

Note:

No inrush current at Unom means:

The internal electrolytic capacitor 39uF/100V has no resistor or inrush current limitation, essentially the power supply and the type and length of the connecting cable is limiting the Inrush current.

| Features | Condition | Symbol | Values | | |
|------------------------------|-----------|----------------|-------------|-------------|-------------|
| Voltage range | | U | 36 V | | 60 V |
| Nominal voltage | | U _N | | 48 V | |
| Power consumption | Δp = 0 | P | 34,5 W | 58 W | 59,0 W |
| Tolerance | PWM 0010 | | +/- 15 % | +/- 10 % | +/- 10 % |
| Current consumption | Δp = 0 | I | 950 mA | 1.200 mA | 1.000 mA |
| Tolerance | PWM 0010 | | +/- 15 % | +/- 10 % | +/- 10 % |
| Speed | Δp = 0 | n | 7.000 1/min | 8.400 1/min | 8.400 1/min |
| Tolerance | PWM 0010 | | +/- 10 % | +/- 10 % | +/- 10 % |
| Starting current consumption | | | | 2.200 mA | |

3.3 Electrical Interface - Output

| | |
|------------|---------------------|
| Tacho type | /2 (open collector) |
|------------|---------------------|

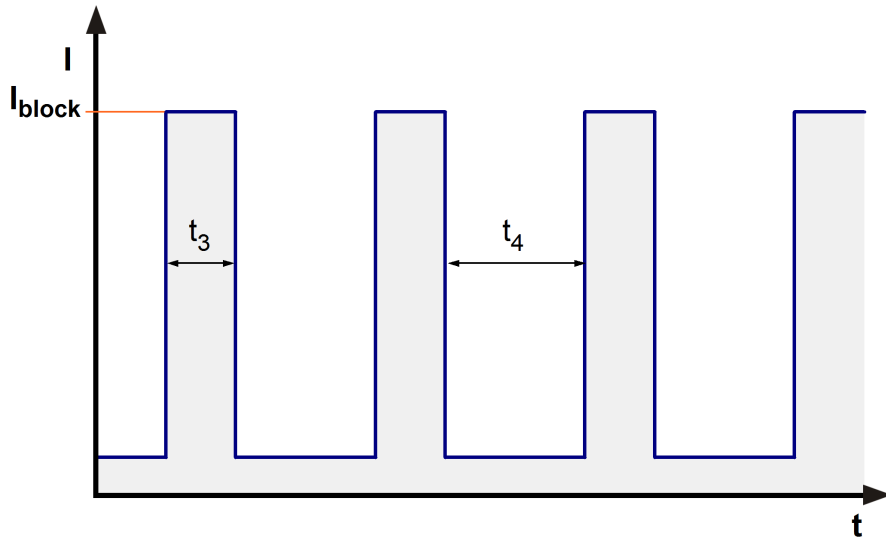


| Features | Note | Values |
|---------------------------|--|-------------------------------|
| Tacho operating voltage | U_{BS} | $\leq 60\text{ V}$ |
| Tacho signal Low | $U_{S\ low}$ | $\leq 0,4\text{ V}$ |
| Tacho signal High | $U_{S\ high}$ | 60 V |
| Maximum sink current | I_{sink} | $\leq 20\text{ mA}$ |
| External resistor | External resistor R_a from U_{BS} to U_S required. All voltages measured to GND. | |
| Tacho frequency | $(2 \times n) / 60$ | |
| Tacho isolated from motor | No | |
| Slew rate | | $\Rightarrow 0,5\text{ V/us}$ |

n = revolutions per minute (1/min)

3.4 Electrical Features

| | | |
|--------------------------------|--|--|
| Electronic function | Speed-Controlled | |
| Reversed polarity protection | Rectifying diode | |
| Max. residual current at U_N | $I_F \leq 10\text{ mA}$ | |
| Locked rotor protection | Auto restart | |
| Locked rotor current at U_N | I_{block} approx. 1.800 mA | |
| Clock signal at locked rotor | t_3 / t_4 typical: $0,5\text{ s} / 5,0\text{ s}$ | |

**Internal Fuse:**

Littlefuse NANO2(R) FUSE; Very fast acting 451 Series; 4 A (Art.-Nr.: 451004)

3.5 Aerodynamics

Measurement conditions:

Measured with a double chamber intake rig acc. to DIN EN ISO 5801.

Normal air density = 1,2 kg/m³; Temperature 23°C +/- 3°C;

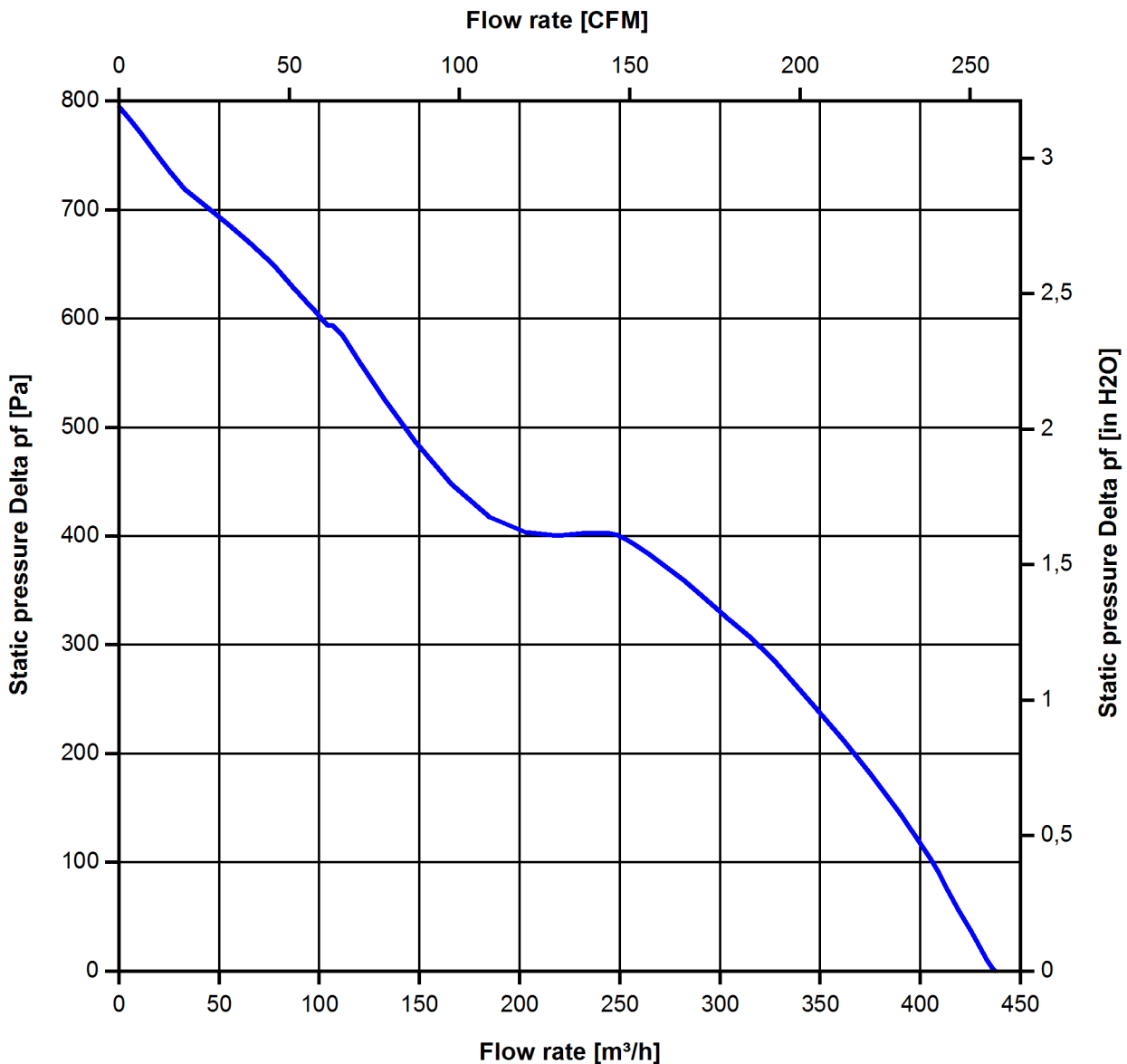
In the intake and outlet area should not be any solid obstruction within 0,5 m. Motor shaft horizontal.

The information is only valid under the specified test conditions and may be changed by the installation conditions. If there are deviations from the standard test conditions, the characteristic values must be checked under the installed conditions.

a.) Operation condition:

| | | | |
|------------------------------|------------|----------|----------|
| 8.400 1/min at free air flow | PWM 100 %; | f: 1 kHz | f: 7 kHz |
|------------------------------|------------|----------|----------|

| | |
|---|-------------------------|
| Max. free-air flow ($\Delta p = 0 / \dot{V} = \text{max.}$) | 440,0 m ³ /h |
| Max. static pressure ($\Delta p = \text{max.} / \dot{V} = 0$) | 795 Pa |



3.6 Sound Data

Measurement conditions: Sound pressure level: 1 meter distance between microphone and the air intake.
 Sound power level: Acc. to DIN 45635 part 38 (ISO 10302)
 Measured in a semianchoic chamber with a background noise level of $L_p(A) < 5 \text{ dB(A)}$
 For further measurement conditions see chapter aerodynamics.

a.) Operation condition:

| | | | |
|---|----------------------------------|----------|----------|
| 8.400 1/min at free air flow | PWM 100 %; | f: 1 kHz | f: 7 kHz |
| Optimal operating point | 335,0 m ³ /h @ 242 Pa | | |
| Sound power level at the optimal operating point | 8,1 bel(A) | | |
| Sound pressure level at free air flow, measured in rubber bands | 73,0 dB(A) | | |

4 Environment

4.1 General

| | | |
|--|--------|--|
| Min. permitted ambient temperature TU min. | -20 °C | |
| Max. permitted ambient temperature TU max. | 65 °C | |
| Min. permitted storage temperature TL min. | -40 °C | |
| Max. permitted storage temperature TL max. | 80 °C | |

4.2 Climatic Requirements

| | | |
|-----------------------|---|--|
| Humidity requirements | humid heat, constant; according to DIN EN 60068-2-78, 14 days | |
| Water exposure | None | |
| Dust requirements | None | |
| Salt fog requirements | None | |

Permitted application area:

The product is intended for use in sheltered rooms with controlled temperature and controlled humidity. Directly exposure to water must be avoided.

Pollution degree 1 (according DIN EN 60664-1)

There is either no pollution or it occurs only dry, non-conductive pollution. The pollution has no negative impact.

Please require severity levels and specification parameters from the responsible development departments.

5 Safety

5.1 Electrical Safety

| | | |
|--|------------------|--|
| Dielectric strength DIN EN 60950 (VDE 0805) and DIN EN 60335 (VDE 0700) A.) Type test Measuring conditions: After 48h of storage at 95% R.H. and 25°C. No arcing or breakdown is allowed! All connections together to ground. | 500 VAC / 1 Min. | |
| B.) Routine test Measuring conditions: At indoor climate. No arcing or breakdown is allowed! All connections together to ground. | 850 VDC / 1 Sec. | |
| Isolation resistance Measuring conditions: After 48h of storage at 95% R.H. and 25°C measured with U=500 VDC for 1 min. | RI > 10 MOhm | |
| Clearance / creepage distance | 1,0 mm / 1,5 mm | |
| Protection class | III | |

5.2 Approval Tests

| | | |
|-----|---|---|
| CE | EC Declaration of Conformity | Yes |
| EAC | Eurasian Conformity | Yes |
| UL | Underwriters Laboratories | Yes / UL507, Electric Fans |
| VDE | Association for Electrical, Electronic and Information Technologies | Yes / Approval acc. to EN 60950 (VDE 0805) - Information technology equipment |
| CSA | Canadian Standards Association | Yes / C22.2 No. 113 Fans and Ventilators |
| CCC | China Compulsory Certification | Yes / GB 12350 Safety Requirements for small Power Motors |

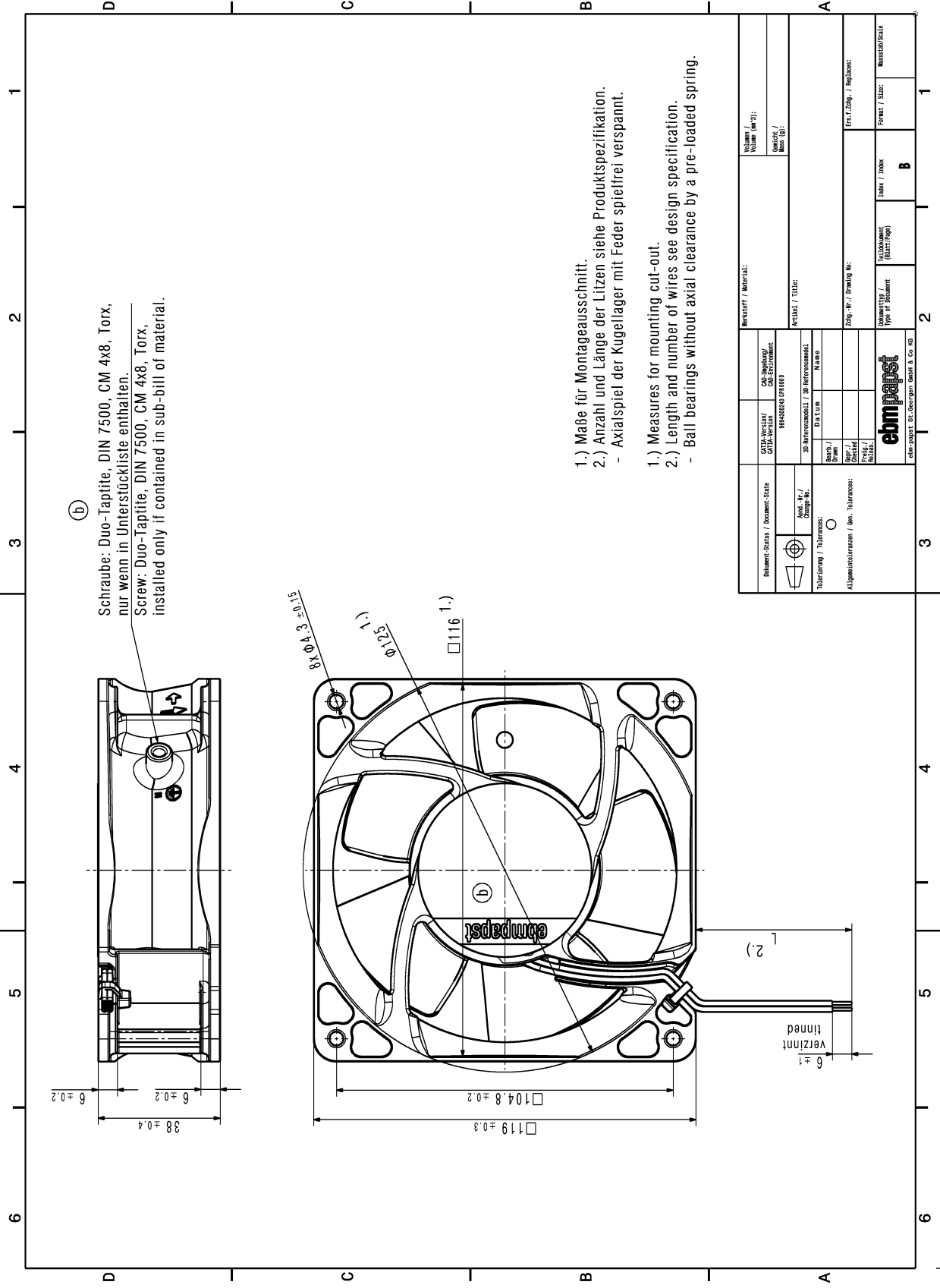
The approval tests are observed to:

U approval max.:60,0 V @ TU approval max.: 65,0 °C

6 Reliability

6.1 General

| | | |
|--|------------|--|
| Life expectancy L10 at TU = 40 °C | 60.000 h | |
| Life expectancy L10 at TU max. | 32.500 h | |
| Life expectancy L10 acc. to IPC 9591 at TU = 40 °C | 102. 500 h | |



(b) Schraube: Duo-Taprite, DIN 7500, CM 4x8, Torx, nur wenn in Unterstückliste enthalten.
 Screw: Duo-Taprite, DIN 7500, CM 4x8, Torx, installed only if contained in sub-bill of material.

- 1.) Maße für Montageausschnitt.
- 2.) Anzahl und Länge der Litzen siehe Produktspezifikation.
 - Axialspiel der Kugellager mit Feder spielfrei verspannt.
- 1.) Measures for mounting cut-out.
- 2.) Length and number of wires see design specification.
 - Ball bearings without axial clearance by a pre-loaded spring.

Copying of this document, and giving it others and the use or communication of the contents thereof, are forbidden without express written consent. Orders are liable to the payment of damages. All rights are reserved in the event of the grant of a patent or the registration of a utility model or design.

SPINTECHNIK nach DIN ISO 15010/15016/15018/1
 Refer to production notes DIN ISO 15010/15016/15018/1

| | | | | |
|---|---|---|---|--|
| Document Status / Document-Status | CDTA-Version / CDTA-Version | CD-Material / CD-Material | Revisiert / Material: | Volumen / Volume (in 3): |
| <input type="checkbox"/> Approved / Genehmigt <input type="checkbox"/> In Progress / In Bearbeitung <input type="checkbox"/> On Hold / Aufgehalten <input type="checkbox"/> Cancelled / Abgelehnt <input type="checkbox"/> Deleted / Löscht | SP-Referenzmodell / SP-Referenzmodell | SP-Referenzmodell / SP-Referenzmodell | APPROVAL / TEILE: | Genischt / Mess (0): |
| Änder.-Nr. / Change-No. 0 Allgemeintoleranzen / Gen. Tolerances: | Datum Name Unterschrift / Signature Datum / Date Name / Name Unterschrift / Signature Datum / Date Name / Name | 89440024 SP1000 Datum Name Unterschrift / Signature Datum / Date Name / Name | Zeich.-Nr. / Drawing No. ERS / Zeich. / Revision: Dokumenttyp / Type of Document Index / Index Formate / Sizes: B Maßstab/Scale | Formate / Sizes: B Maßstab/Scale |
| ebmpapst | | | | |
| © ebmpapst, Dr. Georgiy Lohm & Co. AG | | | | |