

Product Data Sheet 3314 NNU

ebmpapst

The engineer's choice



3314 NNU**INDEX**

| | | |
|----------|---------------------------------|----------|
| 1 | General | 3 |
| 2 | Mechanics | 3 |
| 2.1 | General..... | 3 |
| 2.2 | Connections..... | 3 |
| 3 | Operating Data | 4 |
| 3.1 | Electrical Operating Data | 4 |
| 3.2 | Electrical Features | 4 |
| 3.3 | Aerodynamics..... | 5 |
| 3.4 | Sound Data..... | 7 |
| 4 | Environment | 7 |
| 4.1 | General..... | 7 |
| 4.2 | Climatic Requirements | 7 |
| 4.3 | Mechanical Requirements..... | 8 |
| 5 | Safety | 9 |
| 5.1 | Electrical Safety | 9 |
| 5.2 | Approval Tests..... | 9 |
| 6 | Reliability | 9 |
| 6.1 | General..... | 9 |

1 General

| | | |
|-------------------------------------|-------------------------|--|
| Fan type | Fan | |
| Rotating direction looking at rotor | Clockwise | |
| Airflow direction | Air outlet over struts | |
| Bearing system | Stainless steel bearing | |
| Mounting position - shaft | Any | |

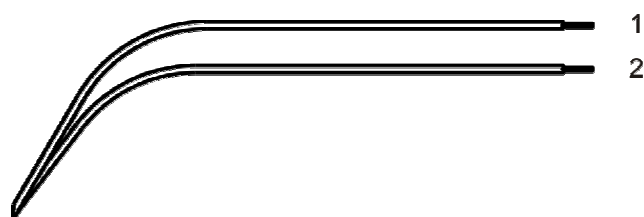
2 Mechanics

2.1 General

| | | |
|---|---|--|
| Width | 92,0 mm | |
| Height | 92,0 mm | |
| Depth | 32 mm | |
| Mass | 0,22 kg | |
| Housing material | Plastic | |
| Impeller material | Plastic | |
| Max. torque when mounted across both mounting flanges | Wire outlet corner: 80 Ncm Remaining corners: 80 Ncm | |
| Screw size | ISO 4762 - M4 degreased, without an additional brace and without washer | |

2.2 Connections

| | | |
|-----------------------|-------------|--|
| Electrical connection | Wires | |
| Lead wire length | L = 310 mm | |
| Tolerance | + - 10,0 mm | |
| Wire size (AWG) | | |
| Insulation diameter | 1,5 mm | |



| Wire | Color | Operation | Wire size | Insulation diameter |
|------|-------|-----------|-----------|---------------------|
| 1 | red | + UB | AWG 24 | |
| 2 | blue | - GND | AWG 24 | |

3 Operating Data

3.1 Electrical Operating Data

Measurement conditions: Normal air density = 1,2 kg/m³; Temperature 23°C +/- 3°C; Motor axis horizontal; warm-up time before measuring 5 minutes (unless otherwise specified). In the intake and outlet area should not be any solid obstruction within 0,5 m.

$\Delta p = 0$: corresp. to free air flow (see chapter aerodynamics)
I: corresp. to arithm. mean current value

| Features | Condition | Symbol | Values | | |
|------------------------------|----------------|--------|-------------|-------------|-------------|
| Voltage range | | U | 12 V | | 28 V |
| Nominal voltage | | U_N | | 24 V | |
| Power consumption | $\Delta p = 0$ | P | 0,4 W | 1,8 W | 2,6 W |
| Tolerance | 0010 | | +/- 17,5 % | +/- 12,5 % | +/- 15 % |
| Current consumption | $\Delta p = 0$ | I | 37 mA | 75 mA | 93 mA |
| Tolerance | 0010 | | +/- 17,5 % | +/- 12,5 % | +/- 15 % |
| Speed | $\Delta p = 0$ | n | 1.350 1/min | 2.650 1/min | 3.000 1/min |
| Tolerance | 0010 | | +/- 12,5 % | +/- 7,5 % | +/- 10 % |
| Starting current consumption | | | | 450 mA | |

3.2 Electrical Features

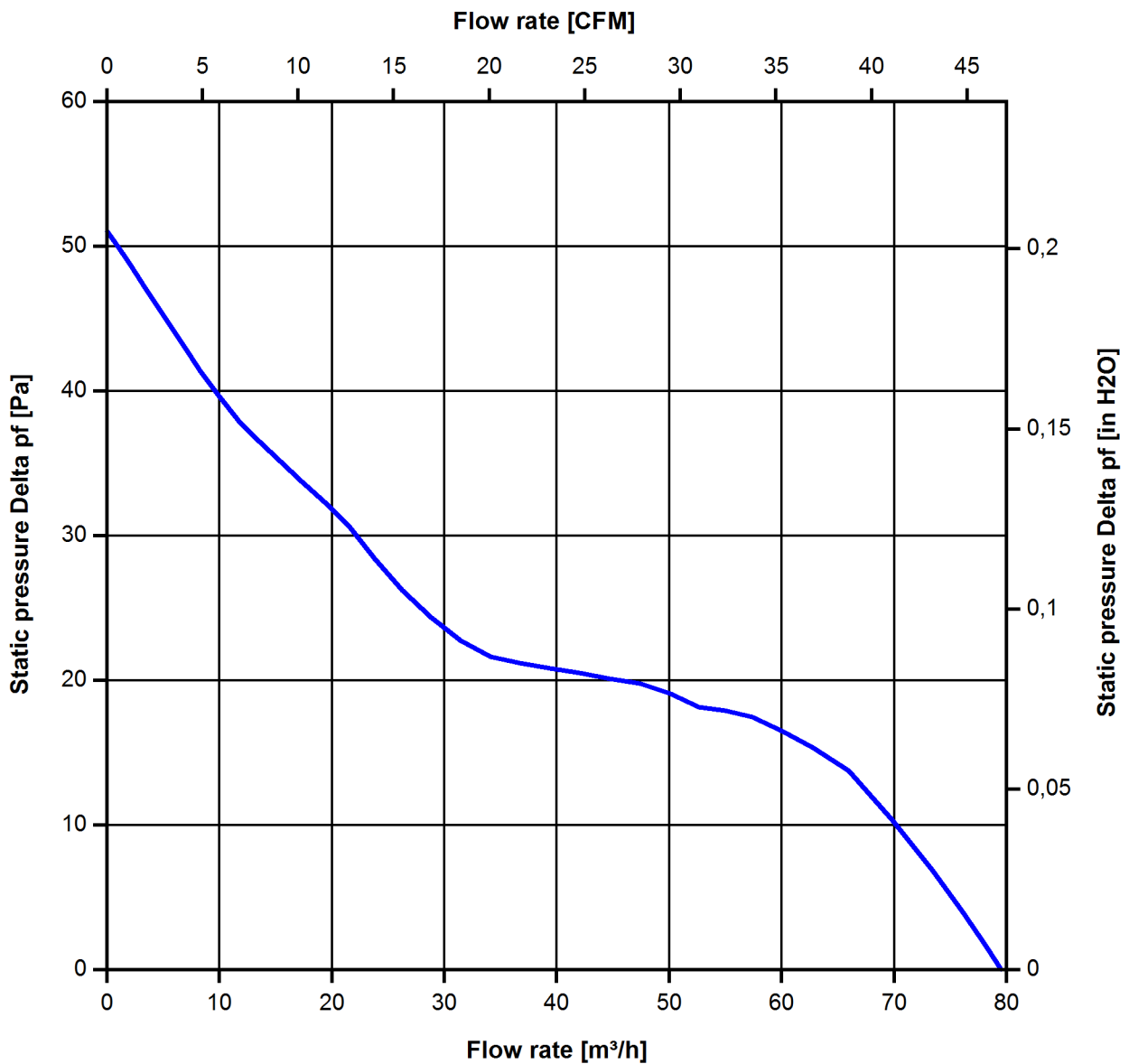
| | | |
|--------------------------------|----------------------------------|--|
| Electronic function | None | |
| Reversed polarity protection | Rectifying diode | |
| Max. residual current at U_N | $I_F < 100 \mu A$ | |
| Locked rotor protection | Auto restart | |
| Locked rotor current at U_N | I_{block} approx. 450 mA | |
| Clock signal at locked rotor | t_3 / t_4 typical: 0,5 s / 3 s | |

3.3 Aerodynamics

Measurement conditions: Measured with a double chamber intake rig acc. to DIN EN ISO 5801. Normal air density = 1,2 kg/m³; Temperature 23°C +/- 3°C; In the intake and outlet area should not be any solid obstruction within 0,5 m. Motor shaft horizontal.
The information is only valid under the specified test conditions and may be changed by the installation conditions. If there are deviations from the standard test conditions, the characteristic values must be checked under the installed conditions.

a.) Operation condition:

| | | |
|---|------------------------|--|
| 2.650 1/min at free air flow | | |
| Max. free-air flow ($\Delta p = 0 / \dot{V} = \text{max.}$) | 80,0 m ³ /h | |
| Max. static pressure ($\Delta p = \text{max.} / \dot{V} = 0$) | 50 Pa | |



3.4 Sound Data

Measurement conditions: Sound pressure level: 1 meter distance between microphone and the air intake.
 Sound power level: Acc. to DIN 45635 part 38 (ISO 10302)
 Measured in a semianchoic chamber with a background noise level of $L_p(A) < 5 \text{ dB(A)}$
 For further measurement conditions see chapter aerodynamics.

a.) Operation condition:

| | | |
|---|--------------------------------|--|
| 2.650 1/min at free air flow | | |
| Optimal operating point | 69,0 m ³ /h @ 10 Pa | |
| Sound power level at the optimal operating point | 4,7 bel(A) | |
| Sound pressure level at free air flow, measured in rubber bands | 33,0 dB(A) | |

4 Environment

4.1 General

| | | |
|--|--------|--|
| Min. permitted ambient temperature TU min. | -20 °C | |
| Max. permitted ambient temperature TU max. | 75 °C | |
| Min. permitted storage temperature TL min. | -40 °C | |
| Max. permitted storage temperature TL max. | 80 °C | |

4.2 Climatic Requirements

| | | |
|--------------------------------|---|--|
| IP-protection type (certified) | IP 68 (for fan only, not for connector if applicable) **) | |
| Humidity requirements | humid temperature, cyclic; according to DIN EN 60068-2-38, 10 cycle and condensation water check; according to DIN EN ISO 6270-2, 14 days | |
| Salt fog requirements | Salt fog, cyclic, in operation; according to DIN EN 60068-2-52; 10 cycles | |

Permitted application area:

The product is for the use in open and unsheltered areas. Direct exposure to water as well as saline ambient conditions are allowed provided that this does not prevent the normal operation.

Pollution degree 4 (according DIN EN 60664-1)

It occurs permanent conductivity caused by conductive dust, rain or moisture.

***) The specification of the IP protection refers to the conditions mentioned in certification of the fan. The above mentioned short description of the protection scope is not final. For detailed information of the respective protection scope and definitions, see certification as well as DIN EN 60529 (protection by housings) and ISO 20653 (for vehicles) with the letter K.

Short description of the IP-protection type:

Solid particle Protection: Dust tight.

Protection against deliberate contact: Protected against contact to hazardous parts with a wire.

Protection against water: The fan test according to IP68 (Based on IEC 60529), is conducted in non-operating mode. The fan is tested by a complete immersion in water for a period of 2h at a water-level of 1,2m. Electrical connections are not immersed since they are customer specific.

4.3 Mechanical Requirements

| severity level | Vibration (sinusoidal) | |
|----------------|---|---|
| 1 G | Vibration (sinusoidal) in use IEC 60068-2-6 Displacement / frequency range Acceleration / frequency range Sweep rate Sweep cycles Duration Axes of vibration | Vibration (sinusoidal) 0,075 mm / 10-58, 58-10 Hz 1 G / 58-500-58 Hz 1 Oct./min 10 2 hrs. 3 |

| severity level | stationary use | | |
|----------------|-----------------------------|--|--|
| 1 | storage / transportation | Random vibration not in use IEC 60068-2-64 Frequency range / ASD G_{RMS} Axes of vibration Test duration | Random vibration 5 - 20 Hz : $1,0 \text{ m}^2 / \text{s}^3$ 20 - 500 Hz : - 3 dB / Oct 0,91 G 3 3 x 5 h |
| | storage / transportation | Bump not in use IEC 60068-2-29 Shock spectrum Acceleration Duration Number of bumps (+X, -X, -Y, +Y, -Z, +Z) Total bumps | Bump half sine 18 G 6 ms 100 in each direction 600 |
| | stationary use | Random vibration in use IEC 60068-2-64 Frequency range / ASD G_{RMS} Axes of vibration Test duration | Random vibration 5 - 20 Hz : $2,0 \text{ m}^2 / \text{s}^3$ 20- 150 Hz : - 3 dB / Oct 0,83 G 3 3 x 5 h |
| | stationary use | Bump in use IEC 60068-2-29 Shock spectrum Acceleration Duration Number of bumps (+X, -X, -Y, +Y, -Z, +Z) Total bumps | Bump half sine 5 G 11 ms 100 in each direction 600 |

5 Safety

5.1 Electrical Safety

| | | |
|--|------------------|--|
| Dielectric strength DIN EN 60950 (VDE 0805) and DIN EN 60335 (VDE 0700) A.) Type test Measuring conditions: After 48h of storage at 95% R.H. and 25°C. No arcing or breakdown is allowed! All connections together to ground. | 500 VAC / 1 Min. | |
| B.) Routine test Measuring conditions: At indoor climate. No arcing or breakdown is allowed! All connections together to ground. | Not applicable | |
| Isolation resistance Measuring conditions: After 48h of storage at 95% R.H. and 25°C measured with U=500 VDC for 1 min. | RI > 10 MOhm | |
| Clearance / creepage distance | 1,0 mm / 1,2 mm | |
| Protection class | III | |

5.2 Approval Tests

| | | |
|-----|---|---|
| CE | EC Declaration of Conformity | Yes |
| EAC | Eurasian Conformity | Yes |
| UL | Underwriters Laboratories | Yes / UL507, Electric Fans |
| VDE | Association for Electrical, Electronic and Information Technologies | Yes / Approval acc. to EN 60950 (VDE 0805) - Information technology equipment |
| CSA | Canadian Standards Association | Yes / C22.2 No. 113 Fans and Ventilators |
| CCC | China Compulsory Certification | Not applicable |

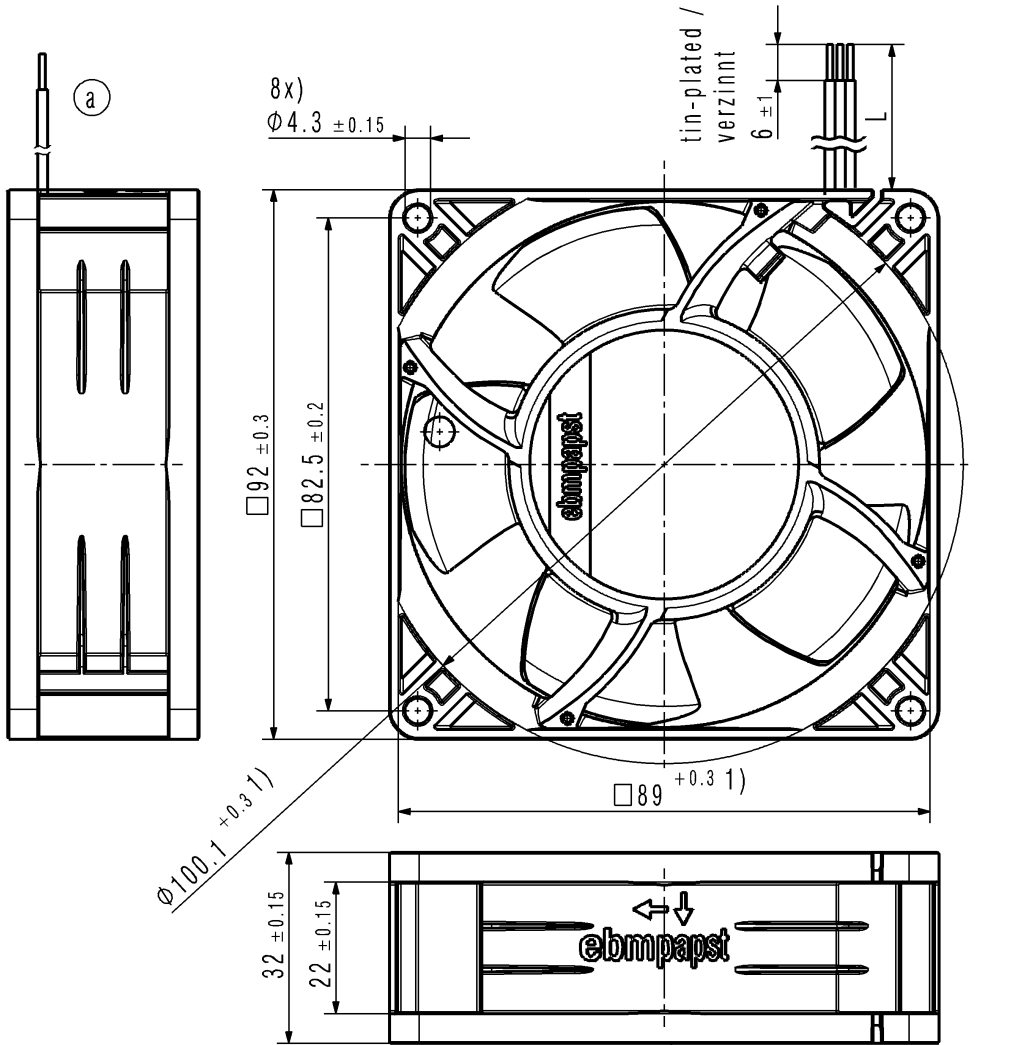
6 Reliability

6.1 General

| | | |
|--|-----------|--|
| Life expectancy L10 at TU = 40 °C | 77.500 h | |
| Life expectancy L10 at TU max. | 30.000 h | |
| Life expectancy L10 acc. to IPC 9591 at TU = 40 °C | 130.000 h | |

Copying of this document, and giving it others and the use or communication of the contents thereof, are forbidden without express authority. Offenders are liable to the payment of damages. All rights are reserved in the event of the grant of a patent or the registration of a utility model or design.

Schutzmerk nach DIN ISO 16016 beachten !
Refer to protection notice DIN ISO 16016 !



- 1) Maße für Montagewand / Dimensions for assembly wall
- Kein Axialspiel der Kugellager durch Federausgleich / no axial clearance of ball bearings due to a pre-load spring
 - Anzahl und Länge der Litzen siehe Produktspezifikation Blatt 1 / Number and length of the wires see design specification sheet 1

| | | | | | | | | | |
|--|--|-----------------------|--|---|--|-------------------------|--|--------------------------------------|--|
| SAP-Status/State | | Aend.-Nr./ Change-No. | | CATIA-System-Version/ CAD-Umgebung/ CATIA-System-Version/ CAD-Environment | | Werkstoff / Material: | | Volumen / Volume (mm ³): | |
| Tolerierung / Tolerances: | | 9293510100 CPR000A | | 3D-Referenzmodell / 3D-Referencemodel | | Artikel / Title: | | Gewicht / Mass (g): | |
| Allgemeintoleranzen / Gen. Tolerances: | | Datum | | Name | | Zchg.-Nr. / Drawing No: | | Ers.f.Zchg. / Replaces: | |
| ebmpapst | | Bearb./ Drawn | | Gepr./ Checked | | Freig./ Released | | Dokumenttyp / Type of Document | |
| ebm-papst St.Georgen GmbH & Co KG | | | | | | | | Teildokument (Blatt/Page) | |
| | | | | | | | | Index / Index | |
| | | | | | | | | Format / Size: | |
| | | | | | | | | Massstab/Scale | |