

**ebm-papst St. Georgen GmbH & Co. KG**

Hermann-Papst-Str. 1  
 D-78112 St. Georgen  
 Phone +49 (0) 7724 81-0  
 Fax +49 (0) 7724 81-1309  
 sales@fansco.com  
 www.fansco.com

**Nominal data**

Type	3254 JH	
Nominal voltage	VDC	24
Nominal voltage range	VDC	14 .. 26,4
Speed (rpm)	min <sup>-1</sup>	4100
Power consumption	W	7.0
Current draw	A	82
Min. ambient temperature	°C	-20
Max. ambient temperature	°C	70
Air flow	m <sup>3</sup> /h	140
Sound power level	B	5.8
Sound pressure level	dB(A)	46

ml = Max. load · me = Max. efficiency · fa = Free air · cs = Customer specification · ce = Customer equipment  
 Subject to change

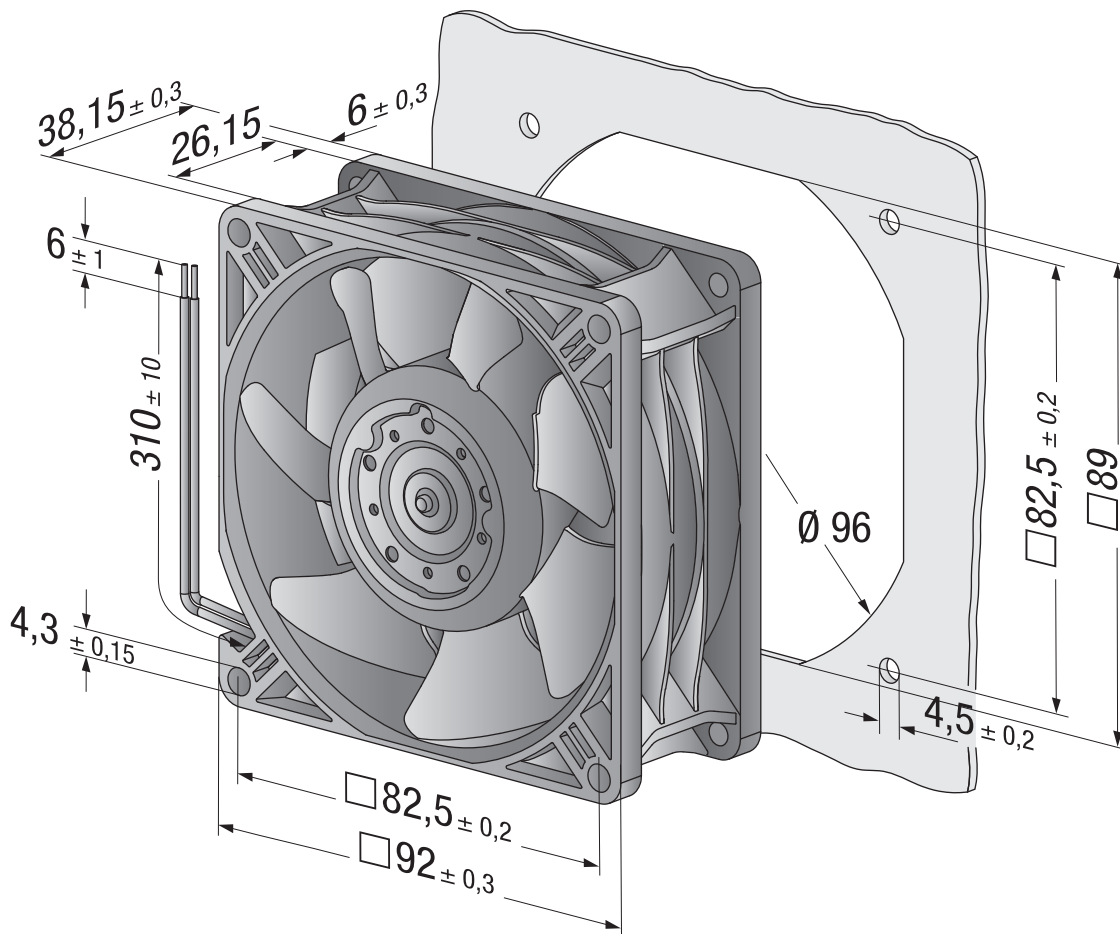


**Technical description**

<b>Weight</b>	0.24 kg
<b>Dimensions</b>	93 x 93 x 38 mm
<b>Airflow direction</b>	Exhaust over struts
<b>Direction of rotation</b>	Clockwise, viewed toward rotor
<b>Service life L10 at 40 °C</b>	100000 h
<b>Service life L10 at maximum temperature</b>	50000 h
<b>Cable</b>	With leads AWG 22, TR 64



Product drawing



Curves

