

Product Data Sheet 3214 J/2H4PU

ebmpapst

The engineer's choice



3214 J/2H4PU

INDEX

| | | |
|----------|------------------------------------|-----------|
| 1 | General | 3 |
| 2 | Mechanics | 3 |
| 2.1 | General..... | 3 |
| 2.2 | Connections..... | 3 |
| 3 | Operating Data | 4 |
| 3.1 | Electrical Interface - Input..... | 4 |
| 3.2 | Electrical Operating Data | 5 |
| 3.3 | Electrical Interface - Output..... | 6 |
| 3.4 | Electrical Features | 6 |
| 3.5 | Aerodynamics..... | 8 |
| 3.6 | Sound Data..... | 10 |
| 4 | Environment | 10 |
| 4.1 | General..... | 10 |
| 4.2 | Climatic Requirements | 10 |
| 4.3 | EMC | 10 |
| 5 | Safety | 12 |
| 5.1 | Electrical Safety | 12 |
| 5.2 | Approval Tests..... | 12 |
| 6 | Reliability | 12 |
| 6.1 | General..... | 12 |

1 General

| | | |
|-------------------------------------|------------------------|--|
| Fan type | Fan | |
| Rotating direction looking at rotor | Clockwise | |
| Airflow direction | Air outlet over struts | |
| Bearing system | Ball bearing | |
| Mounting position - shaft | Any | |

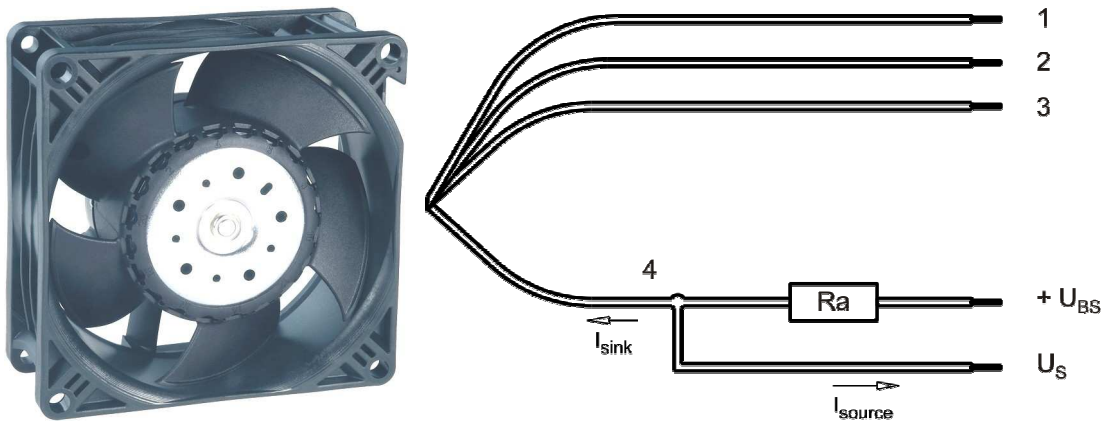
2 Mechanics

2.1 General

| | | |
|---|---|--|
| Width | 92,0 mm | |
| Height | 92,0 mm | |
| Depth | 38,0 mm | |
| Mass | 0,280 kg | |
| Housing material | Plastic | |
| Impeller material | Plastic | |
| Max. torque when mounted across both mounting flanges | Wire outlet corner: 30 Ncm Remaining corners: 30 Ncm | |
| Screw size | ISO 4762 - M4 degreased, without an additional brace and without washer | |

2.2 Connections

| | | |
|-----------------------|-------------|--|
| Electrical connection | Wires | |
| Lead wire length | L = 310 mm | |
| Tolerance | + - 10,0 mm | |



| Wire | Color | Operation | Wire size | Insulation diameter |
|------|--------|-----------|-----------|---------------------|
| 1 | red | + UB | AWG 22 | 1,30 mm |
| 2 | blue | - GND | AWG 22 | 1,30 mm |
| 3 | violet | PWM | AWG 22 | 1,30 mm |
| 4 | white | Tacho | | |

The auxiliaries shown on the schematic diagram (which are required for the intended use) are not part of our delivery.

3 Operating Data

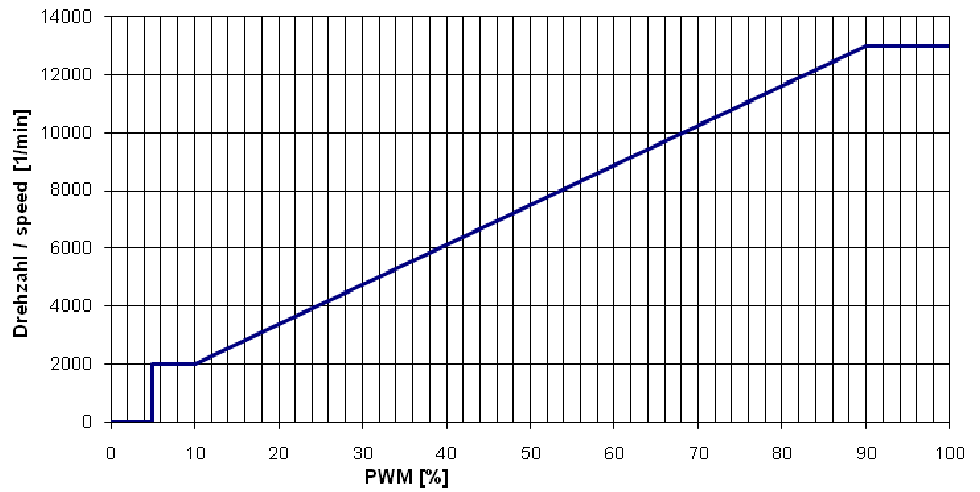
3.1 Electrical Interface - Input

| | |
|---------------|-----|
| Control input | PWM |
|---------------|-----|

Features

| | | |
|-----------------|----------------|---------------|
| Input type | Open collector | |
| PWM - Frequency | | 1 kHz - 5 kHz |

Characteristics



Lüfter / Fan

Kunde / Customer

Schematics

3.2 Electrical Operating Data

Measurement conditions: Normal air density = 1,2 kg/m³; Temperature 23°C +/- 3°C; Motor axis horizontal; warm-up time before measuring 5 minutes (unless otherwise specified). In the intake and outlet area should not be any solid obstruction within 0,5 m.

$\Delta p = 0$: corresp. to free air flow (see chapter aerodynamics)

I: corresp. to arithm. mean current value

| Name | Condition | | |
|----------|-------------|----------|----------|
| PWM 0001 | PWM: 100 %; | f: 1 kHz | f: 5 kHz |

| Features | Condition | Symbol | Values | | |
|------------------------------|----------------|--------|-------------|--------------|--------------|
| Voltage range | | U | 12 V | | 27,6 V |
| Nominal voltage | | U_N | | 24 V | |
| Power consumption | $\Delta p = 0$ | | 12 W | 50 W | 50 W |
| Tolerance | PWM 0010 | P | +/- 17,5 % | +/- 17,5 % | +/- 25 % |
| Current consumption | $\Delta p = 0$ | | 1.000 mA | 2.100 mA | 1.800 mA |
| Tolerance | PWM 0010 | I | +/- 17,5 % | +/- 17,5 % | +/- 25 % |
| Speed | $\Delta p = 0$ | | 7.800 1/min | 13.000 1/min | 13.000 1/min |
| Tolerance | PWM 0010 | n | +/- 12,5 % | +/- 7,5 % | +/- 3 % |
| Starting current consumption | | | | 6.500 mA | |

3.3 Electrical Interface - Output

| | |
|------------|---------------------|
| Tacho type | /2 (open collector) |
|------------|---------------------|

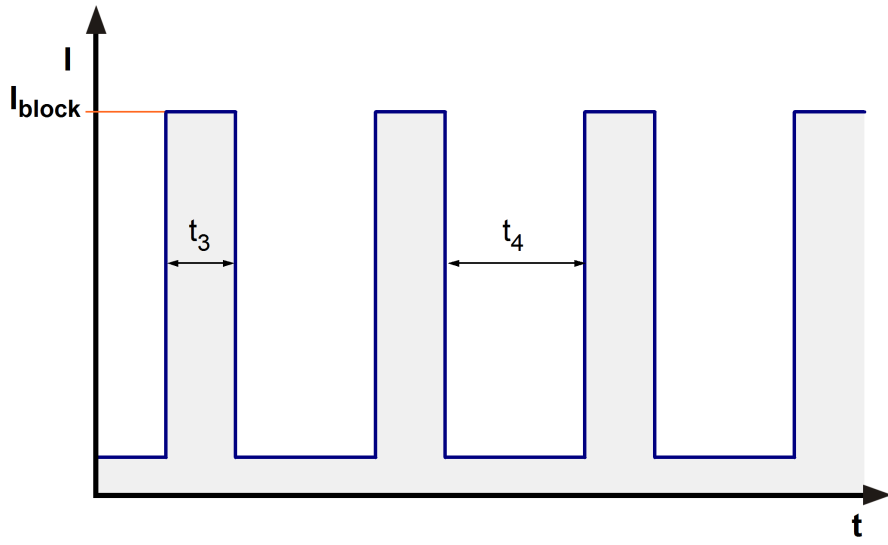


| Features | Note | Values |
|---------------------------|--|-------------------------------|
| Tacho operating voltage | U_{BS} | $\leq 60\text{ V}$ |
| Tacho signal Low | $U_{S\ low}$ | $\leq 0,4\text{ V}$ |
| Tacho signal High | $U_{S\ high}$ | $\leq 60\text{ V}$ |
| Maximum sink current | I_{sink} | $\leq 4\text{ mA}$ |
| External resistor | External resistor R_a from U_{BS} to U_S required. All voltages measured to GND. | |
| Tacho frequency | $(2 \times n) / 60$ | |
| Tacho isolated from motor | No | |
| Slew rate | | $\Rightarrow 0,5\text{ V/us}$ |

n = revolutions per minute (1/min)

3.4 Electrical Features

| | | |
|--------------------------------|-----------------------------------|--|
| Electronic function | Speed-Controlled | |
| Reversed polarity protection | Rectifying diode | |
| Max. residual current at U_N | $I_F \leq 300\text{ uA}$ | |
| Locked rotor protection | Auto restart | |
| Locked rotor current at U_N | I_{block} approx. 6.500 mA | |
| Clock signal at locked rotor | t_3 / t_4 typical: 0,5 s / 10 s | |

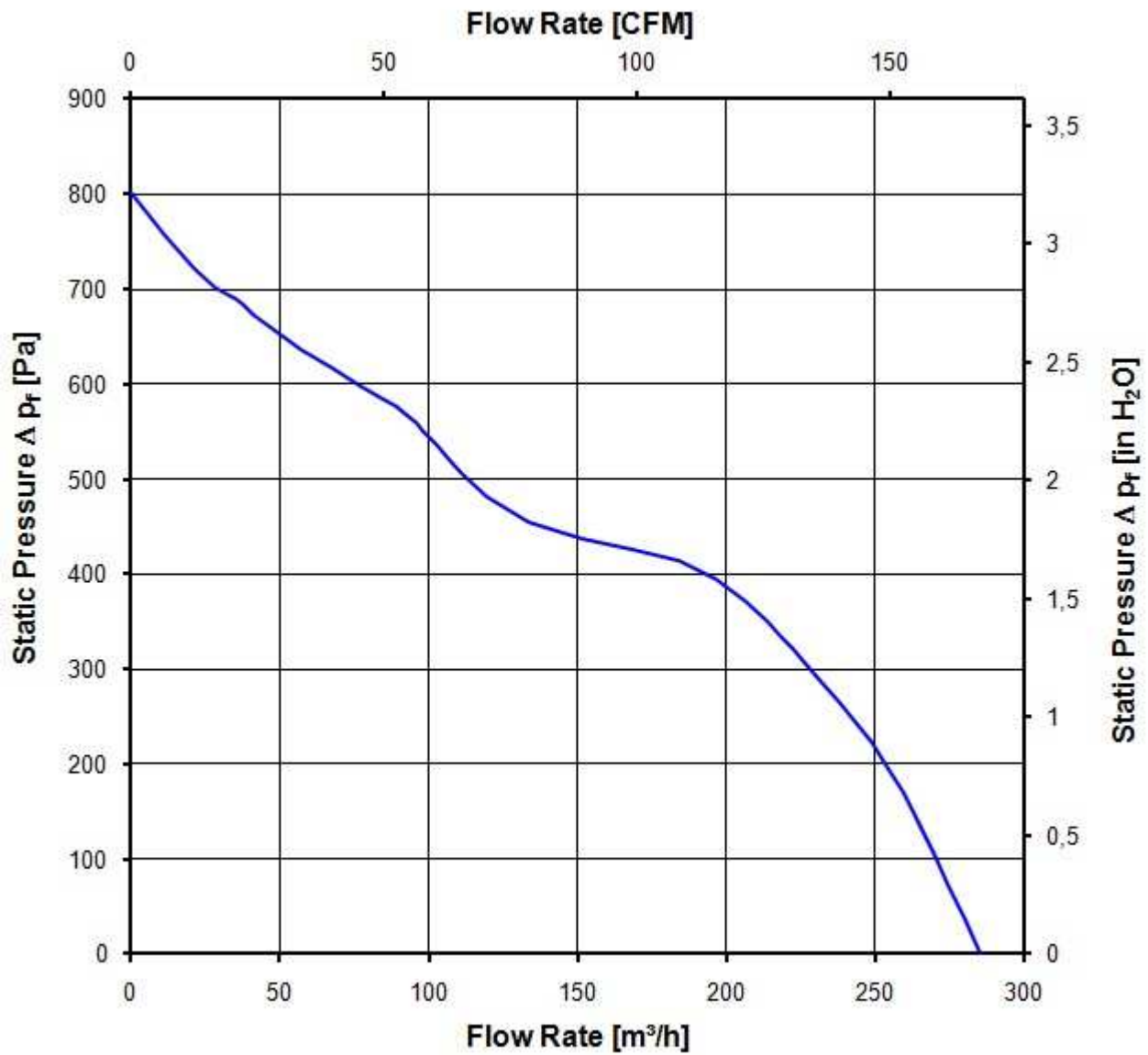


3.5 Aerodynamics

Measurement conditions: Measured with a double chamber intake rig acc. to DIN EN ISO 5801.
 Normal air density = 1,2 kg/m³; Temperature 23°C +/- 3°C;
 In the intake and outlet area should not be any solid obstruction within 0,5 m. Motor shaft horizontal.
 The information is only valid under the specified test conditions and may be changed by the installation conditions. If there are deviations from the standard test conditions, the characteristic values must be checked under the installed conditions.

a.) Operation condition:

| | | | |
|---|-------------------------|----------|----------|
| 13.000 1/min at free air flow | PWM 100 %; | f: 1 kHz | f: 5 kHz |
| Max. free-air flow ($\Delta p = 0 / \dot{V} = \max.$) | 285,0 m ³ /h | | |
| Max. static pressure ($\Delta p = \max. / \dot{V} = 0$) | 800 Pa | | |



3.6 Sound Data

Measurement conditions: Sound pressure level: 1 meter distance between microphone and the air intake.
 Sound power level: Acc. to DIN 45635 part 38 (ISO 10302)
 Measured in a semianchoic chamber with a background noise level of $L_p(A) < 5 \text{ dB(A)}$
 For further measurement conditions see chapter aerodynamics.

a.) Operation condition:

| | | | |
|-------------------------------|------------|----------|----------|
| 13.000 1/min at free air flow | PWM 100 %; | f: 1 kHz | f: 5 kHz |
|-------------------------------|------------|----------|----------|

| | | |
|---|----------------------------------|--|
| Optimal operating point | 190,0 m ³ /h @ 374 Pa | |
| Sound power level at the optimal operating point | 8,0 bel(A) | |
| Sound pressure level at free air flow, measured in rubber bands | 76,0 dB(A) | |

4 Environment

4.1 General

| | | |
|--|--------|--|
| Min. permitted ambient temperature TU min. | -20 °C | |
| Max. permitted ambient temperature TU max. | 70 °C | |
| Min. permitted storage temperature TL min. | -40 °C | |
| Max. permitted storage temperature TL max. | 80 °C | |

4.2 Climatic Requirements

| | | |
|-----------------------|---|--|
| Humidity requirements | humid temperature, cyclic; according to DIN EN 60068-2-38, 10 cycle and condensation water check; according to DIN EN ISO 6270-2, 14 days | |
| Water exposure | Splash water check IPX4; according to DIN EN 60529 VDE 0470, not certified | |
| Dust requirements | Dust check IP5X; according to DIN EN 60529 VDE 0470, not certified | |
| Salt fog requirements | salt fog, cyclic, in operation; according to DIN EN 60068-2-52, 3 cycle | |

Permitted application area:

The product is for the use in open and unsheltered areas. Direct exposure to water as well as saline ambient conditions are allowed provided that this does not prevent the normal operation.

Pollution degree 3 (according DIN EN 60664-1)

It occurs conductive pollution or dry non-conductive pollution which becomes conductive due to condensation.

Please require severity levels and specification parameters from the responsible development departments.

4.3 EMC

| | |
|------|--------------------------------------|
| Kind | Radiated Emission; 30 MHz - 1000 MHz |
|------|--------------------------------------|

| | |
|------------------------|----------------------|
| Accordinging | DIN EN 55032:2016-02 |
| Check accuracy / Limit | Class B |
| Result | Below limit Class B |

| | |
|------------------------|--|
| Kind | Electrostatic Discharge Immunity Test |
| Accordinging | DIN EN 61000-4-2:2001-12 |
| Check accuracy / Limit | Contact Discharge +/- 4 kV; Air Discharge +/- 8 kV |
| Result | B: The monitored function may deviate from designed performance to a specified level during exposure to a disturbance or revert to a fail safe mode or operation, but shall return to normal operation after the disturbance is removed. |

5 Safety

5.1 Electrical Safety

| | | |
|--|------------------|--|
| Dielectric strength DIN EN 60950 (VDE 0805) and DIN EN 60335 (VDE 0700) A.) Type test Measuring conditions: After 48h of storage at 95% R.H. and 25°C. No arcing or breakdown is allowed! All connections together to ground. | 500 VAC / 1 Min. | |
| B.) Routine test Measuring conditions: At indoor climate. No arcing or breakdown is allowed! All connections together to ground. | 850 VDC / 1 Sec. | |
| Isolation resistance Measuring conditions: After 48h of storage at 95% R.H. and 25°C measured with U=500 VDC for 1 min. | RI > 10 MOhm | |
| Clearance / creepage distance | 1,0 mm / 1,2 mm | |
| Protection class | III | |

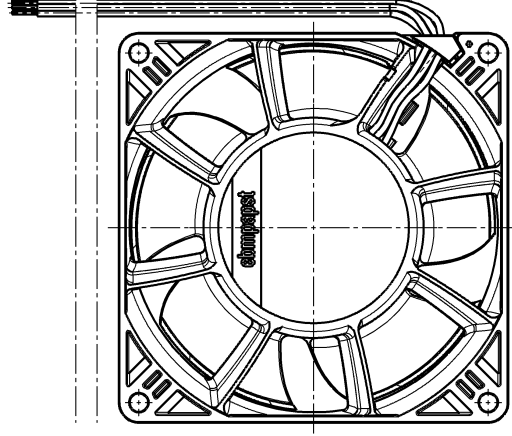
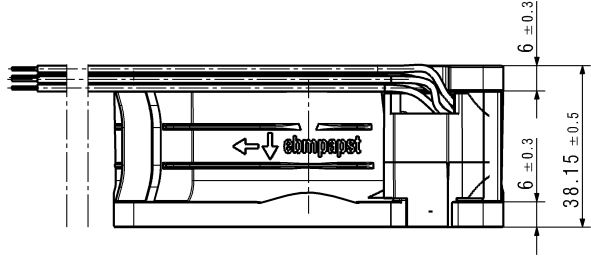
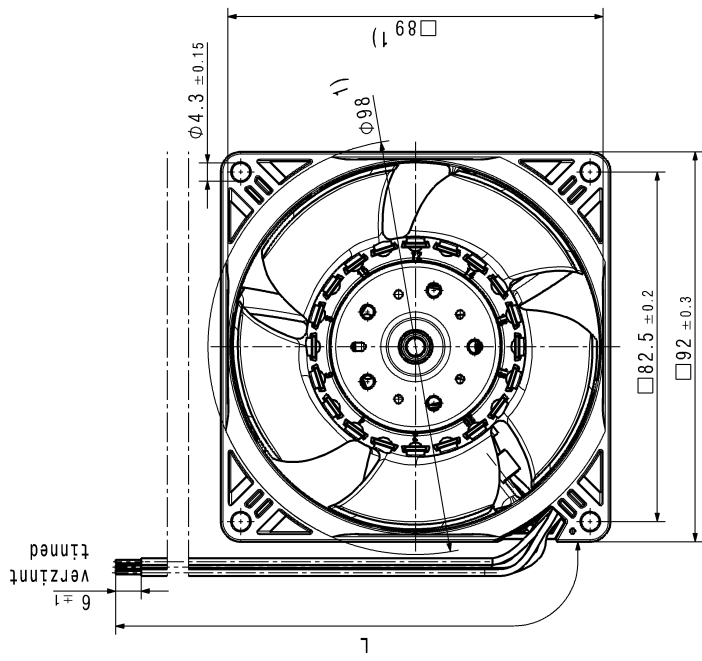
5.2 Approval Tests

| | | |
|-----|---|---|
| CE | EC Declaration of Conformity | Yes |
| EAC | Eurasian Conformity | Yes |
| UL | Underwriters Laboratories | Yes / UL507, Electric Fans |
| VDE | Association for Electrical, Electronic and Information Technologies | Yes / Approval acc. to EN 60950 (VDE 0805) - Information technology equipment |
| CSA | Canadian Standards Association | Yes / C22.2 No. 113 Fans and Ventilators |
| CCC | China Compulsory Certification | Not applicable |

6 Reliability

6.1 General

| | | |
|--|-----------|--|
| Life expectancy L10 at TU = 40 °C | 60.000 h | |
| Life expectancy L10 at TU max. | 30.000 h | |
| Life expectancy L10 acc. to IPC 9591 at TU = 40 °C | 102.500 h | |



- 1) Maße für Montagewand
- 1) dimension for worktop mounting
- Anzahl und Länge der Litzen siehe Produktspezifikation
number and length of the wires, look at the product specification
- Kein Axialspiel bei Kugellager durch Federausgleich
no axial clearance of ball bearings conditional on a pre-load spring

| | | | | | | | | | | | |
|---|---------------------------|--|---|------------------------------|-----------------------------|----------|--|------------------------|--|---------------------|--|
| BP-Status/Status | Prod. Nr. / Change No. | DATA System-Version / DATA-System-Version | CD-Modell / CAD-Environment | Hersteller / Manufacturer | Volumen / Volume (in 3D) | | | | | | |
| | | SP-Referenzmodell / SP-Reference Model | SP-Referenzmodell / SP-Reference Model | Artikel / Title | Spez. / Spec. (in 3D) | | | | | | |
| Toleranz / Tolerance | Abm. / Dim. | Datum | Name | Zug. Nr. / Drawing No. | Form / Form (in 3D) | | | | | | |
| Abm. / Dim. | Abm. / Dim. | Abm. / Dim. | Abm. / Dim. | Abm. / Dim. | Abm. / Dim. | | | | | | |
| Allgemeinform. / General Information | | | <table border="1"> <tr> <td colspan="2">ebmpapst</td> <td colspan="2">Form / Form (in 3D)</td> <td colspan="2">Massstab / Scale</td> </tr> </table> | | | ebmpapst | | Form / Form (in 3D) | | Massstab / Scale | |
| ebmpapst | | Form / Form (in 3D) | | Massstab / Scale | | | | | | | |
| ebmpapst SE Georgsmarienhütte & Co. AG | | | | | | | | | | | |