

**ebm-papst St. Georgen GmbH & Co. KG**

Hermann-Papst-Str. 1

D-78112 St. Georgen

Phone +49 (0) 7724 81-0

Fax +49 (0) 7724 81-1309

sales@fansco.com

www.fansco.com

Nominal data

Type	255 H	
Nominal voltage	VDC	5
Nominal voltage range	VDC	4.5 .. 5.5
Speed (rpm)	min ⁻¹	12000
Power consumption	W	0.6
Min. ambient temperature	°C	-10
Max. ambient temperature	°C	55
Air flow	m ³ /h	4.6
Sound power level	B	4.4
Sound pressure level	dB(A)	23

ml = Max. load · me = Max. efficiency · fa = Free air · cs = Customer specification · ce = Customer equipment
 Subject to change

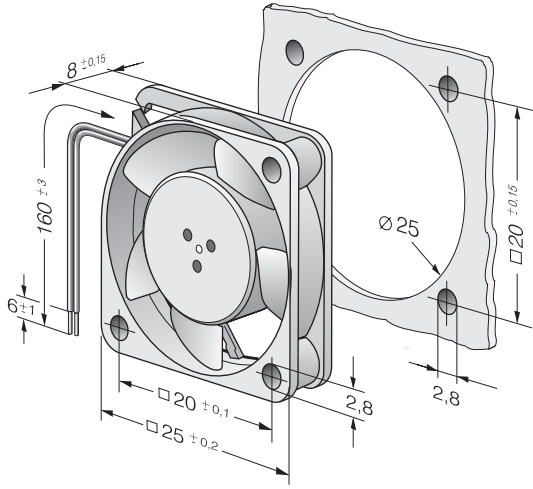


Technical description

Weight	0.005 kg
Dimensions	25 x 25 x 8 mm
Impeller material	Glass-fiber reinforced PA plastic
Housing material	Glass-fiber reinforced PBT plastic
Airflow direction	Exhaust over struts
Direction of rotation	Counterclockwise, viewed toward rotor
Storage	Sintec sleeve bearing system
Service life L10 at 20 °C	35000 h
Service life L10 at 60 °C	15000 h
Cable	Leads AWG 28, TR 64, stripped and tin-plated.
Motor protection	Protection against reverse polarity and blocked rotor.
Approval	VDE, CSA, UL, CE
Option	Possible custom designs; Speed signal Moisture protection



Product drawing



Curves: Air performance

