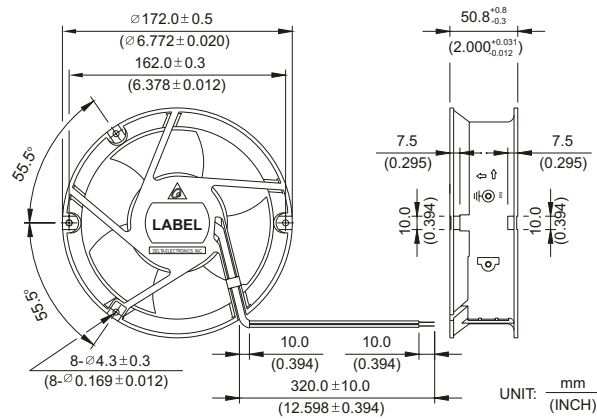


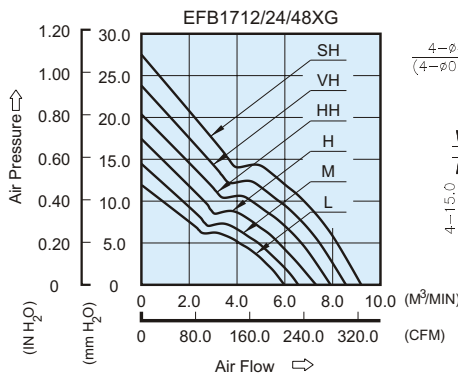
# EFB $\varnothing 172 \times 50.8$ MM SERIES

## DIMENSIONS DRAWING

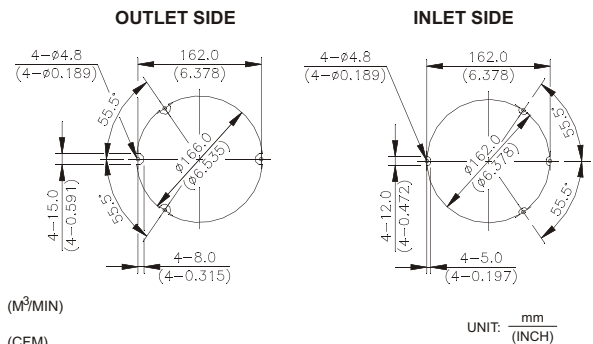


- \* Bearing Type  
Ball Bearings
- \* Material  
Impeller : Plastic (UL 94V-0)  
Frame : Die-Cast Aluminum
- \* Lead Wires :  
UL 1007 AWG #24 OR Equivalent  
Red Wire Positive (+)  
Black Wire Negative (-)
- \* Weight : 840g (29.62 oz)

## P & Q CURVE (AT RATED VOLTAGE)



## MOUNTING PANEL CUTOUT



| MODEL      |             | Rated Voltage | Operating Voltage Range | Rated Current | Rated Input Power | Speed  | Maximum Air Flow    |        | Maximum Air Pressure |                     | Noise |
|------------|-------------|---------------|-------------------------|---------------|-------------------|--------|---------------------|--------|----------------------|---------------------|-------|
| PART NO.   | FUNCTION    | VDC           | VDC                     | Amp           | Watt              | R.P.M. | m <sup>3</sup> /min | CFM    | mmH <sub>2</sub> O   | IN H <sub>2</sub> O | dB-A  |
| EFB1712LG  | -R00 / -F00 | 12            | 8.0 to 14.0             | 0.79          | 9.48              | 2800   | 5.950               | 210.12 | 11.90                | 0.469               | 48.0  |
| EFB1724LG  | -R00 / -F00 | 24            | 12.0 to 28.0            | 0.39          | 9.36              |        |                     |        |                      |                     |       |
| EFB1748LG  | -R00 / -F00 | 48            | 24.0 to 60.0            | 0.19          | 9.12              |        |                     |        |                      |                     |       |
| EFB1712MG  | -R00 / -F00 | 12            | 8.0 to 14.0             | 0.99          | 11.88             | 3050   | 6.520               | 230.25 | 14.50                | 0.571               | 50.0  |
| EFB1724MG  | -R00 / -F00 | 24            | 12.0 to 28.0            | 0.47          | 11.28             |        |                     |        |                      |                     |       |
| EFB1748MG  | -R00 / -F00 | 48            | 24.0 to 60.0            | 0.25          | 12.00             |        |                     |        |                      |                     |       |
| EFB1712HG  | -R00 / -F00 | 12            | 8.0 to 14.0             | 1.35          | 16.20             | 3350   | 7.130               | 251.79 | 17.49                | 0.689               | 53.0  |
| EFB1724HG  | -R00 / -F00 | 24            | 12.0 to 28.0            | 0.56          | 13.44             |        |                     |        |                      |                     |       |
| EFB1748HG  | -R00 / -F00 | 48            | 24.0 to 60.0            | 0.31          | 14.88             |        |                     |        |                      |                     |       |
| EFB1712HHG | -R00 / -F00 | 12            | 8.0 to 14.0             | 1.79          | 21.48             | 3700   | 7.920               | 279.69 | 20.30                | 0.800               | 55.0  |
| EFB1724HHG | -R00 / -F00 | 24            | 12.0 to 28.0            | 0.77          | 18.48             |        |                     |        |                      |                     |       |
| EFB1748HHG | -R00 / -F00 | 48            | 24.0 to 60.0            | 0.38          | 18.24             |        |                     |        |                      |                     |       |
| EFB1724VHG | -R00 / -F00 | 24            | 12.0 to 28.0            | 0.97          | 23.28             | 4000   | 8.560               | 302.29 | 23.80                | 0.937               | 57.0  |
| EFB1748VHG | -R00 / -F00 | 48            | 24.0 to 60.0            | 0.49          | 23.52             |        |                     |        |                      |                     |       |
| EFB1724SHG | -R00 / -F00 | 24            | 12.0 to 28.0            | 1.17          | 28.08             | 4300   | 9.203               | 325.00 | 27.5                 | 1.083               | 59.0  |

\* Function type is optional.  
 \* The max. air flow and the speed are measured in free air ; max. air pressure is measured at zero air flow.  
 \* Noise is measured in anechoic chamber in free air, one meter from intake side.  
 \* All readings are typical values at rated voltage.  
 \* Specifications are subject to change without notice.