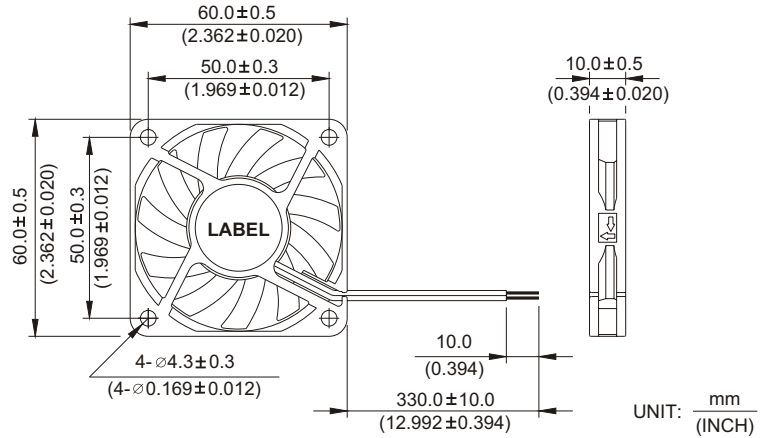


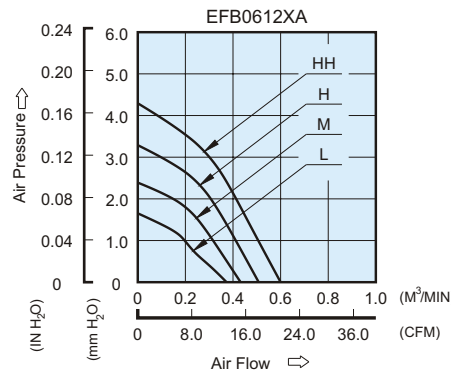
EFB 60 x 60 x 10 MM SERIES

DIMENSIONS DRAWING

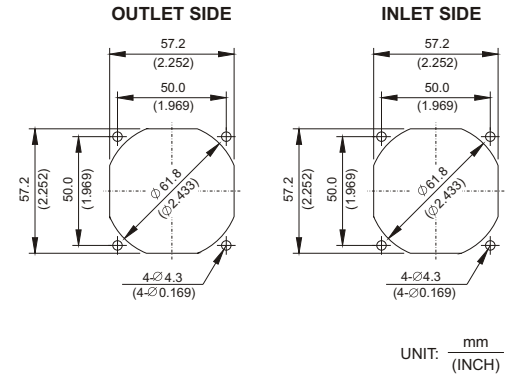


- * Bearing Type
Ball Bearings
- * Material
Impeller & Frame : Plastic (UL 94V-0)
- * Lead Wires :
UL 2468 AWG #28 Or Equivalent
Red Wire Positive (+)
Black Wire Negative (-)
- * Weight : 28g (0.99 oz)
- * Rib Type Only

P & Q CURVE (AT RATED VOLTAGE)



MOUNTING PANEL CUTOUT



MODEL		Rated Voltage	Operating Voltage Range	Rated Current	Rated Input Power	Speed	Maximum Air Flow		Maximum Air Pressure		Noise
PART NO.	FUNCTION	VDC	VDC	Amp	Watt	R.P.M.	m ³ /min	CFM	mmH ₂ O	IN H ₂ O	dB-A
EFB0612LA	-R00 / -F00	12	7.0 to 13.8	0.07	0.84	3000	0.380	13.42	1.65	0.065	24.5
EFB0612MA	-R00 / -F00	12	7.0 to 13.8	0.08	0.96	3600	0.440	15.54	2.40	0.094	29.0
EFB0612HA	-R00 / -F00	12	7.0 to 13.8	0.12	1.44	4200	0.510	18.01	3.35	0.132	33.0
EFB0612HHA	-R00 / -F00	12	7.0 to 13.8	0.18	2.16	4800	0.600	21.19	4.30	0.169	36.5

- * Function type is optional.
- * The max. air flow and the speed are measured in free air ; max. air pressure is measured at zero air flow.
- * Noise is measured in anechoic chamber in free air, one meter from intake side.
- * All readings are typical values at rated voltage.
- * Specifications are subject to change without notice.
- * Both of the ball bearing and the 1 ball + 1 Sleeve type are available.