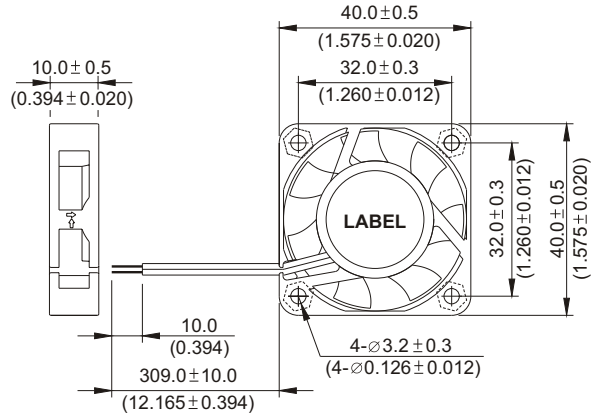


New



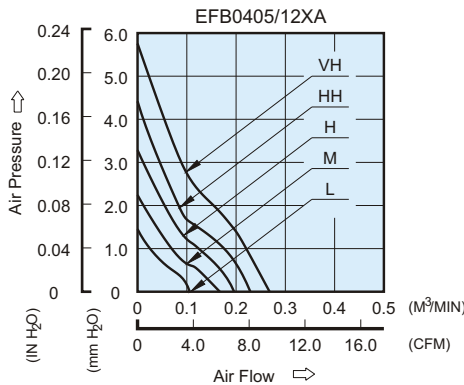
# EFB 40 x 40 x 10 MM SERIES

## DIMENSIONS DRAWING

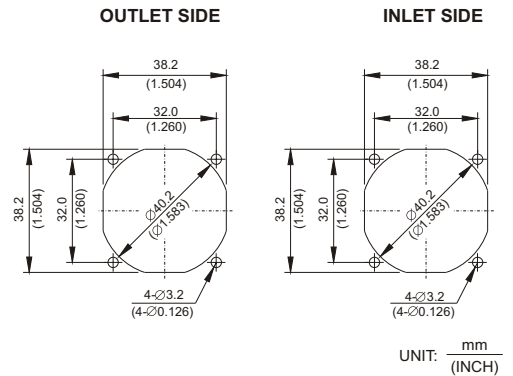


- \* Bearing Type  
Ball Bearings
- \* Material  
Impeller & Frame : Plastic(UL 94V-0)
- \* Lead Wires :  
UL 1007 AWG #28 OR Equivalent  
Red Wire Positive(+)  
Black Wire Negative(-)
- \* Weight : 14.5g (0.51 OZ)
- \* Rib Type Only

## P & Q CURVE (AT RATED VOLTAGE)



## MOUNTING PANEL CUTOUT



MODEL		Rated Voltage	Operating Voltage Range	Rated Current	Rated Input Power	Speed	Maximum Air Flow		Maximum Air Pressure		Noise
PART NO.	FUNCTION	VDC	VDC	Amp	Watt	R.P.M.	M <sup>3</sup> /min	CFM	mmH <sub>2</sub> O	IN H <sub>2</sub> O	dB-A
EFB0405LA	-R00 / -F00	5	4.5 to 5.5	0.07	0.35	4000	0.106	3.74	1.45	0.057	20.5
EFB0412LA	-R00 / -F00	12	7.0 to 13.8	0.05	0.60						
EFB0405MA	-R00 / -F00	5	4.5 to 5.5	0.10	0.50	5000	0.167	5.90	2.24	0.088	24.5
EFB0412MA	-R00 / -F00	12	7.0 to 13.8	0.06	0.72						
EFB0405HA	-R00 / -F00	5	4.5 to 5.5	0.13	0.65	6000	0.196	6.92	3.28	0.129	28.5
EFB0412HA	-R00 / -F00	12	7.0 to 13.8	0.08	0.96						
EFB0405HHA	-R00 / -F00	5	4.5 to 5.5	0.19	0.95	7000	0.229	8.09	4.42	0.174	33.0
EFB0412HHA	-R00 / -F00	12	7.0 to 13.8	0.10	1.20						
EFB0412VHA	-R00 / -F00	12	7.0 to 13.8	0.15	1.80	8000	0.268	9.46	5.76	0.227	37.5

\* Function type is optional.  
 \* The max. air flow and the speed are measured in free air ; max. air pressure is measured at zero air flow.  
 \* Noise is measured in anechoic chamber in free air, one meter from intake side.  
 \* All readings are typical values at rated voltage.  
 \* Specifications are subject to change without notice.