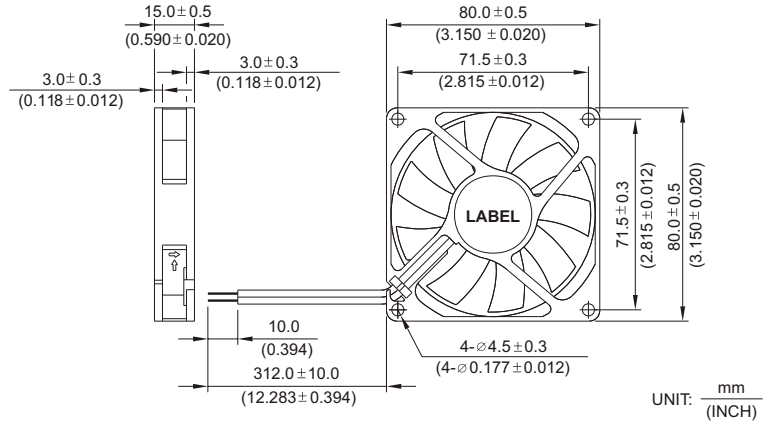


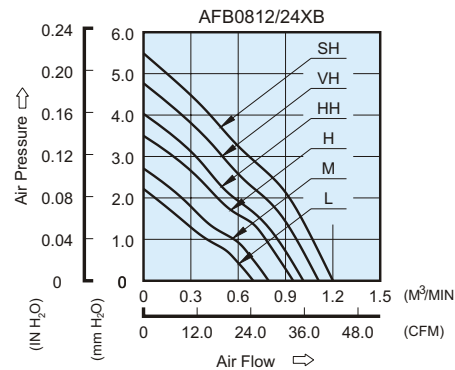
# AFB 80 x 80 x 15 MM SERIES

## DIMENSIONS DRAWING

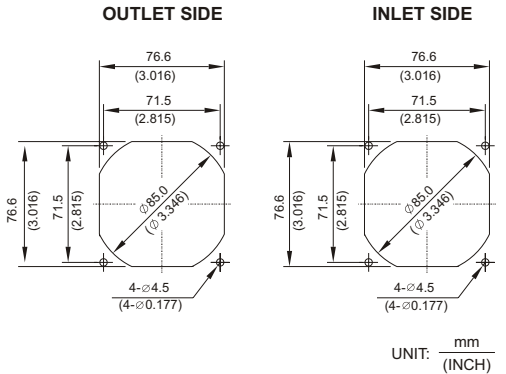


- \* Bearing Type  
Ball Bearings
- \* Material  
Impeller & Frame : Plastic (UL 94V-0)
- \* Lead Wires :  
UL 1007 AWG #24 Or Equivalent  
Red Wire Positive (+)  
Black Wire Negative (-)
- \* Weight : 58g (2.05 oz)
- \* Rib Type Only

## P & Q CURVE (AT RATED VOLTAGE)



## MOUNTING PANEL CUTOUT



| MODEL      |             | Rated Voltage | Operating Voltage Range | Rated Current | Rated Input Power | Speed  | Maximum Air Flow    |       | Maximum Air Pressure |                     | Noise |
|------------|-------------|---------------|-------------------------|---------------|-------------------|--------|---------------------|-------|----------------------|---------------------|-------|
| PART NO.   | FUNCTION    | VDC           | VDC                     | Amp           | Watt              | R.P.M. | m <sup>3</sup> /min | CFM   | mmH <sub>2</sub> O   | IN H <sub>2</sub> O | dB-A  |
| AFB0812LB  | -R00 / -F00 | 12            | 7.0 to 13.8             | 0.09          | 1.08              | 2400   | 0.700               | 24.72 | 2.20                 | 0.087               | 27.5  |
| AFB0824LB  | -R00 / -F00 | 24            | 14.0 to 27.6            | 0.05          | 1.20              |        |                     |       |                      |                     |       |
| AFB0812MB  | -R00 / -F00 | 12            | 7.0 to 13.8             | 0.11          | 1.32              | 2700   | 0.800               | 28.25 | 2.71                 | 0.107               | 30.5  |
| AFB0824MB  | -R00 / -F00 | 24            | 14.0 to 27.6            | 0.06          | 1.44              |        |                     |       |                      |                     |       |
| AFB0812HB  | -R00 / -F00 | 12            | 7.0 to 13.8             | 0.14          | 1.68              | 3100   | 0.950               | 33.55 | 3.50                 | 0.138               | 34.0  |
| AFB0824HB  | -R00 / -F00 | 24            | 14.0 to 27.6            | 0.08          | 1.92              |        |                     |       |                      |                     |       |
| AFB0812HHB | -R00 / -F00 | 12            | 7.0 to 13.8             | 0.16          | 1.92              | 3400   | 1.010               | 35.67 | 4.03                 | 0.159               | 37.0  |
| AFB0824HHB | -R00 / -F00 | 24            | 14.0 to 27.6            | 0.10          | 2.40              |        |                     |       |                      |                     |       |
| AFB0812VHB | -R00 / -F00 | 12            | 7.0 to 13.8             | 0.19          | 2.28              | 3700   | 1.110               | 39.20 | 4.77                 | 0.188               | 39.5  |
| AFB0824VHB | -R00 / -F00 | 24            | 14.0 to 27.6            | 0.12          | 2.88              |        |                     |       |                      |                     |       |
| AFB0812SHB | -R00 / -F00 | 12            | 7.0 to 13.8             | 0.27          | 3.24              | 4000   | 1.210               | 42.73 | 5.49                 | 0.216               | 42.5  |
| AFB0824SHB | -R00 / -F00 | 24            | 14.0 to 26.0            | 0.17          | 4.08              |        |                     |       |                      |                     |       |

\* Function type is optional.  
 \* The max. air flow and the speed are measured in free air ; max. air pressure is measured at zero air flow.  
 \* Noise is measured in anechoic chamber in free air, one meter from intake side.  
 \* All readings are typical values at rated voltage.  
 \* Specifications are subject to change without notice.