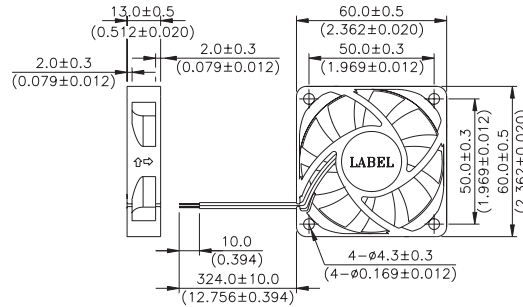


AFB 60 x 60 x 13 MM SERIES

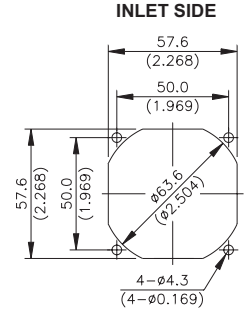
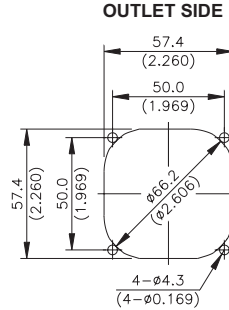
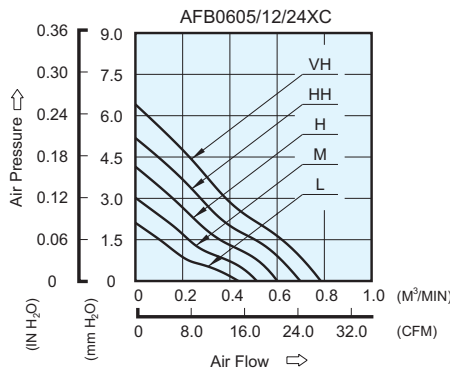
DIMENSIONS DRAWING



UNIT: $\frac{\text{mm}}{\text{(INCH)}}$

P & Q CURVE (AT RATED VOLTAGE)

MOUNTING PANEL CUTOUT



UNIT: $\frac{\text{mm}}{\text{(INCH)}}$

- * Bearing Type : Ball Bearings
- * Material : Impeller & Frame : Plastic(UL 94V-0)
- * Lead Wires : UL 2468 AWG #28 Or Equivalent Red Wire Positive(+)
Black Wire Negative(-)
- * Weight : 33.5g (1.18 OZ)
- * Rib Type Only

| MODEL | | Rated Voltage | Operating Voltage Range | Rated Current | Rated Input Power | Speed | Maximum Air Flow | | Maximum Air Pressure | | Noise |
|------------|-------------|---------------|-------------------------|---------------|-------------------|--------|---------------------|-------|----------------------|---------------------|-------|
| PART NO. | FUNCTION | VDC | VDC | Amp | Watt | R.P.M. | M ³ /min | CFM | mmH ₂ O | IN H ₂ O | dB-A |
| AFB0605LC | -R00 / -F00 | 5 | 4.5 to 5.5 | 0.12 | 0.60 | 3000 | 0.436 | 15.40 | 2.11 | 0.083 | 24.0 |
| AFB0612LC | -R00 / -F00 | 12 | 7.0 to 13.8 | 0.08 | 0.96 | | | | | | |
| AFB0624LC | -R00 / -F00 | 24 | 14.0 to 27.6 | 0.05 | 1.20 | | | | | | |
| AFB0605MC | -R00 / -F00 | 5 | 4.5 to 5.5 | 0.18 | 0.90 | 3600 | 0.514 | 18.15 | 3.02 | 0.119 | 28.0 |
| AFB0612MC | -R00 / -F00 | 12 | 7.0 to 13.8 | 0.11 | 1.32 | | | | | | |
| AFB0624MC | -R00 / -F00 | 24 | 14.0 to 27.6 | 0.06 | 1.44 | | | | | | |
| AFB0605HC | -R00 / -F00 | 5 | 4.5 to 5.5 | 0.29 | 1.45 | 4200 | 0.601 | 21.22 | 4.15 | 0.163 | 31.5 |
| AFB0612HC | -R00 / -F00 | 12 | 7.0 to 13.8 | 0.14 | 1.68 | | | | | | |
| AFB0624HC | -R00 / -F00 | 24 | 14.0 to 27.6 | 0.07 | 1.68 | | | | | | |
| AFB0612HHC | -R00 / -F00 | 12 | 7.0 to 13.8 | 0.20 | 2.40 | 4800 | 0.698 | 24.65 | 5.19 | 0.204 | 35.0 |
| AFB0624HHC | -R00 / -F00 | 24 | 14.0 to 27.6 | 0.09 | 2.16 | | | | | | |
| AFB0612VHC | -R00 / -F00 | 12 | 7.0 to 13.8 | 0.24 | 2.88 | 5400 | 0.785 | 27.72 | 6.41 | 0.252 | 38.0 |
| AFB0624VHC | -R00 / -F00 | 24 | 14.0 to 27.6 | 0.12 | 2.88 | | | | | | |

* Function type is optional.
 * The max. air flow and the speed are measured in free air ; max. air pressure is measured at zero air flow.
 * Noise is measured in anechoic chamber in free air, one meter from intake side.
 * All readings are typical values at rated voltage.
 * Specifications are subject to change without notice.
 * Both of the ball bearing and the 1 ball + 1 Sleeve type are available.